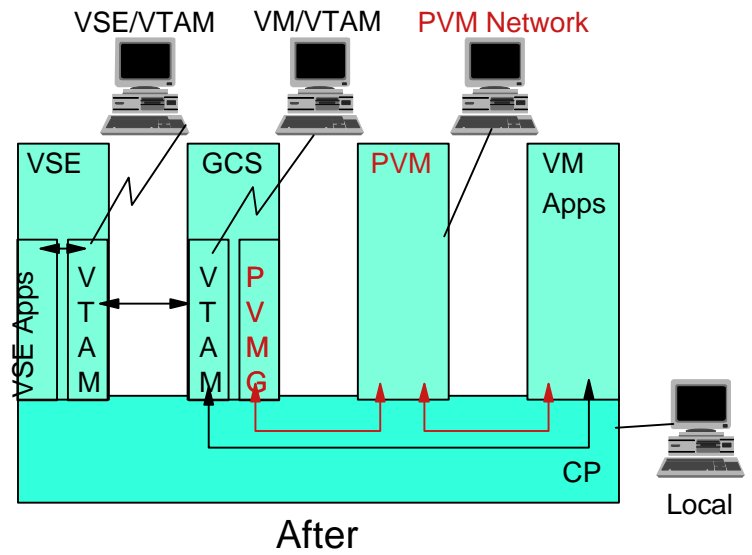
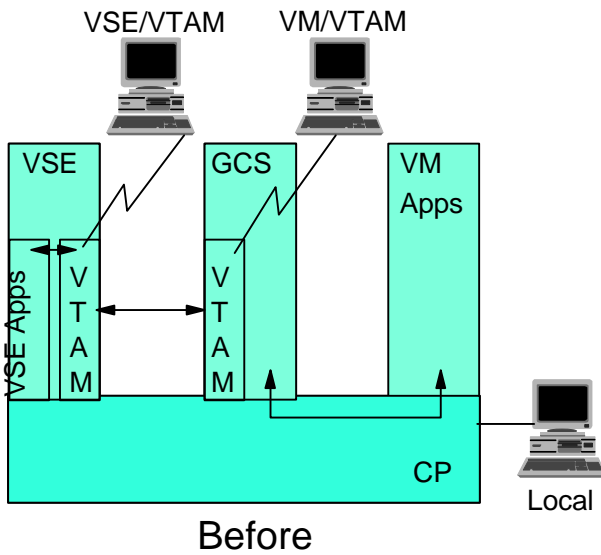


Value of VTAM and PVMG with VSE Guests



Environment:

- VM/ESA with VTAM
- VSE guests with VTAM

Value of VTAM:

- Any terminal can access either VSE applications or VM applications (Terminal connection VM local, VM/VTAM, or VSE/VTAM)
- LU 6.2 Communication

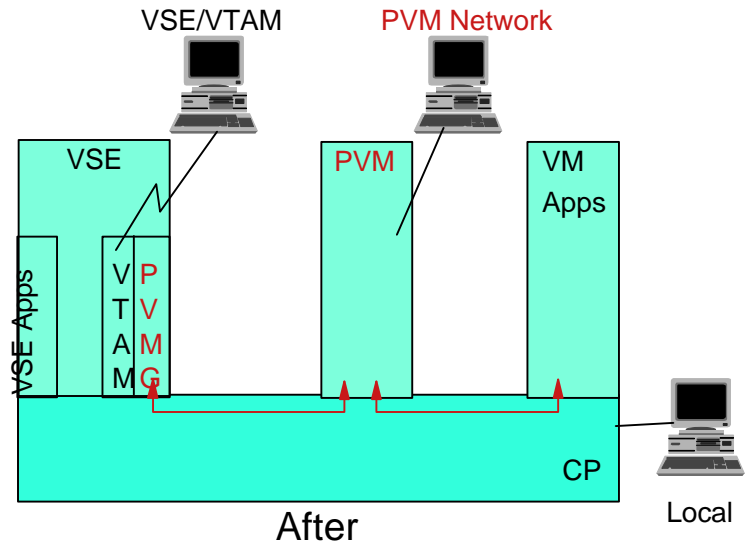
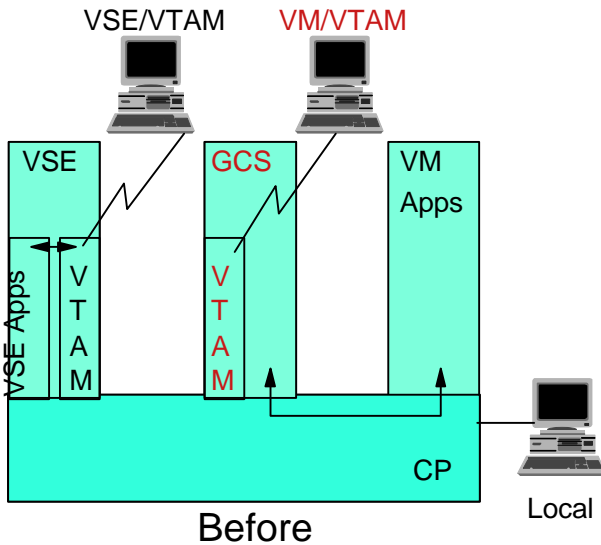
Environment:

- VM/ESA with VTAM, PVM, & PVMG
- VSE guests with VTAM

Value of VTAM and PVM:

- Any terminal can access either VSE applications and VM applications (Terminal connection VM local, VM/VTAM, VSE/VTAM, or PVM network)
- VSE terminals can have multiple sessions at the same time of VSE/VTAM, VM/VTAM, and PVM network
- LU 6.2 Communication

Value of PVMG and VSE/VTAM Guests



Environment:

- VM/ESA with VTAM
- VSE guests with VTAM

Value of VTAM:

- Any terminal can access either VSE applications or VM applications (Terminal connection VM local, VM/VTAM, or VSE/VTAM)
- LU 6.2 Communication

Environment:

- VM/ESA with PVM
- VSE guests with VTAM & PVMG

Value of PVM:

- PVM network and VM local terminals can access VM applications and VSE applications
- VSE terminals can access VSE applications and VSE applications (via VTAM logo)
- VSE terminals can have multiple sessions at the same time of VSE/VTAM, VM Local and PVM network

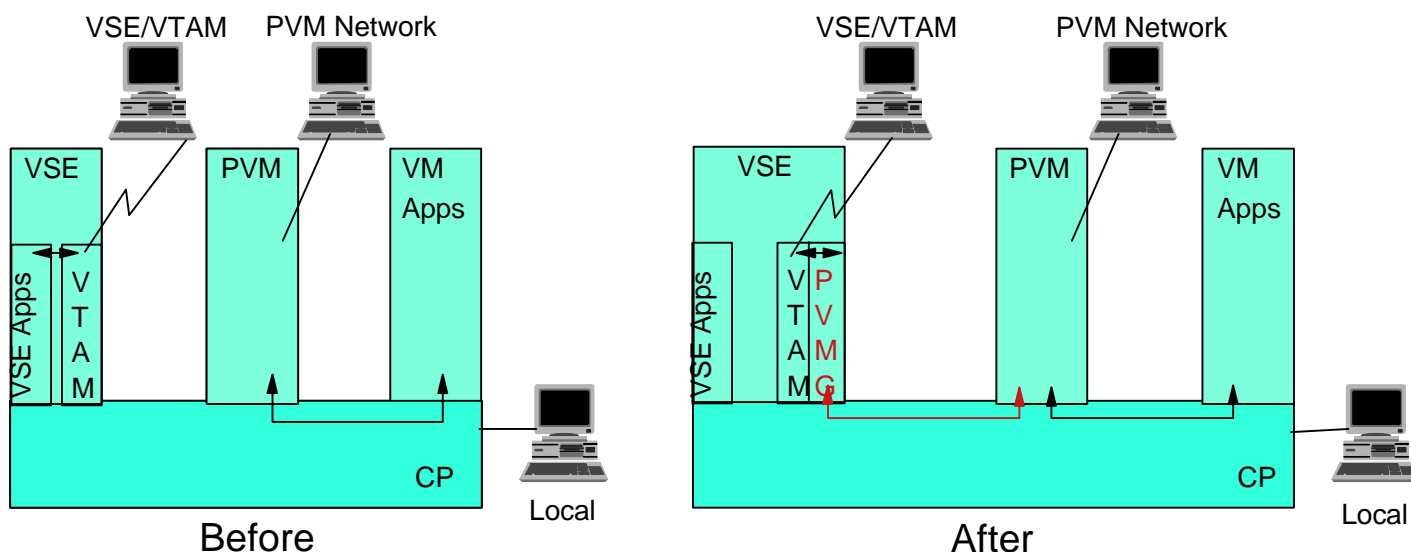
Benefits of PVM

- Enables fast, easy access to applications via customization with REXX API
- Allows communication between VM applications on the same or different nodes via PVM IUCV
- PVM's Cooperative Viewing Facility enables multiple users on their own terminals to see and/or manipulate the same VM session screen
- Users SNA protocols in the PVM line driver to communicate with 3X74 attached terminals, thus providing multiple sessions for workload balancing
- Provides low cost console support for VSE guests
- Installed and serviced with VMSES/E
- PVMG:
 - Provides access to VSE applications and VM applications for VSE/VTAM, VM/VTAM, VM local or PVM network terminals
 - Provides access to SNA applications form PVM network terminals
 - Enables concurrent multiple sessions of VSE/VTAM, VM/VTAM, VM local, and PVM network terminals
 - Multiple VSE guests can be connected via a virtual CTCA on the same VM system

Prerequisites

- Operating system requirements for PVM 2.1.1:
 - Any supported release of VM/ESA*
 - PVMG for VSE: any supported release of VSE/ESA running in ESA supervisor mode
 - PVMG for VSE function is available on current PVM RSU.

Value of PVMG with VSE Guests



Environment:

- VM/ESA with PVM
- VSE guests with VTAM
- VM terminals dial VSE guest to access VSE applications

Value of PVM:

- PVM network terminals and VM local terminals can access VM applications
- Local VM terminals can access PVM network

Environment:

- VM/ESA with PVM
- VSE guests with VTAM & PVMG
- VM terminals access VSE applications directly

Value of PVM:

- PVM network and VM local terminals can access VM applications and VSE applications
- Local VM terminals can access PVM network
- VSE terminals can access VSE applications and VSE applications (via VTAM logo)
- VSE terminals can have multiple sessions at the same time of VSE/VTAM, VM Local and PVM network

To learn more, call your IBM Marketing Rep or visit <http://www.vm.ibm.com/related/pvm/>

Ask for Program Number 5684-100.

Also, see PVM Administration and Operation, SC24-5557, and PVM Program Directory, GI10-4664