

z/VM  
7.3

*Installation Guide*



**Note:**

Before you use this information and the product it supports, read the information in [“Notices” on page 363.](#)

This edition applies to version 7, release 3 of IBM® z/VM® (product number 5741-A09) and to all subsequent releases and modifications until otherwise indicated in new editions.

Last updated: 2023-08-03

© **Copyright International Business Machines Corporation 1991, 2023.**

US Government Users Restricted Rights – Use, duplication or disclosure restricted by GSA ADP Schedule Contract with IBM Corp.

---

# Contents

- Figures..... ix**
- Tables..... xi**
- About this document.....xiii**
  - Intended audience..... xiii
  - Where to find more information..... xiii
  - Links to other documents and websites..... xiii
  - IBM Knowledge Center is now IBM Documentation..... xiii
  - How to provide feedback to IBM.....xiv
  - Conventions and terminology.....xiv
- Summary of changes for z/VM: Installation Guide..... xvii**
  - GC24-6292-04, z/VM 7.3 (August 2023)..... xvii
  - GC24-6292-04, z/VM 7.3 (December 2022).....xvii
  - GC24-6292-04, z/VM 7.3 (October 2022)..... xvii
  - GC24-6292-03, z/VM 7.3 (September 2022)..... xvii
  - GC24-6292-02, z/VM 7.2 (September 2020).....xviii
- Part 1. z/VM installation..... 1**
  - Chapter 1. Installation overview.....3
- Part 2. Traditional installation.....5**
  - Chapter 2. Plan your traditional installation.....7
    - Step 1. Select your installation procedure.....8
    - Step 2. Review and comply with the requirements..... 9
    - Step 3. Complete the installation worksheets..... 12
    - Traditional installation worksheets.....17
    - Step 4. Choose your next step..... 21
  - Chapter 3. Traditional installation for first level.....23
    - Step 1. Load the RAMDISK.....24
    - Step 2. Run DVDPRIME.....26
    - Step 3. Choose your next step..... 27
  - Chapter 4. Traditional installation for second level..... 29
    - Step 1. Set up to install from a DVD or USB flash drive.....30
      - Step 1a. Set up the user ID for installation..... 30
      - Step 1b. Run DVDPRIME.....32
    - Step 2. Set up to install from an FTP server directory..... 34
      - Step 2a. Set up the user ID for installation.....34
      - Step 2b. Run DVDPRIME.....36
    - Step 3. Set up to install from a VM minidisk.....38
      - Step 3a. Set up the user ID for installation.....38
      - Step 3b. Run DVDPRIME.....45
    - Step 4. Choose your next step..... 46

Chapter 5. Non-SSI traditional installation method.....	47
Step 1. Run INSTPLAN for non-SSI.....	48
Step 2. Verify that the volumes needed for installation are available.....	51
Step 3. Run INSTALL to install your new system.....	53
Step 4. Log on to the new system.....	58
Step 5. IPL the new system.....	59
Chapter 6. SSI traditional installation method.....	61
Step 1. Run INSTPLAN for SSI.....	62
Step 2. Run INSTALL to install your new system.....	67
Step 3. One-member SSI.....	72
Step 4. Multimember SSI.....	73
Step 5. Initialize members 2, 3, and 4 .....	74
Step 6. Update the system configuration file.....	76
Step 7. IPL the new SSI cluster.....	77
<b>Part 3. After traditional installation.....</b>	<b>79</b>
Chapter 7. Default system information.....	81
Logging on to your z/VM system .....	81
Default information for IPLing your system.....	81
Where you can IPL your systems.....	82
Default PARM disk information.....	82
Default spool and page.....	83
Volume ownership.....	83
Full-pack minidisk definitions.....	83
Chapter 8. Create IPLable utilities.....	85
Step 1. Create a stand-alone dump device.....	86
Step 2. Create an IPLable DDR utility tape.....	87
Step 3. Create an IPLable ICKDSF utility tape.....	88
Chapter 9. Configure an initial network connection and back up the system.....	91
Step 1. Configure TCP/IP for an initial network connection.....	92
Step 2. Optionally back up the system.....	94
Chapter 10. Preinstalled licensed products and features.....	95
Directory Maintenance Facility.....	96
Hardware Configuration Definition and Hardware Configuration Manager for z/VM.....	96
Device Support Facilities (ICKDSF).....	96
Performance Toolkit for z/VM.....	96
RACF Security Server for z/VM.....	97
Remote Spooling Communications Subsystem (RSCS) Networking for z/VM.....	97
Transmission Control Protocol/Internet Protocol for z/VM.....	97
<b>Part 4. Upgrade installation for non-SSI, one-member SSI, or the first member of a multi-member cluster.....</b>	<b>99</b>
Chapter 11. Upgrade installation overview.....	101
Chapter 12. Plan your non-SSI, one-member SSI, or Member 1 upgrade installation.....	105
Step 1. Select your upgrade installation source.....	106
Step 2. Review the requirements for using the upgrade procedure.....	108
Step 3. Review the DASD requirements .....	111
Step 4. Prepare the system before you start the upgrade process.....	114
Step 5. Complete Member 1: upgrade installation worksheet 1.....	118

Step 6. Complete Member 1: upgrade installation worksheet 2.....	119
Step 7. Complete Member 1: upgrade installation worksheet 3.....	121
Step 8. Complete Member 1: upgrade installation worksheet 4.....	122
Step 9. Complete Member 1: upgrade installation worksheet 5.....	123
Member 1: upgrade installation worksheets.....	126
Chapter 13. Set up for your upgrade installation.....	129
Step 1. Set up to install from a DVD or USB flash drive.....	130
Step 2. Set up to install from an FTP server directory.....	134
Step 3. Set up to install from a VM minidisk.....	138
Chapter 14. Install a z/VM 7.3 work system for your upgrade installation.....	147
Step 1. Run INSTPLAN.....	148
Step 2. Verify your upgrade installation volumes.....	154
Step 3. Run INSTALL.....	156
Chapter 15. Generate the STAGE1 changes file.....	159
Step 1. Create a backup copy of the system being upgraded.....	160
Step 2. Generate the STAGE1 table .....	161
Chapter 16. Update your current system with the STAGE1 changes.....	163
Step 1. Use INSTUPGR to make your STAGE1 system changes .....	164
Chapter 17. Finish the STAGE1 upgrade.....	165
Step 1. Review external security manager (ESM) considerations.....	166
Step 2. Review directory considerations.....	173
Step 3. Rework your local modifications.....	175
Step 4. Convert the RACF/VM database.....	178
Chapter 18. Stop your production workload and back up your system.....	181
Step 1. Prepare to run the second stage of upgrade.....	182
Chapter 19. Generate the STAGE2 changes file.....	185
Step 1. Generate the STAGE2 table.....	186
Chapter 20. Update your current system with the STAGE2 changes.....	187
Step 1. Use INSTUPGR to make your STAGE2 system changes.....	188
Chapter 21. Finish your upgrade installation.....	191
Step 1. Review directory considerations.....	192
Step 2. Review SYSTEM CONFIG changes.....	193
Step 3. Review <i>sysname</i> \$WRNFILE messages.....	195
Step 4. Shut down and IPL your upgraded system.....	196
Step 5. Migrate Licensed Product Inventory Files.....	198
Step 6. Complete your upgrade.....	202
Step 7. Perform post-upgrade tasks.....	206
Chapter 22. Remove the obsolete release.....	209
Step 1. Remove the obsolete release.....	210

## **Part 5. Upgrade installation for subsequent members of a multi-member cluster 213**

Chapter 23. Plan your upgrade installation for members 2, 3, and 4.....	215
Step 1. Review the requirements for using the upgrade procedure.....	216
Step 2. Review the DASD requirements .....	217
Step 3. Prepare the system before you start the upgrade process.....	218
Step 4. Complete multi-member upgrade installation worksheet 1.....	220

Step 5. Complete multi-member upgrade installation worksheet 2.....	222
Step 6. Complete multi-member upgrade installation worksheet 3.....	223
Multi-member upgrade installation worksheets.....	225
Chapter 24. Set up for upgrade.....	227
Step 1. Run INSTPROC.....	228
Step 2. Attach the upgrade installation work system volumes.....	229
Step 3. Run INSTPLAN.....	230
Chapter 25. Run INSTUPGR.....	235
Step 1. Create a backup copy of the system being upgraded.....	236
Step 2. Generate the STAGE1 table .....	237
Step 3. Use INSTUPGR to make your STAGE1 system changes .....	238
Step 4. Prepare to run the second stage of upgrade.....	239
Step 5. Generate the STAGE2 table.....	240
Step 6. Use INSTUPGR to make your STAGE2 system changes .....	241
Chapter 26. Finish your upgrade installation.....	243
Step 1. Review directory considerations.....	244
Step 2. Review <i>sysname</i> \$WRNFILE messages.....	245
Step 3. Shut down and IPL your upgraded system.....	246
Step 4. Complete your upgrade.....	248
Chapter 27. Perform post-upgrade tasks.....	249
Step 1. Perform post-upgrade tasks.....	250
Step 2. Remove the obsolete release.....	251
<b>Appendix A. Determining the RSU level for ordering service.....</b>	<b>253</b>
<b>Appendix B. Migrate 51D from the old system.....</b>	<b>255</b>
<b>Appendix C. Contents of the z/VM system.....</b>	<b>259</b>
Products loaded from the z/VM system installation media.....	259
CMS defaults.....	259
CP defaults.....	259
GCS defaults.....	260
Saved segments on the z/VM system.....	261
VMSYS, VMSYSU, VMSYSR, and VMPSFS file pool defaults.....	261
Additional file pool enrollments.....	262
<b>Appendix D. Back up the named saved systems and segments to tape.....</b>	<b>265</b>
<b>Appendix E. Back up the z/VM system to tape.....</b>	<b>267</b>
<b>Appendix F. Back up the z/VM system to DASD.....</b>	<b>271</b>
<b>Appendix G. Restore the named saved systems and segments from tape.....</b>	<b>273</b>
<b>Appendix H. Restore the z/VM system backup from tape.....</b>	<b>275</b>
<b>Appendix I. Recover a file or minidisk.....</b>	<b>277</b>
<b>Appendix J. Using a terminal emulator to upload files.....</b>	<b>281</b>

<b>Appendix K. Using a z/VM FTP server to receive and load files to a z/VM minidisk.....</b>	<b>283</b>
<b>Appendix L. Basic TCP/IP connectivity worksheets.....</b>	<b>285</b>
Member 1.....	286
Member 2.....	288
Member 3.....	290
Member 4.....	292
<b>Appendix M. IPLing z/VM from an SCSI device.....</b>	<b>295</b>
<b>Appendix N. IBM-supplied user IDs.....</b>	<b>297</b>
<b>Appendix O. Update your current system manually with the STAGE1 changes.....</b>	<b>299</b>
Step 1. Choose your update option.....	300
Step 2. Make some of the STAGE1 changes to your system manually .....	301
Step 3. Make all of the STAGE1 changes to your system manually .....	302
<b>Appendix P. Update your current system manually with the STAGE2 changes.....</b>	<b>303</b>
Step 1. Choose your update option.....	304
Step 2. Make some of the STAGE2 changes to your system manually .....	305
Step 3. Make all of the STAGE2 changes to your system manually .....	306
<b>Appendix Q. \$STAGE1\$ \$TABLE\$ entry definitions.....</b>	<b>307</b>
<b>Appendix R. \$STAGE2\$ \$TABLE\$ entry definitions.....</b>	<b>323</b>
<b>Appendix S. Removing changes made by STAGE1 (optional).....</b>	<b>339</b>
Step 1. Back out changes made in Chapter 17, "Finish the STAGE1 upgrade".....	340
Step 2. Choose your backout option.....	341
Step 3. Undo STAGE1 changes using INSTUPGR.....	342
Step 4. Undo STAGE1 changes manually.....	343
<b>Appendix T. Upgrade installation directory manager exit interface.....</b>	<b>345</b>
Requirements.....	345
Syntax of the call to the exit.....	346
Contents of the exit interface data stem.....	346
Options of the exit interface data stem.....	348
CLEANUP.....	348
COMMAND.....	348
CRYPTO.....	349
ENTRY.....	350
IPL.....	352
IUCV.....	352
LINK.....	353
LOADDEV.....	354
MDISK.....	355
NAMESAVE.....	357
OPTION.....	357
PRIV.....	358
SETUP.....	359
VERIFY.....	359
VSTOR.....	359
Return codes.....	361

Coding sample for acquiring the contents of a data stem.....	361
<b>Notices.....</b>	<b>363</b>
Trademarks.....	364
Terms and conditions for product documentation.....	364
IBM online privacy statement.....	365
<b>Bibliography.....</b>	<b>367</b>
Where to get z/VM information.....	367
z/VM base library.....	367
z/VM facilities and features.....	368
Prerequisite products.....	370
Related products.....	370
<b>Index.....</b>	<b>373</b>



---

# Figures

- 1. DVDPRIME Panel..... 32
- 2. DVDPRIME Panel..... 36
- 3. z/VM Traditional Installation Planning Panel 1 ..... 48
- 4. z/VM Traditional Installation Volume Definition (Non-SSI Only)..... 50
- 5. z/VM Traditional Installation Planning Panel 1 ..... 62
- 6. z/VM Traditional Installation SSI Definition Panel..... 63
- 7. z/VM Traditional Installation Volume Definition (SSI Only)..... 65
- 8. z/VM Traditional Installation DASD Definitions 2 (SSI Only)..... 65
- 9. DVDPRIME Panel.....132
- 10. DVDPRIME Panel..... 136
- 11. z/VM Upgrade - Existing Environment Information Panel..... 148
- 12. z/VM Upgrade - License Validation Panel..... 149
- 13. z/VM Upgrade - User Supplied Environment Information Panel.....150
- 14. z/VM Upgrade - Installation Volume Definition Panel..... 151
- 15. z/VM Upgrade - Additional Space Requirements Panel..... 151
- 16. Update SYSLMOD Table Entries Panel..... 176
- 17. z/VM Upgrade - Existing Environment Information Panel..... 230
- 18. z/VM Upgrade - License Validation Panel..... 231
- 19. z/VM Upgrade - User Supplied Environment Information Panel.....231
- 20. z/VM Upgrade - Validation of Work System Volumes Panel..... 232
- 21. z/VM Upgrade - Additional Space Requirements Panel..... 233



---

# Tables

1. Traditional installation worksheet 1.....	17
2. Traditional installation worksheet 2 (3390 Non-SSI Only).....	18
3. Traditional installation worksheet 3 (FBA Non-SSI Only).....	18
4. Traditional installation worksheet 4.....	18
5. Traditional installation worksheet 5 (3390 SSI Only).....	19
6. Traditional installation worksheet 6 (3390 SSI Only).....	19
7. Traditional installation worksheet 7 (SSI First-Level Configuration Only).....	20
8. Preinstalled Licensed Products and Features.....	95
9. 2191 minidisk: space requirements.....	110
10. Minimum space requirements for MEMBER volumes.....	124
11. Minimum space requirements for COMMON volumes.....	125
12. Member 1: Upgrade Installation Worksheet 1.....	126
13. Member 1: Upgrade Installation Worksheet 2.....	126
14. Member 1: Upgrade Installation Worksheet 3 (3390 Only).....	127
15. Member 1: Upgrade Installation Worksheet 4 (FBA Only).....	127
16. Member 1: Upgrade Installation Worksheet 5.....	128
17. Links to indirect resources, Part 1 of 3.....	168
18. Links to indirect resources, Part 2 of 3.....	169
19. Links to indirect resources, Part 3 of 3.....	170
20. Links to indirect resources.....	171
21. Minimum space requirements for MEMBER volumes.....	224
22. Multi-Member Upgrade Installation Worksheet 1.....	225
23. Multi-Member Upgrade Installation Worksheet 2.....	225

24. Multi-Member Upgrade Installation Worksheet 3.....	225
25. Preinstalled components, features, and products, in preferred service order .....	253
26. VMSYS/VMPSFS File Pool User IDs.....	262
27. Installation TCP/IP Configuration Worksheet – Member 1.....	286
28. QDIO Interface Worksheet – Member 1.....	287
29. LCS Interface Worksheet – Member 1.....	287
30. HiperSockets Interface Worksheet – Member 1.....	287
31. CTC Interface Worksheet – Member 1.....	287
32. Installation TCP/IP Configuration Worksheet – Member 2.....	288
33. QDIO Interface Worksheet – Member 2.....	289
34. LCS Interface Worksheet – Member 2.....	289
35. HiperSockets Interface Worksheet – Member 2.....	289
36. CTC Interface Worksheet – Member 2.....	289
37. Installation TCP/IP Configuration Worksheet – Member 3.....	290
38. QDIO Interface Worksheet – Member 3.....	291
39. LCS Interface Worksheet – Member 3.....	291
40. HiperSockets Interface Worksheet – Member 3.....	291
41. CTC Interface Worksheet – Member 3.....	291
42. Installation TCP/IP Configuration Worksheet – Member 4.....	292
43. QDIO Interface Worksheet – Member 4.....	293
44. LCS Interface Worksheet – Member 4.....	293
45. HiperSockets Interface Worksheet – Member 4.....	293
46. CTC Interface Worksheet – Member 4.....	293

## About this document

---

This document guides the customer through the installation of IBM z/VM 7.3 using step-by-step installation procedures. The procedures cover traditional installation of a z/VM system, first-level (in a processor's logical partition) or second-level (as a guest operating system hosted by z/VM), from DVD, USB flash drive, or electronic media, and installing z/VM 7.3 as an upgrade to z/VM 7.1 or 7.2.

See [Chapter 1, “Installation overview,”](#) on page 3 for an overview of the techniques available for installing z/VM and guidelines for selecting the technique that will best suit your needs.

For information about servicing your system, see *z/VM: Service Guide*.

**Note:** See *z/VM: General Information* for a list of the processors supported by z/VM and the guest operating systems hosted by z/VM.

## Intended audience

---

This information is intended for the customer responsible for installing z/VM.

A general knowledge of what z/VM does and an understanding of virtual machine concepts is required for getting the most out of this information. You should also have a general understanding of z/VM and IBM Z® data processing techniques and z/VM commands.

## Where to find more information

---

This document includes all updates available at the time of publication. Any updates to this document will be reflected in the copy available in the [IBM: z/VM Internet Library \(https://www.ibm.com/vm/library\)](https://www.ibm.com/vm/library).

For information about related documents, see “Bibliography” on page 367.

## Links to other documents and websites

---

The PDF version of this document contains links to other documents and websites. A link from this document to another document works only when both documents are in the same directory or database, and a link to a website works only if you have access to the Internet. A document link is to a specific edition. If a new edition of a linked document has been published since the publication of this document, the linked document might not be the latest edition.

## IBM Knowledge Center is now IBM Documentation

---

All IBM product documentation now resides in [IBM Documentation \(IBM Docs\)](#):

<https://www.ibm.com/docs>

- To take a quick look at some of the features of **IBM Docs**, click on the black **Guided tour** button to the right of the **Search in IBM Documentation** field on the [IBM Docs welcome page \(https://www.ibm.com/docs\)](https://www.ibm.com/docs).
- To search for a product, click on the black **View all products in IBM Documentation** button on the [IBM Docs welcome page](#). This takes you to the [IBM Documentation products page](#):

<https://www.ibm.com/docs/en/products>

Type the product name in the **Filter within the product catalog** field (or click on the first letter of the product name in the menu below that) and then click on the product name shown in the search results.

- You can find the z/VM documentation here:

<https://www.ibm.com/docs/en/zvm>

To display the table of contents, click on the right arrow (➤) in the lower-left corner.

Previously, IBM Knowledge Center (<https://www.ibm.com/support/knowledgecenter>) was the repository for all IBM product documentation. For supported products, the IBM Knowledge Center URLs are redirected to the corresponding IBM Documentation URLs permanently.

## How to provide feedback to IBM

We welcome any feedback that you have, including comments on the clarity, accuracy, or completeness of the information. See [How to send feedback to IBM](#) for additional information.

## Conventions and terminology

Various conventions are used to depict what you should type and what system responses you might see. Procedures will use the following conventions:

- The procedures in this document are in a two-column format. The left column shows the representative sequence of user entries and system responses, the right column contains explanatory comments and instructions about the entries shown in the left column.

### Example:

```
attach dasdaddr *  
DASD dasdaddr ATTACHED TO userid  
dasdaddr  
:  
Ready; T=n.nn/n.nn hh:mm:ss
```

### *dasdaddr*

is the address of the DASD volume.

### *userid*

is the first-level user ID logged on to in the previous substep.

- Normal font indicates system responses and requests.

**Example:** The following shows a system response:

```
IUGIPX8475I Final selections display  
The products you selected to load to minidisk are:  
NONE  
  
The products you selected to load to SFS are:  
VM PERFTK VMHCD RACF DIRM RSCS ICKDSF TCPIP  
:  
:
```

- Bold font indicates exactly what you should type.

**Example:** The following shows a command you would type:

```
disconnect
```

- Italic font indicates variable input or output, which can occur in commands you type or in system output.

**Examples:** The following are examples in which italics indicate variable input or output:

- In the following, you would need to supply the address of a minidisk for *diskaddr*:

```
attach diskaddr w
```

- In the following, the system would supply the storage size for *nnn* in its response:

```
query virtual storage  
STORAGE = nnn M
```

- Reverse type indicates special keys you must press.

**Example:** The following indicates you must press Enter:

```
ENTER
```

- A vertical bar (|) indicates you will receive or enter one of the values within the braces ({}).

**Example:** The following indicates sample output where you might receive one of two responses:

```
{MDREST|ECKDREST}: WROTE nnnn {BLOCKS|TRACKS} ON addr, RC=0
```

In this example, you would actually receive *one* of the following two responses:

```
MDREST: WROTE nnnn BLOCKS ON addr, RC=0  
ECKDREST: WROTE nnnn TRACKS ON addr, RC=0
```





# Summary of changes for z/VM: Installation Guide

---

This information includes terminology, maintenance, and editorial changes. Technical changes or additions to the text and illustrations for the current edition are indicated by a vertical line (|) to the left of the change.

## GC24-6292-04, z/VM 7.3 (August 2023)

---

This edition includes terminology, maintenance, and editorial changes.

The following topic is updated:

- [“Step 1. Load the RAMDISK” on page 24](#)

## GC24-6292-04, z/VM 7.3 (December 2022)

---

This edition includes terminology, maintenance, and editorial changes.

The following topics are updated:

- [“Step 3. Complete the installation worksheets” on page 12](#)
- [“Step 3. Review the DASD requirements ” on page 111](#)
- [“Step 4. Prepare the system before you start the upgrade process” on page 114](#)
- [“Step 7. Complete Member 1: upgrade installation worksheet 3” on page 121](#)
- [“Step 4. Convert the RACF/VM database” on page 178](#)
- [Appendix J, “Using a terminal emulator to upload files,” on page 281](#)

## GC24-6292-04, z/VM 7.3 (October 2022)

---

This edition includes terminology, maintenance, and editorial changes.

The following topics are updated:

- [“Step 2. Review and comply with the requirements” on page 9](#)
- [“Step 3. Complete the installation worksheets” on page 12](#)
- [“Traditional installation worksheets” on page 17](#)
- [“Step 5. IPL the new system” on page 59](#)
- [“Step 7. IPL the new SSI cluster” on page 77](#)
- [“Step 5. Complete multi-member upgrade installation worksheet 2” on page 222](#)
- [“Multi-member upgrade installation worksheets” on page 225](#)

## GC24-6292-03, z/VM 7.3 (September 2022)

---

This edition includes changes to support the general availability of z/VM 7.3.

Updates include the following:

- z/VM 7.3 provides the ability to select a default password when installing or upgrading a z/VM system.
- The upgrade installation process allows you to upgrade from z/VM 7.1 or 7.2 to z/VM 7.3.
- The following new releases of components and features are preinstalled:
  - Directory Maintenance Facility, function level 730 (disabled)
  - Performance Toolkit for z/VM, function level 730 (disabled)

- RACF® Security Server for z/VM, function level 730 (disabled)
- RSCS Networking for z/VM, function level 730 (disabled)
- TCP/IP for z/VM, function level 730
- HCD and HCM for z/VM, function level 730
- Language Environment®, function level 730
- The GUICSLIB shared segment has been removed in z/VM 7.3.

## Eight-member SSI support

This support increases the maximum size of a single system image (SSI) cluster from four members to eight, enabling clients to grow their SSI clusters to allow for increased workloads and providing more flexibility to use live guest relocation (LGR) for nondisruptive upgrades and workload balancing.

When the SSI\_CONTROLS SPOOL\_MEMBERS 8 statement is added to the SYSTEM CONFIG file, a traditionally-installed SSI cluster (one to four members) is enabled for up to eight members.

## Language Environment upgrade

The z/VM Language Environment runtime libraries have been upgraded to z/OS® 2.5 equivalence.

## Change in location and size of the MONDCSS and PERFOUT saved segments

The default CP MONITOR MONDCSS saved segment starting virtual address has been changed to 1 GB and the size has been increased to 96 MB. The IBM Performance Toolkit PERFOUT saved segment starting virtual address has been changed to 1120 MB, immediately following the new MONDCSS.

## GC24-6292-02, z/VM 7.2 (September 2020)

---

This edition includes changes to support the general availability of z/VM 7.2.

These changes include the following:

- The upgrade installation process allows you to:
  - Upgrade from z/VM 6.4 or 7.1 to z/VM 7.2.
  - Reuse the work system that was created while upgrading the first member of a multi-member SSI cluster to upgrade subsequent members.

For work system planning information, see [Chapter 12, “Plan your non-SSI, one-member SSI, or Member 1 upgrade installation,” on page 105](#) and [Chapter 23, “Plan your upgrade installation for members 2, 3, and 4,” on page 215](#).

- The following new releases of components and features are preinstalled:
  - Directory Maintenance Facility, function level 720 (disabled)
  - Performance Toolkit for z/VM, function level 720 (disabled)
  - RACF Security Server for z/VM, function level 720 (disabled)
  - RSCS Networking for z/VM, function level 720 (disabled)
  - TCP/IP for z/VM, function level 720
  - HCD and HCM for z/VM, function level 720
- The packaging for installing z/VM from DVD is changed. There is now a 2-disc product package.
  - The package for 3390 consists of the following:
    1. z/VM Product Package for installation on 3390 - DISC 1
    2. z/VM Product Package for installation on 3390 - DISC 2
  - The package for SCSI consists of the following:

1. z/VM Product Package for installation on SCSI - DISC 1
  2. z/VM Product Package for installation on SCSI - DISC 2
- There is no longer a z/VM installation RSU DVD.
  - The Environmental Record Editing and Printing Program (EREP) is no longer available as a separately-orderable product. Its programs are shipped as part of the CP component of z/VM 7.2 and later releases.
  - KANJI system message repositories and shared segment have been removed in z/VM 7.2.



---

## Part 1. z/VM installation

This part contains an overview of the techniques available for installing z/VM 7.3 and guidelines for selecting the technique that will best suit your needs.



---

# Chapter 1. Installation overview

There are two techniques available for installing z/VM 7.3.

The first technique, *traditional installation*, installs a new z/VM system or SSI cluster on a set of DASDs, which can then be customized according to your needs. If you are installing a new system, this is the installation method you should use.

The second technique, *upgrade installation*, is used to upgrade from z/VM 7.1 or 7.2. If you want to upgrade a system from z/VM 7.1 or 7.2 to z/VM 7.3, this is the installation method you should use.

In an upgrade installation, a new release system to be used as a temporary work system is installed as a second level guest of the current release system that you want to upgrade. The new level of code from the work system is then moved to your current system with minimal impact to your current running system. This current running system can be a non-SSI system, the only member of a single-member SSI cluster, or any member of a multimember SSI cluster. In a multimember SSI cluster, you will upgrade one member at a time so that there is minimum impact to the other members. Note that you must complete the upgrade for one member before starting the upgrade of the next member.

Select the installation technique that best meets your needs, as follows:

- For traditional installation, follow all of the steps in [Part 2, “Traditional installation,”](#) on page 5.
- For upgrade installation, follow all of the steps in [Part 4, “Upgrade installation for non-SSI, one-member SSI, or the first member of a multi-member cluster,”](#) on page 99.

Within each part, read and follow all the procedures in the order presented.





---

## Part 2. Traditional installation

This part contains procedures for the traditional installation of z/VM to a non-SSI cluster or to an SSI cluster. For information about planning for an SSI cluster, see *z/VM: CP Planning and Administration*.

If you received the z/VM product electronically, you must first complete the instructions you downloaded with your order before using the procedures here in Part 2 to install z/VM.

### **In this part, you will:**

- Plan your traditional installation.
- Complete worksheets.
- Install the z/VM system.



---

## Chapter 2. Plan your traditional installation

### **In this chapter, you will:**

- Plan your installation.
- Complete the traditional installation worksheets.

# Step 1. Select your installation procedure

---

The z/VM 7.3.0 product was obtained by ordering electronic delivery or by ordering physical DVDs.

- If your z/VM product was obtained through electronic delivery:
  - You must follow the instructions that accompanied the deliverable to do one of the following before starting your installation:
    - Create two physical DVDs from the 3390 or SCSI electronic media, one that contains the contents of DISC 1 of the z/VM Product Package installation media and one that contains the contents of DISC 2 of the z/VM Product Package installation media.
    - Load the contents of both of the z/VM product deliverables onto a USB flash drive from the 3390 or SCSI electronic media.
    - Load the contents of both of the z/VM product deliverables into the same FTP server directory from the 3390 or SCSI electronic media.
- If your z/VM product was obtained on physical DVDs:
  - Make sure you have both of the z/VM product DVDs for 3390 or SCSI.

### Installation procedures:

- *First-level installation* can be done from:
  - A physical DVD mounted in a DVD drive attached to the Hardware Management Console (HMC), if supported by your hardware.
  - A physical DVD mounted in a DVD drive connected through an FTP or secure FTP server.
  - A USB flash drive in your HMC.
  - A USB flash drive connected through an FTP or secure FTP server.
  - An FTP or secure FTP server that has access to a directory where the files from the physical DVDs or electronic deliverables have been stored.
- *Second-level installation* can be done from:
  - A physical DVD mounted in a DVD drive connected through an FTP or secure FTP server.
  - A USB flash drive connected through an FTP or secure FTP server.
  - An FTP or secure FTP server that has access to a directory where the files from the physical DVDs or electronic deliverables have been stored.
  - A CMS-formatted minidisk that is accessible by your installation user ID.

## Step 2. Review and comply with the requirements

---

Before you install z/VM 7.3, you must review the following information and make sure all requirements are satisfied:

### Notes:

1. For current installation-related information, see the following topics at [IBM: z/VM Installation Resources \(https://www.vm.ibm.com/install\)](https://www.vm.ibm.com/install):
  - Important z/VM Installation News
  - z/VM Installation Tips
  - Preventive Service Planning (PSP) bucket for z/VM 730 installation.
2. The use of secure and non-secure FTP servers is supported for z/VM installation. In this publication, the term *FTP server* refers to secure and non-secure FTP servers.

### z/VM media deliverable requirements

- For delivery through physical DVDs, make sure you have both of the z/VM product DVDs for your installation DASD type (3390 or SCSI).
- For electronic delivery, make sure you have both of the z/VM product .zip or ISO files for your installation DASD type (3390 or SCSI).
- An RSU was shipped as part of the z/VM product and will be installed during the installation process. If additional service is required, it can be installed after your initial installation is complete.

### General requirements

- A processor supported by z/VM 7.3. For a list of processors supported by z/VM, see [z/VM: General Information](#).
- A local 3270 terminal or equivalent, configured with at least 32 lines, or an integrated 3270 console.
- DASD volumes to install your z/VM system. If installing to 3390, the minimum size is 10016 cylinders. If installing to FBA, the minimum size is 6 GB.
- For z/VM installation on FBA, note that z/VM installation supports only emulated FBA on SCSI volumes. Real FBA volumes are *not* supported.
- For instructions on how to receive current service, see the Program Directory for z/VM.
- If you plan to migrate from another z/VM system, review [z/VM: Migration Guide](#).
- If you plan to deploy Linux® on IBM Z, see [z/VM: Getting Started with Linux on IBM Z](#) for important planning information about Linux virtual servers.
- The z/VM FTP installation procedure complies with the FTP client protocol standards described in RFC 959 and RFC 1123. Passive FTP data transfers are used in order to minimize the affects of intervening firewall systems, so your FTP server must support the PASV command.

### First-level installation requirements

- Hardware requirements:
  - Access to the integrated 3270 console on the HMC for your LPAR (CONS=SYSG) for use as the console during first-level installation.
  - At least 1 GB of real storage assigned to the LPAR where z/VM will be installed.

### Notes:

1. During installation, the amount of real storage configured for your installation LPAR will be limited to no more than 2G of real storage. When installation is complete, the real storage is not reset to the original storage value. You should make a note of the amount of storage configured for your

## Step 2. Review and comply with the requirements

installation LPAR before you begin so that the original amount of storage can be reset after your installation is complete. Configured storage is defined in the Activation profile for the LPAR on your Hardware Management Console.

2. The storage required for installation is not necessarily the amount you should have assigned for running production workloads. See *z/VM: CP Planning and Administration* for information about determining production storage requirements.
  - For the LPAR where you are installing, "Input/output (I/O) configuration control" must be enabled. This can be done by enabling this in the image profile which is then used to activate the LPAR. Alternatively, you can use the "Change Logical Partition Security" task to query the current setting and, if necessary, change the setting dynamically.
- If installing from a physical DVD mounted in a DVD drive attached to the Hardware Management Console (HMC) or a USB flash drive in the HMC:
  - The HMC must communicate with the desired support element. An HMC can communicate only with support element versions that are equal to or lower than the version of the HMC. For example, an HMC version 2.10.1 can communicate with a support element at version 2.10.0, or 2.10.1, but it cannot communicate with a support element at version 2.10.2.
- If installing from a physical DVD mounted in a DVD drive or a USB flash drive connected through an FTP server:
  - The FTP server must comply with RFC 959 and RFC 1123.
  - The FTP server must be able to communicate with the HMC and possibly the primary Support Element (SE). If the firmware for the primary SE of the LPAR where you will install is 2.14.1 or higher, the FTP server only needs to be able to communicate with the HMC. If the primary SE's firmware is at the 2.14.0 level, the FTP server must also be able to communicate with the primary SE. Being able to communicate to the FTP server means that the HMC (and the primary SE if it is 2.14.0) must be enabled for TCP/IP communication, including any required firewall authorizations to the FTP server, and must be authorized to use FTP.
  - The FTP server must be able to access a DVD drive or a USB flash drive.
- If installing from an FTP server that has access to a directory where the files from the physical DVD or electronic deliverables have been stored:
  - The FTP server must comply with RFC 959 and RFC 1123.
  - The FTP server must be able to communicate with the HMC and possibly the primary SE. If the firmware for the primary SE of the LPAR where you will install is 2.14.1 or higher, the FTP server only needs to be able to communicate with the HMC. If the primary SE's firmware is at the 2.14.0 level, the FTP server must also be able to communicate with the primary SE. Being able to communicate to the FTP server means that the HMC (and the primary SE if it is 2.14.0) must be enabled for TCP/IP communication, including any required firewall authorizations to the FTP server, and must be authorized to use FTP.
  - The FTP server must be able to access the directory where the contents of the product deliverables will be stored.
  - There must be at least 6 GB of available space to store the contents of DISC 1 and DISC 2 of the z/VM Product Package installation media.

### Second-level installation requirements

- Hardware requirements:
  - A processor supported by the release of z/VM that is running first-level and by the release of z/VM that is being installed second-level.
  - Access to a local 3270 terminal, or equivalent, configured with at least 32 lines and 80 columns.
- System software requirements:
  - A first-level system running a supported release of z/VM.
- User ID requirements:

- You must complete the entire installation using a single installation user ID.
- If you are installing your new level of z/VM on a system that is a member of an SSI, IBM recommends that the user ID where you perform the installation be defined as an IDENTITY, such as MAINT or MIGMAINT.
- Access to the INSTPIPE MODULE on your current system. The module was shipped on the MAINT 193 minidisk.
- Privilege class G.
- Privilege class B, if installation DASD volumes are not already attached to your installation user ID.
- At least 128 MB of virtual storage.  
**Note:** The virtual storage required for installation is not necessarily the amount you should have assigned when running a system second level. For information about determining virtual storage requirements, see [z/VM: CP Planning and Administration](#).
- A 191 read/write minidisk accessed as file mode A.
- If installing from a CMS-formatted minidisk (referred to as "From a VM Minidisk"), write access to the minidisk where the files will be loaded.
- A 2222 read/write minidisk, matching the supported DASD type (3390 or FBA) of your installation media, that is exactly:
  - 10 cylinders (3390)
  - 14400 512-KB blocks (FBA)
- A 24CC read/write minidisk, matching the supported DASD type (3390 or FBA) of your installation media, that is exactly:
  - 10 cylinders (3390)
  - 14400 512-KB blocks (FBA)
- A 2CF0 read/write minidisk, matching the supported DASD type (3390 or FBA) of your installation media, that is exactly:
  - 120 cylinders (3390)
  - 172800 512-KB blocks (FBA)
- If installing from a physical DVD mounted in a DVD drive or a USB flash drive connected through an FTP server:
  - The FTP server must comply with RFC 959 and RFC 1123.
  - The FTP server must have a TCP/IP communication path to the system you are using to install.
  - The FTP server must be able to access a DVD drive or a USB flash drive.
- If installing from an FTP server that has access to a directory where the files from the physical DVDs or electronic deliverables have been stored:
  - The FTP server must comply with RFC 959 and RFC 1123.
  - The FTP server must have a TCP/IP communication path to the system you are using to install.
  - The FTP server must be able to access the directory where the contents of the deliverables will be stored.
  - The contents of DISC 1 and DISC 2 of the z/VM Product Package installation media must be stored in the same directory.
  - There must be at least 6 GB of available space to store the contents of DISC 1 and DISC 2 of the z/VM Product Package installation media.
- If installing from a CMS-formatted minidisk where the contents of the physical DVD or electronic deliverable will be uploaded:
  - The CMS-formatted minidisk must be the equivalent of at least 8000 cylinders of 3390 DASD space.

### Step 3. Complete the installation worksheets

---

1. Determine the installation method you will use, and record the selected installation method on traditional installation worksheet 1 ([Table 1 on page 17](#)).
  - Choose first-level installation if no supported z/VM system is running on the processor or LPAR on which you are installing.
  - Choose second-level installation if you are installing in a virtual machine on a supported z/VM system.
2. For first-level installation, determine the amount of real storage that is configured for your installation LPAR. Review the Activation Profile on the HMC for the LPAR where you will install your z/VM system. If the amount of real storage is greater than 2G, record the real storage value on the **First-level real storage** line on traditional installation worksheet 1 ([Table 1 on page 17](#)).
3. Each product on the z/VM product deliverable allows file pool directories to be used for service. Using file pool directories for service (the default) could avoid potential service space problems. Determine which products will use the installation file pools for service disks and which products will use minidisks. Record your choices under the **Install to:** column on traditional installation worksheet 1 ([Table 1 on page 17](#)).
4. Select your default system language and record your choice on traditional installation worksheet 1 ([Table 1 on page 17](#)). The choices are:
  - Mixed Case English (AMENG)
  - Uppercase English (UCENG)

If you select Uppercase English, all system messages are displayed using uppercase letters only.

5. Select the DASD type and size you will use to install, and record the DASD information on traditional installation worksheet 1 ([Table 1 on page 17](#)).
  - If you are using FBA (SCSI):
    - Record **FBA** on the **DASD type** line.
    - Record the size on the **Volume size** line.
      - The size of the FBA volumes must be at least 6.0 GB.
      - All volumes must be at least the size recorded.

**Notes:**

- a. FBA cannot be used for an SSI installation.
  - b. z/VM installation supports only emulated FBA on SCSI volumes. Real FBA volumes are *not* supported.
  - c. The spool and paging volumes will be reallocated for spool and page space up to a maximum of 16777214 pages (4K) (approximately 64 GB). Any additional space on those volumes will remain PERM space.
  - d. IBM strongly recommends that you *not* use any remaining space on the installation volumes.
- If you are using 3390:
    - Record **3390** on the **DASD type** line.
    - Record the size on the **Volume size** line.
      - The size of the 3390 volumes must be at least 10016 cylinders.
      - All volumes must be at least the size recorded.

**Notes:**

- a. The spool volume will be reallocated for spool space up to cylinder 65519. Any additional space on this volume will remain PERM space.



- b. The paging volume will be reallocated for page space up to cylinder 1182005. Any additional space on this volume will remain PERM space.
  - c. IBM strongly recommends that you *not* use any remaining space on the installation volumes.
6. Select a name for the common service file pool and record your choice on traditional installation worksheet 1 (Table 1 on page 17). The common service file pool contains the service minidisks for the products you choose to load into the installation file pools, and will reside on the COMMON volumes. This file pool will exist even if you do not load any product into the file pool. The file ICOMDIR NAMES will be created to map your file pool name to the file pool nickname VMPSFS. If you will *not* be adding this system or SSI cluster to a larger ISFC collection, you can use the name VMPSFS as your file pool name. The file pool name:

- Has no default value. You must enter a name.
- Must be 1 to 8 alphanumeric characters (A through Z and 0 through 9).
- Cannot start with the characters VMSYS.
- Cannot start with a number.
- Cannot be ALLOW, ANY, or SYSTEM.
- Should not match any user ID on the system.

Note, also, that if at some time in the future you plan on adding this system or SSI cluster to a larger ISFC collection, the common service file pool name must not match any file pool name used by any other system or member in the ISFC collection.

7. Select the default password that is to be used for your system and record your choice on traditional installation worksheet 1 (Table 1 on page 17). The default password shipped with the system is WD5JU8QP.

The chosen default password:

- Must adhere to any restrictions set by your security manager
- Must consist of two or more characters
- Must not be a single repeated character
- Must not be left blank
- Must not contain asterisks (\*)
- Must not contain blank spaces
- Must not contain these characters: @ (at sign), # (percent sign), or " (double quotation mark)
- Must not be on the restricted password list:

ACNT	DIRM	MASTER	ROUTER	VSEIPO
AUTOLOG	ECMODE	MDVR	SFBATCH	VSEMAINT
BATCH	IBMCE	OPASS	SSFCAL	
CE	IPCS	OSVS1	SQLDBAPW	
CMSUSER	ISMAINT	PASSWORD	SQLUSER	
CMS2	ITPS	PRODBM	SYSDUMP	
CMS3	IVPASS	PROMAIL	VMAP	
CPCMS	LEV2VM	PSR	VSEIP	

8. Select the installation type, Non-SSI or Single System Image (SSI), and record your choice on traditional installation worksheet 1 (Table 1 on page 17). If installing to FBA, you must select Non-SSI.

For more information about planning for an SSI cluster, see *z/VM: CP Planning and Administration*.

9. If you selected Non-SSI, record the name of your system on traditional installation worksheet 1 (Table 1 on page 17). Note that the system name:
- Must be 1 to 8 alphanumeric characters
  - Cannot start with a number, that is, the first character must be non-numeric
  - Cannot contain blanks
  - Cannot contain the character string VMCPR

### Step 3. Complete the installation worksheets

- Cannot be NOSSI or NOSYS.

**Attention:** The system name you select should be considered a **permanent** name. In previous releases, selecting a "test" name and then later changing it to a "production" name was a common practice. However, due to numerous dependencies in the current release, this practice should *not* be used. Changing the system name after installation is a complicated process. If you intend to configure RSCS, the RSCS node ID should match the system name.

10. If you selected SSI:

a. On traditional installation worksheet 1 ([Table 1 on page 17](#)):

- i) Record the number of members you wish to install (must be 1 to 4).
- ii) Record the name of your SSI cluster (must be 1 to 8 alphanumeric characters).

b. On traditional installation worksheet 5 ([Table 5 on page 19](#)):

- i) Select **First-Level** if you intend to IPL your SSI cluster members in first-level LPARs. Otherwise, select **Second-Level**. An SSI cluster can be installed to IPL all members in first-level LPARs or to IPL all members second-level from user IDs on an existing z/VM system.
- ii) For each SSI member, record the following:

a) A member name, which:

- Must be 1 to 8 alphanumeric characters
- Cannot start with a number, that is, the first character must be non-numeric
- Cannot contain blanks
- Cannot contain the character string VMCPR
- Cannot be NOSSI or NOSYS
- Must have the last 7 characters be unique (different from all other member names).

**Attention:** The member names you select should be considered **permanent** names. In previous releases, selecting a "test" name and then later changing it to a "production" name was a common practice. However, due to numerous dependencies in the current release, this practice should *not* be used. Changing the member name after installation is a complicated process. If you intend to configure RSCS, the RSCS node IDs should match the member names.

b) The LPAR name or the user ID where the SSI member will be IPLed, which:

- Must be 1 to 8 alphanumeric characters
- Cannot contain blanks.

**Notes:**

- a) The z/VM 730 installation program supports installing up to 4 members of an SSI cluster at one time. If you want to add additional members (up to a total of 8 members), see Chapter 34, "Adding a Member to a z/VM SSI Cluster by Cloning an Existing Member" and Chapter 35, "Adding Members to a 4-Member SSI Cluster", in *z/VM: CP Planning and Administration*.
- b) The LPAR name is the name that is defined on the resource statement of the hardware input output control program (IOCP). See your hardware administrator for more information.
- c) If you are installing a multimember SSI cluster that will be IPLed second-level, the SSI2ND DIR-PROF file will be generated during installation processing. This file contains the directory definitions and the PROFILE EXECs needed for these user IDs.

11. If installing to 3390, determine the number of volumes required to install and record the required information on traditional installation worksheet 2 ([Table 2 on page 18](#)) for non-SSI or traditional installation worksheet 6 ([Table 6 on page 19](#)) for SSI.

a. Determine the number of volumes required:

- If the size of your 3390 volumes is equal to or greater than 12300 cylinders:

- You will *not* need the RELVOL2 volume.
- For non-SSI, you will need five volumes.
- For SSI, you will need five volumes for member 1, plus three volumes for each additional member.
- If the size of your 3390 volumes is less than 12300 cylinders:
  - If you choose to load all products to minidisk:
    - You will need the RELVOL2 volume.
    - For non-SSI, you will need six volumes.
    - For SSI, you will need six volumes for member 1, plus three volumes for each additional member.
  - If you choose to load all products to file pool:
    - You will *not* need the RELVOL2 volume.
    - For non-SSI, you will need five volumes.
    - For SSI, you will need five volumes for member 1, plus three volumes for each additional member.
  - If you choose to load some products to minidisk and some products to file pool:
    - You might or might not need the RELVOL2 volume.

Based on the size of your installation volumes, the INSTPLAN command (which you will run in Chapter 5, “Non-SSI traditional installation method,” on page 47 or Chapter 6, “SSI traditional installation method,” on page 61) will indicate whether or not you need RELVOL2.

**Note:** IBM strongly suggests that you *not* use any remaining space on the installation volumes.

- b. Record the address for each 3390 volume in the **Address** column. If you are changing any of the default installation labels, record the new labels in the **New Label** column. Disregard any volumes that you do not need. Note that you must *not* use any of IBM's default volume labels for a volume other than the volume for which it is originally defined.
  - Volume labels must be 1 to 6 alphanumeric characters.
  - Address 0000 cannot be used for installation.
  - If you selected non-SSI, use traditional installation worksheet 2 (Table 2 on page 18).
  - If you selected SSI, use traditional installation worksheet 6 (Table 6 on page 19).

**Note:** The address of the VMCOM1 volume is written out by the SALIPL command to cylinder 0 of the IPL volume for each member (M0xRES), to be used at IPL time to locate the SYSTEM CONFIG file. Because of this, the address of the VMCOM1 volume cannot be redefined to a different address without rerunning SALIPL.

12. If you are installing to FBA (SCSI) volumes, use traditional installation worksheet 3 (Table 3 on page 18). Record the address for each volume in the **Address** column. If you are changing any of the default installation labels, record the new labels in the **New Label** column. Note that you must *not* use any of IBM's default volume labels for a volume other than the volume for which it is originally defined.
  - FBA (SCSI) can be used for non-SSI installation only.
  - Volume labels must be 1 to 6 alphanumeric characters.
  - Address 0000 cannot be used for installation.
  - If the size of your FBA volumes is equal to or greater than 9 GB:
    - You will need five volumes. You will *not* need the RELVOL2 volume.
  - If the size of your FBA volumes is less than 9 GB:
    - If you choose to load all products to minidisk, you will need six volumes.

### Step 3. Complete the installation worksheets

- If you choose to load all products to file pool, you will need five volumes. You will *not* need the RELVOL2 volume.
- If you choose to load some products to minidisk and some products to file pool, you might or might not need the RELVOL2 volume. Based on the size of your installation volumes, the INSTPLAN command (which you will run in [Chapter 5, “Non-SSI traditional installation method,”](#) on page 47) will indicate whether or not you need RELVOL2.

**Note:** IBM strongly suggests that you *not* use any remaining space on the installation volumes.

13. If you are using FBA (SCSI) volumes, and they are defined already, you only need the addresses of the volumes and you can continue to the next substep. If they are *not* defined already, you need to know the logical unit number (LUN) and worldwide port number (WWPN) address for each volume, as well as the valid Fibre Channel Protocol (FCP) address (or addresses) or the channel path to which they belong.

Record each LUN and its corresponding WWPN on traditional installation worksheet 3 ([Table 3 on page 18](#)). Also make a note of the valid FCP address (or addresses) or channel path identifier (CHPID).

14. If you selected SSI and First-level in substep [“10.b.i” on page 14](#), complete traditional worksheet 7 ([Table 7 on page 20](#)):
  - a. Enter the real addresses of the COMMON volume as it is defined to each LPAR. The COMMON volume must be available to each LPAR where your SSI cluster will run.
  - b. If installing more than one member, specify the CTCA addresses that will be used to communicate between members of the SSI cluster.

**Notes:**

- i) Each SSI member must have at least one CTC connection to every other SSI member.
  - ii) Installation allows you to define up to two connections between any two members. More connections can be defined after installation is complete.
  - iii) The number of CTC device addresses defined for communication between two members must be the same.
15. If you are installing with an FTP server (secure or non-secure) using a physical DVD, a USB flash drive, or the server directory, record the path information required to access the DVD drive, USB flash drive, or FTP directory on traditional installation worksheet 4 ([Table 4 on page 18](#)).
    - a. Record the IP address or host name of the FTP server.
    - b. Record the user ID and password of the FTP server.
    - c. Record the path name of the DVD drive, USB flash drive, or FTP directory for the FTP server.
  16. If you are installing from a VM minidisk, record the VM user ID and address of the VM minidisk where contents of the z/VM product DVD will be uploaded on traditional installation worksheet 4 ([Table 4 on page 18](#)).

### What to do next

Go to [“Step 4. Choose your next step” on page 21](#).

## Traditional installation worksheets

<i>Table 1. Traditional installation worksheet 1</i>					
<b>Installation method (first-level or second-level):</b> _____					
<b>First-level real storage (first-level installation only):</b> _____					
In the <b>Install to:</b> column, record an <b>M</b> if you will load the product to a minidisk or an <b>F</b> if you will load the product to the VMPSFS file pool.					
<b>Install to:</b>	<b>Product</b>	<b>Install to:</b>	<b>Product</b>	<b>Install to:</b>	<b>Product</b>
	VM		DIRM		ICKDSF
	PERFTK		RACF		RSCS
	TCPIP		VMHCD		
Default system language: _____					
DASD type: _____					
Volume size: _____					
Common service file pool name: _____					
Default password: _____					
<b>Installation Type:</b>					
__ Non-SSI					
System name*: _____					
__ SSI          Number of members: ____					
SSI cluster name: _____					
* The system name you select should be considered a <i><b>permanent</b></i> name. Changing the system name after installation is a complicated process.					

*Table 2. Traditional installation worksheet 2 (3390 Non-SSI Only)*

Volume Type	Default Label	New Label	Address
COMMON	VMCOM1		
RELVOL	730RL1		
RELVOL2*	730RL2		
RES	M01RES		
SPOOL	M01S01		
PAGE	M01P01		

\* Depending on your planning choices, you might or might not need this volume.

**Note:** You must *not* use any of IBM's default volume labels for a volume other than the volume for which it is originally defined.

*Table 3. Traditional installation worksheet 3 (FBA Non-SSI Only)*

Volume Type	Default Label	New Label	Address	FCP Address	WWPN	LUN
COMMON	VMCOM1					
RELVOL	730RL1					
RELVOL2*	730RL2					
RES	M01RES					
SPOOL	M01S01					
PAGE	M01P01					

Channel path (CHPID): \_\_\_\_\_

Valid FCP addresses: \_\_\_\_\_

\* Depending on your planning choices, you might or might not need this volume.

**Note:** You must *not* use any of IBM's default volume labels for a volume other than the volume for which it is originally defined.

*Table 4. Traditional installation worksheet 4*

IP address or host name: \_\_\_\_\_

User ID and password of FTP server: \_\_\_\_\_

Path name of DVD drive, USB flash drive, or FTP directory: \_\_\_\_\_

VM user ID and address of VM minidisk to upload DVD: \_\_\_\_\_

*Table 5. Traditional installation worksheet 5 (3390 SSI Only)*

**After installation is complete, SSI will be IPLed:**

\_\_ First-level  
 \_\_ Second-level

**SSI Member Name(s) / IPL LPAR Name(s) or User ID Name(s):**

Slot Number	Member Name*	IPL LPAR / User ID
1		
2		
3		
4		

\* The member names you select should be considered *permanent* names. Changing a member name after installation is a complicated process.

*Table 6. Traditional installation worksheet 6 (3390 SSI Only)*

Volume Type	Default Label	New Label	Address				
COMMON	VMCOM1						
RELVOL	730RL1						
RELVOL2*	730RL2						
Volume Type	Default Label	New Label	Address	Volume Type	Default Label	New Label	Address
<b>Member 1:</b>				<b>Member 2:</b>			
RES	M01RES			RES	M02RES		
SPOOL	M01S01			SPOOL	M02S01		
PAGE	M01P01			PAGE	M02P01		
<b>Member 3:</b>				<b>Member 4:</b>			
RES	M03RES			RES	M04RES		
SPOOL	M03S01			SPOOL	M04S01		
PAGE	M03P01			PAGE	M04P01		

\* Depending on your planning choices, you might or might not need this volume.

**Note:** You must *not* use any of IBM's default volume labels for a volume other than the volume for which it is originally defined.

<i>Table 7. Traditional installation worksheet 7 (SSI First-Level Configuration Only)</i>			
<b>Real addresses for the COMMON volume on each member LPAR:</b>			
<b>Member 1 Address</b>	<b>Member 2 Address</b>	<b>Member 3 Address</b>	<b>Member 4 Address</b>
CTC device addresses:			
From: Member 1		From: Member 2	
To: Member 1	N/A	To: Member 1	-----
To: Member 2	-----	To: Member 2	N/A
To: Member 3	-----	To: Member 3	-----
To: Member 4	-----	To: Member 4	-----
From: Member 3		From: Member 4	
To: Member 1	-----	To: Member 1	-----
To: Member 2	-----	To: Member 2	-----
To: Member 3	N/A	To: Member 3	-----
To: Member 4	-----	To: Member 4	N/A



## Step 4. Choose your next step

---

### What to do next

Base your choice on the installation method that fits your situation.

<b>If you chose:</b>	<b>Go to:</b>
The first-level installation method...	<a href="#">Chapter 3, “Traditional installation for first level,” on page 23</a>
The second-level installation method...	<a href="#">Chapter 4, “Traditional installation for second level,” on page 29</a>

**Choose your next step**

---

## Chapter 3. Traditional installation for first level

### **In this chapter, you will:**

- Use step-by-step procedures to IPL the RAMDISK and run DVDPRIME.

## Step 1. Load the RAMDISK

---

**Before you begin:** You need to complete worksheets 1 through 7 in “Traditional installation worksheets” on page 17. If you have not done so, return to [Chapter 2, “Plan your traditional installation,”](#) on page 7.

1. Prepare to access the installation files.

If you are installing from:

- An HMC DVD drive, load the z/VM product DVD in the HMC DVD drive.
  - An HMC USB port, put the USB flash drive into the USB port and wait until you see the drive mounted message from the HMC.
  - A USB port accessible to an FTP server, put the USB flash drive with the product code into the USB port.
  - An FTP server DVD drive, load the z/VM DISC 1 product DVD in the FTP-connected DVD drive.
  - An FTP server directory, if you have not already done so, upload the contents of each DVD or electronic deliverable to a new directory on the FTP server. After the contents of DISC 1 of the z/VM Product Package installation media have been uploaded, upload the contents of DISC 2 of the z/VM Product Package installation media to the same directory, overwriting any duplicate files.
    - a. Create a new directory on the FTP server. The maximum length of the directory path name is 40 characters. The FTP server will need at least 6 GB of free space.
    - b. Load the contents of DISC 1 and DISC 2 of the z/VM Product Package installation media to the directory. When copying the files, make sure the case is preserved.
2. On the HMC, open an integrated 3270 console for the LPAR you are going to use for installation.
    - a. In the Hardware Management Console, select the LPAR you are going to use for installation.
    - b. Under Recovery, click on **Integrated 3270 Console**. The Integrated 3270 Console window for that LPAR opens. Messages are displayed in the Integrated 3270 Console window when the system IPLs.
  3. Select **Load from Removable Media or Server** under Recovery for the LPAR you are going to use for installation. The Load from Removable Media or Server window is displayed.
  4. In the load window, select one of the following (note that only the options appropriate for your hardware and HMC are displayed):
    - **Hardware Management Console CD / DVD-ROM**
    - **Hardware Management Console USB flash memory drive**
    - **FTP Server**

**Attention:** Do *not* select:

- **Hardware Management Console CD / DVD-ROM and assign for operating system use**
- **Hardware Management Console USB flash memory drive and assign for operating system use**

If you are installing from:

- The HMC DVD drive, select **Hardware Management Console CD / DVD-ROM**
- The HMC USB flash drive, select **Hardware Management Console USB flash memory drive**
- An FTP server DVD drive, select **FTP Server**
- An FTP server USB flash drive, select **FTP Server**
- An FTP server directory, select **FTP Server**.

**Note:** If you are installing from an FTP server directory, the contents of DISC 1 and DISC 2 of the z/VM Product Package installation media must have been copied into the same directory on the FTP server.

5. Fill in the fields in the task window.

If you selected:

- **Hardware Management Console CD-ROM / DVD**, enter /CPDVD as the file location.
- **Hardware Management Console USB flash memory drive**, enter /CPDVD as the file location.
- **FTP Server** and you are using an FTP server DVD drive or USB flash drive:
  - Specify the FTP connection information for the server (host computer, user ID, and password).
  - Enter the path information required by your FTP server (a DVD drive letter or blank, for example) to access the DVD drive or USB flash drive, followed by /CPDVD.
  - If necessary, select the security protocol for your FTP server.
- **FTP Server** and you are using an FTP server directory:
  - Specify the FTP connection information for the server (host computer, user ID, and password).
  - Enter the path to the directory where you uploaded the z/VM product DVD as the file location.
  - If necessary, select the security protocol for your FTP server.

**Note:** If using a DVD drive, wait until the light on the drive goes out or stops blinking before continuing.

6. Click **OK** to continue. The **Load from Removable Media or Server - Select Software to Install** task window is displayed.
7. Load the RAMDISK.
  - a. In the task window, select **730VM.ins**, and click **OK**. One or more **Confirm the Action** prompts are displayed.
  - b. Click **Yes** to continue.
  - c. Messages indicating the status of the load are displayed in the task progress window. When a message is displayed indicating that the load is successful, click **OK** to close the window and return to the **Integrated 3270 Console** window for the LPAR you are going to use for installation.
 

**Note:** If message ACTZ0197 is issued, check the following:

    - Does the LPAR profile specify at least 768 MB of processor storage? If yes, was the LPAR deactivated or activated to activate any changes in the profile?
    - Are the HMC and the primary SE of the LPAR allowed to access the FTP source?
    - Are all required files available on the DVD drive or USB flash drive, or in the FTP server directory?
8. The RAMDISK IPLs and the system loads with the MAINT user ID logged on. System messages are displayed in the **Integrated 3270 Console** window.

```

hh:mm:ss z/VM V7 R3.0 SERVICE LEVEL nnnn (64-BIT)

hh:mm:ss SYSTEM NUCLEUS CREATED ON yyyy-mm-dd AT hh:mm:ss, LOADED FROM $RAMD$
hh:mm:ss
hh:mm:ss *****
hh:mm:ss * LICENSED MATERIALS - PROPERTY OF IBM* *
hh:mm:ss * 5741-A09 (C) COPYRIGHT IBM CORP. 1983, 2022. ALL RIGHTS *
hh:mm:ss * RESERVED. US GOVERNMENT USERS RESTRICTED RIGHTS - USE *
hh:mm:ss * DUPLICATION OR DISCLOSURE RESTRICTED BY GSA ADP SCHEDULE *
hh:mm:ss * CONTRACT WITH IBM CORP. *
hh:mm:ss * *
hh:mm:ss * * TRADEMARK OF INTERNATIONAL BUSINESS MACHINES *
hh:mm:ss *****
hh:mm:ss
hh:mm:ss HCPZC06718I Using parm disk 1 on volume $RAMD$ (device nnnn).
hh:mm:ss HCPZC06718I Parm disk resides on blocks nnn through nnn.
:
hh:mm:ss HCPCRC8082I Accounting records are accumulating for userid OPERACCT
hh:mm:ss HCPCRC8082I EREP records are accumulating for userid OPEREREP

DMSIND2015W Unable to access the Y-disk. File mode Y (19E) not accessed
DMSWSP327I The installation saved segment could not be loaded
z/VM V7.3.0 yyyy-mm-dd hh:mm
DMSDCS1083E Saved segment CMSPIPES does not exist
DMSDCS1083E Saved segment CMSPIPES does not exist
DMSDCS1083E Saved segment CMSVLIB does not exist
Ready; T=n.nn/n.nn hh:mm:ss

```

## Step 2. Run DVDPRIME

---

1. Run DVDPRIME with the *dasdtype* and *source* you are using to install.

```
dvdprime dasdtype (source
```

***dasdtype***

**3390** or **FBA**

***source***

One of the following:

**dvd**

If installing from a physical DVD loaded in an HMC or FTP server drive or a USB flash drive inserted into an HMC or FTP server USB port

**server**

If installing from an FTP server that has access to a directory where the files from the physical DVD or electronic deliverables have been stored

```
IUGDVP8327I ** Now executing DVDPRIME on date at time **  
IUGDVP8440I Now loading 4CC disk  
DVDLOAD: LOADING FILE 'FBA22200 IMAGE *'  
DVDLOAD: RC=0  
MDREST: WROTE 1800 BLOCKS ON 04CC, RC=0  
IUGDVP8392I DVDPRIME EXEC ended successfully  
Ready; T=n.nn/n.nn hh:mm:ss
```

## Step 3. Choose your next step

---

### What to do next

<b>If this is:</b>	<b>Go to:</b>
A non-SSI installation...	<a href="#">Chapter 5, “Non-SSI traditional installation method,” on page 47</a>
An SSI installation...	<a href="#">Chapter 6, “SSI traditional installation method,” on page 61</a>

**Choose your next step**



---

## Chapter 4. Traditional installation for second level

### In this chapter, you will:

- Set up the user ID for installation.
- Use DVDPRIME to load the 24CC and 2CF0 minidisks.

Base your choice on which source you will use to perform a second-level installation.

<b>If you chose to install from:</b>	<b>Go to:</b>
A physical DVD or a USB flash drive...	<a href="#">“Step 1. Set up to install from a DVD or USB flash drive” on page 30</a>
An FTP server directory...	<a href="#">“Step 2. Set up to install from an FTP server directory” on page 34</a>
A VM minidisk...	<a href="#">“Step 3. Set up to install from a VM minidisk” on page 38</a>

## Step 1. Set up to install from a DVD or USB flash drive

### Step 1a. Set up the user ID for installation

**Before you begin:** You need to complete worksheets 1 through 7 in “Traditional installation worksheets” on page 17. If you have not done so, return to Chapter 2, “Plan your traditional installation,” on page 7.

1. Do one of the following:
  - a. Load the z/VM Product Package for installation on *type* - DISC 1 in the DVD drive of the FTP server you are using for installation, where *type* is the DASD type you selected to use to install: 3390 or SCSI (FBA). Wait until the light goes out or stops blinking to continue.
  - b. Put the USB flash drive into the USB port that can be accessed by your FTP server.
2. Log on to the first-level user ID that you will use for installation. Make sure the user ID meets the user ID requirements listed under “Second-level installation requirements” on page 10.
3. Spool the console to make sure it is empty, started, and spooled to the reader.

```
spool console close start *
RDR FILE filenum SENT FROM userid CON WAS nnnn RECS nnnn CPY nnn T NOHOLD NOKEEP
Ready;
```

4. Verify that you have a 2222 read/write minidisk with exactly 10 cylinders if installing to 3390 or 14400 512-KB blocks if installing to FBA.

```
query v 2222
DASD 2222 3390 xxxxxxx R/W          10 CYL ON DASD nnnn SUBCHANNEL = nnnn
Ready; T=n.nn/n.nn hh:mm:ss
```

5. Verify that INSTPIPE MODULE exists in your search order.

```
listfile instpipe module *
INSTPIPE MODULE fm
```

If you receive:

```
DMSLST002E file not found
```

access the disk that contains the INSTPIPE MODULE.

**Note:** The INSTPIPE MODULE was shipped on the MAINT 193 minidisk.

6. Copy the files needed to run DVDPRIME from the DVD to the 2222 minidisk.
  - a. Run **INSTPIPE**.

```
instpipe
Ready; T=n.nn/n.nn hh:mm:ss
```

- b. Copy the files from the DVD to the 2222 minidisk.

**Note:** The information for *host*, *userid*, *password*, and *ftpdir* was recorded in traditional installation worksheet 4 (Table 4 on page 18).

```
pipe ftpget -h host -u userid -p password -d ftpdir/CPDVD -v BEF -DVDEOF
-f ddd222* |UNPACK| restcmd 2222
```

**host**

The IP address or FTP host name. An IP address is in dotted-decimal form for your IPv4 interface (for example: 129.42.16.99). A host name must begin with a letter, and can contain only alphanumeric characters (A-Z, a-z, 0-9) or hyphens (-) (for example: MyOrg-VM01).

**userid**

The user ID that is used to log on to the FTP server. The maximum length is 40 alphanumeric characters.

**password**

The password for the user ID that is used to log on to the FTP server. The maximum length is 40 alphanumeric characters.

**ftpd**

The path to the DVD drive or USB flash drive with /CPDVD appended to the end of the path. The maximum length is 40 characters. For example:

```
myvdvdrive/CPDVD
cpdvd
e:/cpdvd
vmftpd/CPDVD
```

**ddd**

CKD for 3390 or FBA for FBA (SCSI). This value must be entered in uppercase.

**restcmd**

ECKDREST for 3390 or MDREST for FBA (SCSI).

**Note:** In the previous **pipe** command, you can use a different stage separator by including the **stagesep** keyword. For example:

```
pipe ( stagesep ! ) ftpget -h host -u userid
-p password -d ftpdir/CPDVD -v BEF -DVDEOF
-f ddd222* !UNPACK! restcmd 2222
```

```
{FBA222*|CKD222*}
```

```
DMSRXS1408W File TCPIP DATA * not found
```

You might not receive this message.

```
{MDREST|ECKDREST}: WROTE nnn {BLOCKS|
TRACKS} ON 2222, RC=0
Ready; T=n.nn/n.nn hh:mm:ss
```

## Step 1b. Run DVDPRIME

1. IPL CMS to remove the old INSTPIPE MODULE from storage.

```
ipl cms
z/VM Vv.r.m      yyyy-mm-dd hh:mm
ENTER
Ready; T=n.nn/n.nn hh:mm:ss
```

2. Access the 2222 minidisk as file mode C.

```
access 2222 c
Ready; T=n.nn/n.nn hh:mm:ss
```

3. Verify that the first occurrence of the INSTPIPE MODULE is on the minidisk accessed as file mode C. Remove or rename all other copies.

```
listfile instpipe module *
INSTPIPE MODULE C1
Ready; T=n.nn/n.nn hh:mm:ss
```

4. Run DVDPRIME with the *dasdtype* you are using to install.

```
dvdprime dasdtype (dvd
```

***dasdtype***  
3390 or FBA.

```
IUGDVP8327I ** Now executing DVDPRIME on date at time **
```

5. Complete the DVDPRIME panel by filling in the information for your FTP server.

**Note:** The information for HOSTNAME OR IP ADDRESS, FTP USERID, FTP PASSWORD, and DVD PATHNAME was recorded in traditional installation worksheet 4 ([Table 4 on page 18](#)).

```

*** DVDPRIME PANEL ***

Enter information in empty fields and press F5 to process.

HOSTNAME OR IP ADDRESS:  _____
FTP USERID:              _____
FTP PASSWORD:            _____
DVD PATHNAME:            _____
PORT NUMBER:              21_____

F1 = HELP   F3/F12 = QUIT   F5 = Process   ENTER = Refresh
    
```

Figure 1. DVDPRIME Panel

### HOSTNAME OR IP ADDRESS:

This field should be filled in with the IP ADDRESS or HOSTNAME of your FTP server. A host name must begin with a letter, and can contain only alphanumeric characters (A-Z, a-z, 0-9) or hyphens (-) (for example: MyOrg-VM01).

Specify an IP address in dotted-decimal form for your IP V4 interface (for example: 129.42.16.99).

**FTP USERID:**

The user ID used to log on to the FTP server. The maximum length is 40 alphanumeric characters.

**FTP PASSWORD:**

The password used to log on to the FTP server. The maximum length is 40 alphanumeric characters.

**DVD PATHNAME:**

Enter the path to the DVD drive or USB flash drive according to the conventions used by your server and append /CPDVD to the end of your path. This should be the same path name used on the **ftpget** command in Step 1, substep “6” on page 30. The maximum length is 40 characters. For example:

```
mydvddrive/CPDVD
cpdvd
e:/cpdvd
vmftpdire/CPDVD
```

**PORT NUMBER:**

The FTP server's port number. The default port number is 21.

6. Press F5 to process.

```
F5
IUGDVP8440I Now loading 24CC disk
{FBA222*|CKD222*}

{MDREST|ECKDREST}: WROTE nnnn {BLOCKS|TRACKS} ON 24CC, RC=0

IUGDVP8440I Now loading 2CF0 disk
{FBACF0*|CKDCF0*}

{MDREST|ECKDREST}: WROTE nnnn {BLOCKS|TRACKS} ON 2CF0, RC=0

IUGDVP8392I DVDPRIME EXEC ended successfully
Ready; T=n.nn/n.nn hh:mm:ss
```

**What to do next**

Go to “[Step 4. Choose your next step](#)” on page 46.

## Step 2. Set up to install from an FTP server directory

### Step 2a. Set up the user ID for installation

**Before you begin:** You need to complete worksheets 1 through 7 in “Traditional installation worksheets” on page 17. If you have not done so, return to Chapter 2, “Plan your traditional installation,” on page 7.

The RSU that is shipped as part of the z/VM product will be installed during the installation process. Do not attempt to skip installing the RSU. If additional service is required, it can be installed after your initial installation (part 2) is complete.

1. Upload the contents of each DVD or electronic deliverable to the directory. After the contents of DISC 1 of the z/VM Product Package installation media have been uploaded, upload the contents of DISC 2 of the z/VM Product Package installation media to the same directory, overwriting any duplicate files.
  - a. Create a new directory on the FTP server. The maximum length of the directory path name is 40 characters. The FTP server will need at least 6 GB of free space.
  - b. Load the contents of DISC 1 and DISC 2 of the z/VM Product Package installation media to the directory. When copying the files, make sure the case is preserved.
2. Log on to the first-level user ID that you will use for installation. Make sure the user ID meets the “Second-level installation requirements” on page 10.
3. Spool the console to make sure it is empty, started, and spooled to the reader.

```
spool console close start *
RDR FILE filename SENT FROM userid CON WAS nnnn RECS nnnn CPY nnn T NOHOLD NOKEEP
Ready;
```

4. Verify that you have a 2222 read/write minidisk with exactly 10 cylinders if installing to 3390 or 14400 512-KB blocks if installing to FBA.

```
query v 2222
DASD 2222 3390 xxxxxxx R/W          10 CYL ON DASD nnnn SUBCHANNEL = nnnn
Ready; T=n.nn/n.nn hh:mm:ss
```

5. Verify that INSTPIPE MODULE exists in your search order.

```
listfile instpipe module *
INSTPIPE MODULE fm
```

If you receive:

```
DMSLST002E file not found
```

access the disk that contains the INSTPIPE MODULE.

**Note:** The INSTPIPE MODULE was shipped on the MAINT 193 minidisk.

6. Copy the files needed to run DVDPRIME to the 2222 minidisk from the FTP server.
  - a. Run **INSTPIPE**.

```
instpipe
Ready; T=n.nn/n.nn hh:mm:ss
```

- b. Copy the files from the FTP server to the 2222 minidisk.

**Note:** The information for *host*, *userid*, *password*, and *ftpd* was recorded in traditional installation worksheet 4 (Table 4 on page 18).

```
pipe ftpget -h host -u userid -p password -d ftpdir
-v BEF -DVDEOF -f ddd222* |UNPACK| restcmd 2222
```

**host**

The IP address or FTP host name. An IP address is in dotted-decimal form for your IPv4 interface (for example: 129.42.16.99). A host name must begin with a letter, and can contain only alphanumeric characters (A-Z, a-z, 0-9) or hyphens (-) (for example: MyOrg-VM01).

**userid**

The user ID used to log on to the FTP server. The maximum length is 40 alphanumeric characters.

**password**

The password used to log on to the FTP server. The maximum length is 40 alphanumeric characters.

**ftpdir**

The path to the FTP server directory where you loaded the contents of the z/VM product deliverables in substep “1” on page 34. The maximum length is 40 characters.

**ddd**

CKD for 3390 or FBA for FBA (SCSI). This value must be entered in uppercase.

**restcmd**

ECKDREST for 3390 or MDREST for FBA (SCSI).

**Note:** In the previous **pipe** command, you can use a different stage separator by including the **stagesep** keyword. For example:

```
pipe ( stagesep ! ) ftpget -h host
-u userid -p password -d ftpdir
-v BEF -DVDEOF -f ddd222*
!UNPACK! restcmd 2222
```

```
{FBA222*|CKD222*}
```

```
DMSRXS1408W File TCPIP DATA * not found
```

You might not receive this message.

```
{MDREST|ECKDREST}: WROTE nnn {BLOCKS|
TRACKS} ON 2222, RC=0
Ready; T=n.nn/n.nn hh:mm:ss
```

## Step 2b. Run DVDPRIME

1. IPL CMS to remove the old INSTPIPE MODULE from storage.

```
ipl cms
z/VM Vv.r.m      yyyy-mm-dd hh:mm

ENTER
Ready; T=n.nn/n.nn hh:mm:ss
```

2. Access the 2222 minidisk as file mode C.

```
access 2222 c
Ready; T=n.nn/n.nn hh:mm:ss
```

3. Verify that the first occurrence of the INSTPIPE MODULE is on the minidisk accessed as file mode C. Remove or rename all other copies.

```
listfile instpipe module *
INSTPIPE MODULE C1
Ready; T=n.nn/n.nn hh:mm:ss
```

4. Run DVDPRIME with the *dasdtype* you are using to install.

```
dvdprime dasdtype (server) dasdtype
                                     3390 or FBA.
```

```
IUGDVP8327I ** Now executing DVDPRIME on date at time **
```

5. Complete the DVDPRIME panel by filling in the information for your FTP server.

**Note:** The information for HOSTNAME OR IP ADDRESS, FTP USERID, FTP PASSWORD, and DVD PATHNAME was recorded in traditional installation worksheet 4 ([Table 4 on page 18](#)).

```

*** DVDPRIME PANEL ***

Enter information in empty fields and press F5 to process.

HOSTNAME OR IP ADDRESS:  _____
FTP USERID:              _____
FTP PASSWORD:            _____
DVD PATHNAME:            _____
PORT NUMBER:             21_____

F1 = HELP   F3/F12 = QUIT   F5 = Process   ENTER = Refresh
```

Figure 2. DVDPRIME Panel

### HOSTNAME OR IP ADDRESS:

This field should be filled in with the IP ADDRESS or HOSTNAME of your FTP server. A host name must begin with a letter, and can contain only alphanumeric characters (A-Z, a-z, 0-9) or hyphens (-) (for example: MyOrg-VM01).

Specify an IP address in dotted-decimal form for your IP V4 interface (for example: 129.42.16.99).



**FTP USERID:**

The user ID used to log on to the FTP server. The maximum length is 40 alphanumeric characters.

**FTP PASSWORD:**

The password used to log on to the FTP server. The maximum length is 40 alphanumeric characters.

**DVD PATHNAME:**

Enter the path to the FTP server directory according to the conventions used by your server. The maximum length is 40 characters. For example:

```
mydvddrive/ftkdir
e:/dirname
vmftkdir
```

**PORT NUMBER:**

The FTP server's port number. The default port number is 21.

6. Press F5 to process.

**F5**

```
IUGDVP8440I Now loading 24CC disk
{FBA222*|CKD222*}

{MDREST|ECKDREST}: WROTE nnnn {BLOCKS|TRACKS} ON 24CC, RC=0

IUGDVP8440I Now loading 2CF0 disk
{FBACF0*|CKDCF0*}

{MDREST|ECKDREST}: WROTE nnnn {BLOCKS|TRACKS} ON 2CF0, RC=0

IUGDVP8392I DVDPRIME EXEC ended successfully
Ready; T=n.nn/n.nn hh:mm:ss
```

**What to do next**

Go to [“Step 4. Choose your next step” on page 46.](#)

## Step 3. Set up to install from a VM minidisk

### Step 3a. Set up the user ID for installation

**Before you begin:** You need to complete worksheets 1 through 7 in “Traditional installation worksheets” on page 17. If you have not done so, return to Chapter 2, “Plan your traditional installation,” on page 7.

The RSU that is shipped as part of the z/VM product will be installed during the installation process. Do not attempt to skip installing the RSU. If additional service is required, it can be installed after your initial installation (part 2) is complete.

1. Log on to the first-level user ID that you will use for installation. Make sure the user ID meets the user ID requirements listed in “Second-level installation requirements” on page 10.
2. If you have already loaded the files from the z/VM product deliverables to a minidisk, link and access that minidisk as file mode W and skip to step “16” on page 43.
3. Link to the VM minidisk where you will load the files from the z/VM product deliverables. The VM minidisk needs to have the equivalent of at least 8000 cylinders of available 3390 DASD space. The minidisk must not contain any other image files. You must link the minidisk in write mode.

**Note:** The information for *userid* and *diskaddr* was recorded in traditional installation worksheet 4 (Table 4 on page 18).

```
link userid diskaddr diskaddr MR
Ready; T=n.nn/n.nn hh:mm:ss
```

4. Access the VM minidisk as file mode W.

```
access diskaddr w
Ready; T=n.nn/n.nn hh:mm:ss
```

#### **diskaddr**

The address of the CMS-formatted VM minidisk where the files from the z/VM product deliverables are to be copied.

5. Link to the 592 TCP/IP client code minidisk.

```
link tcpmaint 592 592 rr
Ready; T=n.nn/n.nn hh:mm:ss
```

6. Access the 592 TCP/IP client code minidisk as file mode Z.

```
access 592 z
Ready; T=n.nn/n.nn hh:mm:ss
```

7. Set the terminal to alert you one second after CP issues the MORE . . . status and to clear one second after the alert.

```
terminal more 1 1
Ready;
```

8. Copy the contents of DISC 1 and DISC 2 of the z/VM Product Package installation media (DVDs or electronic envelopes) to the VM minidisk accessed as file mode W.

#### **Notes:**

- If you are using an FTP server running on your VM system, use the instructions in Appendix K, “Using a z/VM FTP server to receive and load files to a z/VM minidisk,” on page 283. After loading the files, continue with substep “16” on page 43.

- If you do not have any FTP server, you can use the upload function of your terminal emulator to load the files to the minidisk. See Appendix J, “Using a terminal emulator to upload files,” on page 281. After uploading the files using your terminal emulator, continue with substep “16” on page 43.
- If you are using an FTP server running on a workstation, continue with this substep.

If you have copied the contents of DISC 1 and DISC 2 to a directory on the hard drive of your workstation (or to a USB flash drive accessible to the FTP server), continue with this substep and substeps “9” on page 40 through “11” on page 41. Skip substeps “12” on page 41 through “15” on page 43. When verifying the number of files that were uploaded to the VM minidisk (substep “10” on page 40), you should add the number of files listed in 730PROD1.DVDIMAGE and 730PROD2.DVDIMAGE and then compare that sum to the number of files listed in the Size=*nnnn* field.

Note that wherever the DVD path is referenced, if necessary, you can substitute the path to the workstation hard drive where you have loaded the contents of DISC 1 and DISC 2.

- If installing from a physical DVD, load DISC 1 of the z/VM Product Package installation media in the DVD drive of the FTP server you are using for installation. Wait until the light on the DVD drive goes out or stops blinking before continuing.
- Start an FTP session.

```
ftp
VM TCP/IP FTP Level nnn
```

- Connect to the FTP server. Enter the FTP server IP address or host name (*host*), the user ID used to log on to the FTP server (*userid*), and the password for the user ID used to log on to the FTP server (*password*).

**Note:** The information for *host*, *userid*, *password*, and *ftpd* was recorded in traditional installation worksheet 4 (Table 4 on page 18).

```
OPEN (name of foreign host):
host

Connecting to host
220 FTP Server ready...
USER (identify yourself to the host):
userid

>>>USER userid
331 User name okay, need password.
Password:
password

>>>PASS *****
230 User logged in, proceed
```

- Change the remote directory to the FTP path of the DVD drive or FTP server (*ftpd*). If loading from a physical DVD, append /CPDVD to the end of the path (for example: e: /CPDVD).

```
Command:
cd ftpdir/CPDVD

>>>CWD ftpdir/CPDVD
250 Directory changed to ftpdir/CPDVD
```

- Change the local directory to W.

## From a VM minidisk - Step 3a. Set up the user ID for installation

```
Command:
lcd w

Local directory mode is 'W'
```

- f. Set the file transfer mode to **binary**, the record format to **fixed**, and the record length to **1028**.

```
Command:
binary f 1028

>>>TYPE i
200 Type set to I.
Command:
```

- g. Copy all required files from DISC 1 of the z/VM Product Package installation media.

```
mget ddd*
```

**ddd**

CKD for 3390 or FBA for FBA (SCSI). This value must be entered in uppercase.

```
>>>TYPE a
200 Type set to A
>>>PORT host
200 PORT Command successful.
>>>NLST ddd*
150 Opening ASCII mode data connection for /bin/ls.
226 Transfer complete.
>>>TYPE i
200 Type set to I.
>>>PORT host
200 PORT Command successful.
>>>RETR dddnnnnn
150 Opening BINARY mode data connection for dddnnnnn (nnnnnnn Bytes).
nnnnnn bytes transferred.
226 Transfer complete.
nnnnnn bytes transferred in nn.nnn seconds. Transfer rate nnn.nn Kbytes/sec.
:
```

- h. When all files have been transferred, quit the FTP session.

```
Command:
quit

>>>QUIT
221 Goodbye!
Ready;
```

9. Verify that all of the files copied from DISC 1 of the z/VM Product Package installation media have a fixed (F) file format and a logical record length (LRECL) of 1028.

If the file format or logical record length of any file is incorrect, the files were copied incorrectly. Erase all of the files from the minidisk and copy the contents of DISC 1 of the z/VM Product Package installation media again, using the correct parameters. Repeat substep [“8” on page 38](#).

```
filelist * $default w
```

```
Cmd  Filename Filetype Fm Format Lrecl  Records  Blocks  Date  Time
:    xxx22200 $DEFAULT W1 F    1028    nnnn    nnn    dddd  tttt
```

10. Verify that all of the files were copied from DISC 1 of the z/VM Product Package installation media.

```
filelist * $default w
userid FILELIST W0 V 169 Trunc=169 Size=nnnn Line=1 Col=1 Alt=0
Cmd Filename Filetype Fm Format Lrecl Records Blocks Date Time
: xxx22200 $DEFAULT W1 F 1028 nnnn nnn dddd tttt
:
```

In the **Size=nnnn** field, *nnnn* is the number of \$DEFAULT files on the minidisk. DISC 1 of the z/VM Product Package installation media contains the 730PROD1 DVDIMAGE file, which lists the number of image files that should have been copied.

Verify that the numbers are the same. If the numbers are not the same, there are files missing. In this case, you can do one of the following:

- a. Copy the missing files.
  - i) Determine which files are missing. The 730PROD1 DVDIMAGE file contains a list of all of the files that should have been copied.
  - ii) Copy each of the the missing files from DISC 1 of the z/VM Product Package installation media by repeating substep “8” on page 38, replacing:

```
mget ddd
```

with:

```
get filename filename.$default
```

- b. Copy the contents of DISC 1 of the z/VM Product Package installation media again by repeating substep “8” on page 38.
11. The FTP MGET command copied the files with a file type of \$DEFAULT. The file type needs to be renamed to IMAGE.

```
rename * $default w = image =
Ready;
```

12. Copy the contents of DISC 2 of the z/VM Product Package installation media to the same VM minidisk used for the DISC 1 of the z/VM Product Package installation media.
- a. If installing from a physical DVD, load DISC 2 of the z/VM Product Package installation media in the DVD drive of the FTP server you are using for installation. Wait until the light on the DVD drive goes out or stops blinking before continuing.
  - b. Start an FTP session:

```
ftp
VM TCP/IP FTP Level nnn
```

- c. Connect to the FTP server. Enter the FTP server's IP address or host name (*host*), the user ID used to log on to the FTP server (*userid*), and the password for the user ID used to log on to the FTP server (*password*).

**Note:** The information for *host*, *userid*, *password*, and *ftpd* was recorded in traditional installation worksheet 4 (Table 4 on page 18).

```
OPEN (name of foreign host):
host

Connecting to host
220 FTP Server ready...
USER (identify yourself to the host):
userid
```

## From a VM minidisk - Step 3a. Set up the user ID for installation

```
>>>USER userid
331 User name okay, need password.
Password:
password

>>>PASS *****
230 User logged in, proceed
```

- d. Change the remote directory to the FTP path of the DVD drive or FTP server (*ftpd*). If loading from a physical DVD, append /CPDVD to the end of the path (for example: e: /CPDVD).

```
Command:
cd ftpdir/CPDVD

>>>CWD ftpdir/CPDVD
250 Directory changed to ftpdir/CPDVD
```

- e. Change the local directory to W.

```
Command:
lcd w

Local directory mode is 'W'
```

- f. Set the file transfer mode to **binary**, the record format to **fixed**, and the record length to **1028**.

```
Command:
binary f 1028

>>>TYPE i
200 Type set to I.
Command:
```

- g. Copy all required files from DISC 2 of the z/VM Product Package installation media.

```
mget ddd* (replace
```

```
ddd
```

CKD for 3390 or FBA for FBA (SCSI). This value must be entered in uppercase.

```
>>>TYPE a
200 Type set to A
>>>PORT host
200 PORT Command successful.
>>>NLST ddd*
150 Opening ASCII mode data connection for /bin/ls.
226 Transfer complete.
>>>TYPE i
200 Type set to I.
>>>PORT host
200 PORT Command successful.
>>>RETR dddnnnnn
150 Opening BINARY mode data connection for dddnnnnn (nnnnnnn Bytes).
nnnnnnn bytes transferred.
226 Transfer complete.
nnnnnnn bytes transferred in nn.nnn seconds. Transfer rate nnn.nn Kbytes/sec.
:
```

- h. When all files have been transferred, quit the FTP session.

```
Command:
quit

>>>QUIT
221 Goodbye!
Ready;
```

13. Verify that all of the files copied from DISC 2 of the z/VM Product Package installation media have a fixed (F) file format and a logical record length (LRECL) of 1028.

If the file format or logical record length of any file is incorrect, the files were copied incorrectly. Erase all of the new \$DEFAULT files from the minidisk and copy the contents of DISC 2 of the z/VM Product Package installation media again, using the correct parameters. Repeat substep “12” on page 41.

```
filelist * $default w
```

```
Cmd  Filename Filetype Fm Format Lrecl  Records  Blocks  Date  Time
:    xxx50000 $DEFAULT W1 F    1028    nnnn    nnn    dddd  tttt
:
```

14. Verify that all of the files were copied from DISC 2 of the z/VM Product Package installation media.

```
filelist * $default w
```

```
userid  FILELIST W0 V 169 Trunc=169 Size=nnnn Line=1 Col=1 Alt=0
Cmd  Filename Filetype Fm Format Lrecl  Records  Blocks  Date  Time
:    xxx50000 $DEFAULT W1 F    1028    nnnn    nnn    dddd  tttt
:
```

In the **Size=nnnn** field, *nnnn* is the number of \$DEFAULT files from DISC 2 of the z/VM Product Package installation media on the minidisk. DISC 2 contains the 730PROD2 DVDIMAGE file, which lists the number of image files that should have been copied.

Verify that the numbers are the same. If the numbers are not the same, there are files missing. In this case, you can do one of the following:

- a. Copy the missing files.
  - i) Determine which files are missing. The 730PROD2 DVDIMAGE file contains a list of all of the files that should have been copied.
  - ii) Copy each of the the missing files from DISC 2 of the z/VM Product Package installation media by repeating substep “12” on page 41, replacing:

```
mget ddd* (replace
```

with:

```
get filename filename.$default
```

- b. Copy the contents of DISC 2 of the z/VM Product Package installation media again by repeating substep “12” on page 41.

15. The FTP MGET command copied the files with a file type of \$DEFAULT. The file type needs to be renamed to IMAGE.

```
rename * $default w = image =
Ready;
```

16. Set the terminal to alert you 50 seconds after CP issues the MORE . . . status and to clear 10 seconds after the alert.

```
terminal more 50 10
Ready;
```

17. Spool the console to make sure it is empty, started, and spooled to the reader.

```
spool console close start *
RDR FILE filename SENT FROM userid CON WAS nnnn RECS nnnn CPY nnn T NOHOLD NOKEEP
Ready;
```

18. Verify that you have a 2222 read/write minidisk of exactly 10 cylinders if installing to 3390 or 14400 512-KB blocks if installing to FBA.

```
query v 2222
DASD 2222 3390 xxxxxx R/W          10 CYL ON DASD  nnnn SUBCHANNEL = nnnn
Ready; T=n.nn/n.nn hh:mm:ss
```

19. Verify that INSTPIPE MODULE exists in your search order.

```
listfile instpipe module *
INSTPIPE MODULE fm
```

If you receive:

```
DMSLST002E file not found
```

access the disk that contains the INSTPIPE MODULE.

**Note:** The INSTPIPE MODULE was shipped on the MAINT 193 minidisk.

20. Copy the files needed to run DVDPRIME to the 2222 minidisk.

a. Run INSTPIPE.

```
instpipe
Ready; T=n.nn/n.nn hh:mm:ss
```

b. Decode, unpack, and write the files needed to run DVDPRIME to the 2222 minidisk.

```
pipe dvddecod ddd222 image w |UNPACK| restcmd 2222
{MDREST|ECKDREST}: WROTE nnn {BLOCKS|TRACKS} ON 2222, RC=0
Ready; T=n.nn/n.nn hh:mm:ss
```

**ddd**

CKD for 3390 or FBA for FBA (SCSI). This value must be entered in uppercase.

**restcmd**

ECKDREST for 3390 or MDREST for FBA (SCSI).

**Note:** In the previous **pipe** command, you can use a different stage separator by including the **stagesep** keyword. For example:

```
pipe ( stagesep ! ) dvddecod ddd222
image w !UNPACK! restcmd 2222
```



## Step 3b. Run DVDPRIME

1. IPL CMS to remove the old INSTPIPE MODULE from storage.

```
ipl cms
z/VM Vv.r.m      yyyy-mm-dd hh:mm

ENTER
Ready; T=n.nn/n.nn hh:mm:ss
```

2. Access the minidisk that contains the image files as file mode W.

```
access diskaddr w
Ready; T=n.nn/n.nn hh:mm:ss
```

### **diskaddr**

The address of the minidisk where the image files were copied.

3. Access the 2222 minidisk as file mode C.

```
access 2222 c
Ready; T=n.nn/n.nn hh:mm:ss
```

4. Verify that the first occurrence of the INSTPIPE MODULE is on the minidisk accessed as file mode C. Remove or rename all other copies.

```
listfile instpipe module *
INSTPIPE MODULE C1
Ready; T=n.nn/n.nn hh:mm:ss
```

5. Run DVDPRIME with the *dasdtype* you are using to install.

```
dvdprime dasdtype (disk
```

### **dasdtype**

**3390 or FBA.**

```
IUGDVP8327I ** Now executing DVDPRIME on date at time **
IUGDVP8440I Now loading 24CC disk

{MDREST|ECKDREST}: WROTE nnnn {BLOCKS|TRACKS} ON 24CC, RC=0
IUGDVP8440I Now loading 2CF0 disk

{MDREST|ECKDREST}: WROTE nnnn {BLOCKS|TRACKS} ON 2CF0, RC=0
IUGDVP8392I DVDPRIME EXEC ended successfully
Ready; T=n.nn/n.nn hh:mm:ss
```

## Step 4. Choose your next step

---

### What to do next

<b>If this is:</b>	<b>Go to:</b>
A non-SSI installation...	<a href="#">Chapter 5, “Non-SSI traditional installation method,” on page 47</a>
An SSI installation...	<a href="#">Chapter 6, “SSI traditional installation method,” on page 61</a>

---

## Chapter 5. Non-SSI traditional installation method

### **In this chapter, you will:**

- Install a non-SSI z/VM system.

## Step 1. Run INSTPLAN for non-SSI

**Before you begin:** You need to complete worksheets 1 through 7 in “Traditional installation worksheets” on page 17. If you have not done so, return to Chapter 2, “Plan your traditional installation,” on page 7.

1. Verify that the correct minidisk (VDEV) is accessed as file mode C. If installing second-level, the disk address is 24CC. If installing first-level, the disk address is 4CC.

```
query disk c
LABEL VDEV M ...
MNTxxx addr C ...
Ready; T=n.nn/n.nn hh:mm:ss
```

2. If you are installing to FBA (SCSI) volumes, see traditional installation worksheet 3 (Table 3 on page 18) and query each address to verify it is not already defined for a different device (see example below). If the address is already in use, either detach the device or choose a different *dasdaddr* and verify that address does not exist.

For each address:

```
query voladdr
HCPQVD040E Device voladdr does not exist
Ready(00040);
```

Record any changed addresses in the **Address** column in traditional installation worksheet 3 (Table 3 on page 18).

3. Run INSTPLAN with the TRADITIONAL operand.

```
instplan traditional
```

The installation planning panels are displayed.

```

*** z/VM INSTALLATION PLANNING ***

Mark the product(s) selected to be installed into the filepool with an "F"
and those selected to be installed to minidisks with an "M"
  F      VM      F      DIRM      F      ICKDSF
  F      PERFTK   F      RACF      F      RSCS
  F      TCPIP   F      VMHCD

Select a System Default Language.
  _ AMENG      _ UCENG

Select a System DASD type. DASD size can be changed.
  _ 3390  10016  _ FBA DASD  6.0

Enter the name of common service filepool.
Filepool Name:  _____

Select a System Type: Non-SSI or SSI
  _ Non-SSI Install:  System Name _____
  _ SSI Install:     Number of Members _   SSI Cluster Name _____

Enter a default password for your system that adheres to restrictions
set by your security manager
Default Password:  WD5JU8QP

F1 = HELP      F3/F12 = QUIT      F5 = Process      ENTER = Refresh

```

Figure 3. z/VM Traditional Installation Planning Panel 1

- a. See traditional installation worksheet 1 (Table 1 on page 17) and enter:

- An **M** in the **Install to:** column for each product you selected to be installed onto minidisks.
  - An **F** in the **Install to:** column for each product you selected to be installed into the file pool.
- b. Place a nonblank character next to the System Default Language you selected for your system on traditional installation worksheet 1 ([Table 1 on page 17](#)).
  - c. Place a nonblank character in front of the DASD type that matches the System DASD type you will use, recorded on traditional installation worksheet 1 ([Table 1 on page 17](#)). Update the size to the volume size you will use, recorded on traditional installation worksheet 1 ([Table 1 on page 17](#)).
  - d. Fill in the Filepool1 Name for the common service file pool.
  - e. Place a nonblank character in front of the type of installation you selected for your system on traditional installation worksheet 1 ([Table 1 on page 17](#)) – in this case, Non-SSI Install.
  - f. Fill in the System Name.
  - g. If you selected a different default password, replace WD5JU8QP with the default password that you recorded on traditional installation worksheet 1 ([Table 1 on page 17](#)).
  - h. Press F5 to process your selections.

**F5**

**Note:** Depending on your planning choices, you might see different output.

```
IUGIPX8475I Final selections display
The products you selected to load to minidisk are:
NONE

The products you selected to load to SFS are:
VM DIRM ICKDSF PERFTK RACF RSCS TCPIP VMHCD

The system default language selected:
AMENG

The common service filepool name is:
poolname

The install type you selected is:
Non-SSI

The system name is:
sysname

The DASD type you selected to load on is:
type size

The volumes needed to load z/VM are:
COMMON: VMCOM1
RELEASE: 730RL1 730RL2
SYSTEM: M01RES M01S01 M01P01

The default password you selected is:
WD5JU8QP

Do you want to continue ? (Y/N)
```

Compare the information listed in message 8475 on your console from the INSTPLAN command to the information listed in your traditional installation worksheets. Make sure the information filled in on the worksheets matches the information the message displayed on your console. The volume labels listed are the default labels. You will input any new labels on the next panel.

**y**

4. Continue with the following steps to fill in the Installation Volume Definition panel.

## Step 1. Run INSTPLAN for non-SSI

```
*** z/VM INSTALLATION VOLUME DEFINITION ***
TYPE LABEL ADDRESS FORMAT (Y/N)
COMMON VMCOM1 -----
RELVOL 730RL1 -----
RELVOL2 730RL2 -----
TYPE LABEL ADDRESS
sysname
RES M01RES -----
SPOOL M01S01 -----
PAGE M01P01 -----

F1 = HELP F3/F12 = QUIT F5 = Process ENTER = Refresh
```

Figure 4. z/VM Traditional Installation Volume Definition (Non-SSI Only)

- If you do not want to use a default volume label, enter a new label in the **LABEL** field (recorded on traditional installation worksheet 2, Table 2 on page 18 for 3390, or on traditional installation worksheet 3, Table 3 on page 18 for FBA).
- Fill in the volume addresses using the information from traditional installation worksheet 2 (Table 2 on page 18) for 3390, or traditional installation worksheet 3 (Table 3 on page 18) for FBA. For more information and help, press F1.
- Fill in the **FORMAT (Y/N)** column with **Y** to CP format your installation volumes or **N** to not format your installation volumes. Specify **N** only if you have already CP formatted your volumes for this installation using ICKDSF or CPFMTXA. If you specify **N**, the volumes will be labeled, but not formatted.
- Press F5 to process.

**Note:** Depending on your planning choices, you might see different output.

```
F5
IUGIIX8377I You have selected to format the
following volumes:
IUGIIX8377I You have selected not to format the
following volumes:
This assumes they have already been formatted.
lblcom dasdaddr
lblrl1 dasdaddr
lblrl2 dasdaddr
lblres dasdaddr
lblspl dasdaddr
lblpag dasdaddr
IUGINP8392I INSTPLAN EXEC ended successfully
Ready; T=n.nn/n.nn hh:mm:ss
```

Depending on whether you chose to format your DASD, you will receive one of these versions of message IUGIIX8377I.

- Compare the information listed in the response from the INSTPLAN command to the information on your traditional installation worksheets. Make sure the information filled in on the worksheets matches what is listed in this response.

## Step 2. Verify that the volumes needed for installation are available

---

1. If you are installing to 3390, skip to substep “8” on page 52.
2. If the SCSI volumes you are installing to are defined as minidisks on your installation user ID, skip to substep “7” on page 52.
3. If the SCSI volumes you are installing to have already been defined, either in the SYSTEM CONFIG or by using the SET EDEVICE command, skip to substep “6” on page 52. If not yet defined, continue with the next substep.
4. To define the SCSI volumes, you need to know which FCP addresses are valid for your SCSI volumes.

If you know the FCP address or the range of addresses associated with your SCSI volume addresses, skip this substep.

If only the channel path ID is known, issue the QUERY CHPID command to display all FCP addresses associated with the path. For example, if the channel path is X'66', issue:

```
query chpid 66
Path 66 online to devices 517C 5319 550D 8100 8101 8102 8103 8104
Path 66 online to devices 8105 8106 8107 8108 8109 810A 810B 810C
Path 66 online to devices 810D 810E 810F 8110 8111 8112 8113 8114
Path 66 online to devices 8115 8116 8117 8118 8119 811A 811B 811C
Path 66 online to devices 811D 811E 811F
```

5. To define the SCSI volumes, use the information recorded in traditional installation worksheet 3 (Table 3 on page 18).

See *z/VM: CP Planning and Administration* for information about defining SCSI disks. The following information will provide each SCSI volume with a basic definition.

For each SCSI volume:

- a. Select and record a free FCP address for each *edev*. You should use one FCP device for the 730RES volume and a different (or multiple different) FCPs for the other volumes.

```
query fcp free
```

Choose a device from the output. Record an FCP address for each *edev* in the **FCP Address** column on traditional installation worksheet 6 (Table 6 on page 19).

- b. Define the device address.

```
set edevice dasdaddr type fba attr attr_type fcp_dev fcpn wwpn www lun 111
```

## Step 2. Verify that the volumes needed for installation are available

### ***dasdaddr***

The edevice address from traditional installation worksheet 6 ([Table 6 on page 19](#)).

### ***attr\_type***

The name of an attribute set to be associated with the real device. See the SET EDEVICE command in [z/VM: CP Commands and Utilities Reference](#).

### ***fcpn***

The Fibre Channel Protocol (FCP) address. You should use one FCP device for the 730RES volume and one or more different FCPs for the other volumes.

### ***www***

The worldwide port number.

### ***lun***

The logical unit number (LUN) address.

6. Vary on any SCSI volumes not already online. Repeat this substep for each volume.

```
vary on dasdaddr
```

7. The following changes might be needed in the SYSTEM CONFIG file for future IPLs.

- When performing a second-level installation to SCSI volumes, the EDEV statements are added to the SYSTEM CONFIG as comments. If you want to IPL the system first-level, remove the `'/*...*/'` pairs from the EDEV statements in the SYSTEM CONFIG file.
- If the SCSI volumes you are installing to are defined as minidisks on your installation user ID, they cannot be IPLed first-level; therefore the SYSTEM CONFIG file is not updated to include any EDEV statements.
- If you are installing on a second-level (or higher) system, the edevice details of the SCSI volumes to which you are installing cannot be determined; therefore, the SYSTEM CONFIG file is not updated to include any EDEV statements.

For information about updating the SYSTEM CONFIG file, see [z/VM: CP Planning and Administration](#).

8. Attach each DASD volume listed on traditional installation worksheet 2 ([Table 2 on page 18](#)) or 3 ([Table 3 on page 18](#)) that is not already attached. Enter the following ATTACH command for each volume:

```
attach dasdaddr *  
DASD dasdaddr ATTACHED TO userid dasdaddr  
:  
Ready; T=n.nn/n.nn hh:mm:ss
```

### ***dasdaddr***

Address of the DASD volume.

### ***userid***

First-level user ID logged on to previously.

**Attention:** Issue the QUERY DASD ATTACH \* command to verify there are no volumes attached to your user ID with the same label as those being used for installation. You must detach any duplicate-labeled volumes from your user ID to prevent bringing them online.



## Step 3. Run INSTALL to install your new system

---

1. Run INSTALL to install your new system.

**Note:** You must *not* disconnect your installation user ID. The installation procedure will IPL the z/VM system a number of times and these will fail if the user ID is running disconnected.

```

install
IUGIIS8490I Now formatting|labeling volume: dasdaddr (1 of n)
:
IUGIIS8490I Now formatting|labeling volume: dasdaddr (n of n)
:
IUGIIS8380I Restoring IIS to lblcom, lblrll, lblres, and lblspl
IUGIIS8341I Load of the system IIS to COMMON volume has completed successfully
:
IUGIIS8490I Now allocating volume: dasdaddr (COMMON VOLUME)
:
IUGIDV8341I Creation of the USER DIRECT has completed successfully
IUGILB8440I Now loading userid cuu (alias) disk 1 of nnn
IUGILB8440I Now loading userid cuu (alias) disk 2 of nnn
IUGILB8440I Now loading userid cuu (alias) disk 3 of nnn
:
IUGILB8440I Now loading userid cuu (alias) disk nnn of nnn

```

**Note:** If you receive one of the following messages:

```

IUGILB8300E File ddd50000 IMAGE W not found
IUGILB8342E The command 'PIPE DVDDECOD ddd500 failed with RC=rc'

```

make sure you load DISC 2 of the z/VM Product Package installation media to your installation minidisk, USB flash drive, or FTP server before restarting.

### Step 3. Run INSTALL to install your new system

#### Messages received if installing from a physical DVD or USB flash drive:

```
IUGIRU8484R Please place the "z/VM Product Package
for installation on type - DISC 2" DVD
in the DVD drive, then type GO to continue or type
EXIT to quit.
```

where: *type* is 3390 or SCSI

Place DISC 2 in the DVD drive and wait until the light on the DVD drive goes out or stops blinking, then enter go.

If using a USB flash drive, enter go.

Do not attempt to skip installing DISC 2.

If you enter `exit`, your installation will not be complete. You must rerun the `INSTALL` command and enter `go` to load the files from DISC 2 before you can continue to the next step.

If the installation fails while loading DISC 2, make sure the DVD in the drive is the z/VM Product Package for installation on *type* - DISC 2 and enter `INSTALL` to try again.

```
IUGIRU8440I Now loading MAINTurm 500 disk
:
IUGIRU8341I Load of DISC 2 has completed
successfully
```

#### Messages received if installing first-level:

```
IUGIDV8341I DIRECTXA USER DIRECT has completed
successfully
IUGIDV8341I SALIPL command has completed
successfully
:
:
IUGIWF8338I Now executing copy of CF0 and 4CC step
:
IUGIDV8392I INSTDVD EXEC ended successfully
```

#### Messages received if installing second-level:

```
IUGIDV8341I DIRECTXA USER DIRECT has completed
successfully
IUGIDV8341I SALIPL command has completed
successfully
IUGIWF8341I {MDDUMP|ECKDDUMP} of 2CF0 has completed
successfully
IUGIWF8338I Now executing copy of 24CC to 4CC step
IUGIWF8341I {MDDUMP|ECKDDUMP} of 24CC has completed
successfully
IUGIDV8392I INSTDVD EXEC ended successfully
```

```

*****
*       Now IPLing volume dasdaddr       *
*       with command:                     *
*       CP SYSTEM CLEAR                   *
*       TERMINAL CONMODE 3270             *
*       SET MACHINE ESA                   *
*       IPL dasdaddr CLEAR                *
*****

hh:mm:ss z/VM V7 R3.0 SERVICE LEVEL 0000 (64-BIT)

hh:mm:ss SYSTEM NUCLEUS CREATED ON yyyy-mm-dd AT hh:mm:ss, LOADED FROM lblres
hh:mm:ss
hh:mm:ss *****
hh:mm:ss * LICENSED MATERIALS - PROPERTY OF IBM*
hh:mm:ss * 5741-A09 (C) COPYRIGHT IBM CORP. 1983, 2022. ALL RIGHTS
hh:mm:ss * RESERVED. US GOVERNMENT USERS RESTRICTED RIGHTS - USE
hh:mm:ss * DUPLICATION OR DISCLOSURE RESTRICTED BY GSA ADP SCHEDULE
hh:mm:ss * CONTRACT WITH IBM CORP.
hh:mm:ss *
hh:mm:ss * * TRADEMARK OF INTERNATIONAL BUSINESS MACHINES
hh:mm:ss *****
hh:mm:ss HCPZC06718I Using parm disk 1 on volume lblcom (device nnnn).
hh:mm:ss HCPZC06718I Parm disk resides on cylinders nnn through nnn.
:
hh:mm:ss HCPCRC8082I Accounting records are accumulating for userid DISKACNT

z/VM V7.3.0 yyyy-mm-dd

hh:mm:ss AUTO LOGON *** OP1 USERS = 2 BY MAINT730
hh:mm:ss HCPCLS6056I XAUTOLOG information for OP1: The IPL command is verified by
the
IPL command processor.

IUGPLD8341I Now executing: POSTLOAD processing

DMSACC724I 4CC replaces C (4CC)

IUGIFP8493I Issuing XAUTOLOG for VMSERVU
AUTO LOGON *** VMSERVU USERS = n
HCPCLS6056I XAUTOLOG information for VMSERVU: The IPL command is verified by the IPL
command processor.

IUGIFP8493I Issuing XAUTOLOG for VMSERVR
AUTO LOGON *** VMSERVR USERS = n
HCPCLS6056I XAUTOLOG information for VMSERVR: The IPL command is verified by the IPL
command processor.

IUGIFP8493I Issuing XAUTOLOG for VMSERVS
AUTO LOGON *** VMSERVS USERS = n
HCPCLS6056I XAUTOLOG information for VMSERVS: The IPL command is verified by the IPL
command processor.

USER DSC LOGOFF AS VMSERVR USERS = n FORCED BY MAINT730

IUGIFP8493I Issuing XAUTOLOG for VMSERVR
AUTO LOGON *** VMSERVR USERS = n
HCPCLS6056I XAUTOLOG information for VMSERVR: The IPL command is verified by the IPL
command processor.

IUGIFP8493I Issuing XAUTOLOG for VMSERVP
AUTO LOGON *** VMSERVP USERS = n
HCPCLS6056I XAUTOLOG information for VMSERVP: The IPL command is verified by the IPL
command processor.

IUGIFP8338I Now executing: Update system tables and clean up filepool directories

```

### Step 3. Run INSTALL to install your new system

```
USER DSC LOGOFF AS VMSERVP USERS = n FORCED BY
MAINT730
DASD 917 DETACHED
IUGIFP8493I Issuing XAUTOLOG for VMSERVP
AUTO LOGON *** VMSERVP USERS = n
HCPCLS6056I XAUTOLOG information for VMSERVP: The
IPL command is verified by the
IPL command processor.
```

You will receive these messages if you did *not* select VMPSFS as the common service file pool name.

```
IUGIU8341I Update of SYSTEM CONFIG completed successfully
DASD 0CF0 DETACHED
DASD 0193 DETACHED
z/VM V7.3.0      yyyy-mm-dd hh:mm
DMSWSP100W Shared S-STAT not available

AUTO LOGON *** BLDCMS USERS = n
HCPCFX6768I SECUSER of BLDCMS initiated for you by BLDCMS.
HCPNSD440I The Named Saved System (NSS) CMS was successfully defined in fileid nnnn
BLDCMS : CONNECT= nn:nn:nn VIRTCPU= nnn:nn:nn TOTCPU= nnn:nn:nn
BLDCMS : LOGOFF AT hh:mm:ss EST MONDAY mm/dd/yy BY MAINT730
USER DSC LOGOFF AS BLDCMS USERS = n FORCED BY MAINT730

AUTO LOGON *** BLDCMS USERS = n
HCPCFX6768I SECUSER of BLDCMS initiated for you by BLDCMS.
DMSACC724I 493 replaces Z (493)
HCPNSD440I The Named Saved System (NSS) ZCMS was successfully defined in fileid nnnn
BLDCMS : CONNECT= nn:nn:nn VIRTCPU= nnn:nn:nn TOTCPU= nnn:nn:nn
BLDCMS : LOGOFF AT hh:mm:ss EST MONDAY mm/dd/yy BY MAINT730
USER DSC LOGOFF AS BLDCMS USERS = n FORCED BY MAINT730

*****
* Now executing SERVICE ALL rsuname
*****

***** SERVICE messages *****

*****
* Now executing PUT2PROD
*****

***** PUT2PROD messages *****

*****

* INSTCOMP NOW ISSUING SHUTDOWN REIPL
*
*****
```

### Step 3. Run INSTALL to install your new system

```
SYSTEM SHUTDOWN STARTED
Ready; T= n.nn/n.nn hh:mm:ss

hh:mm:ss HCPWRP963I SHUTDOWN STEP USOAC - JOURNAL USER TERMINATION
:
hh:mm:ss z/VM SYSTEM RESTART FROM SHUTDOWN REIPL
hh:mm:ss z/VM V7 R3.0 SERVICE LEVEL nnnn (64-BIT)

hh:mm:ss SYSTEM NUCLEUS CREATED ON yyyy-mm-dd AT hh:mm:ss, LOADED FROM lblres
hh:mm:ss
hh:mm:ss *****
hh:mm:ss * LICENSED MATERIALS - PROPERTY OF IBM* *
hh:mm:ss * 5741-A09 (C) COPYRIGHT IBM CORP. 1983, 2022. ALL RIGHTS *
hh:mm:ss * RESERVED. US GOVERNMENT USERS RESTRICTED RIGHTS - USE *
hh:mm:ss * DUPLICATION OR DISCLOSURE RESTRICTED BY GSA ADP SCHEDULE *
hh:mm:ss * CONTRACT WITH IBM CORP. *
hh:mm:ss * *
hh:mm:ss * * TRADEMARK OF INTERNATIONAL BUSINESS MACHINES *
hh:mm:ss *****
hh:mm:ss
hh:mm:ss HCPZC06718I Using parm disk 1 on volume volid (device nnnn).
hh:mm:ss HCPZC06718I Parm disk resides on cylinders nn through nn.
:
hh:mm:ss HCPCRC8082I Accounting records are accumulating for userid DISKACNT
hh:mm:ss DISCONNECT AT hh:mm:ss timezone weekday mm/dd/yy
hh:mm:ss Press enter or clear key to continue
```

**ENTER**

Press Enter or the Clear key to continue.

## Step 4. Log on to the new system

---

1. Log on as MAINT730.

```
logon maint730  
:  
Ready; T=n.nn/n.nn hh:mm:ss
```

The default password for MAINT730 is WD5JU8QP or the password you selected when you installed your system.

## Step 5. IPL the new system

---

1. If this is a first-level installation, you are done with the RAMDISK.

a. Shut down the new system.

```
shutdown
```

b. If you recorded a value for **First-level real storage** (*storagevalue*) on traditional installation worksheet 1 ([Table 1 on page 17](#)), use that value to reset real storage for your LPAR:

```
cp set storage perm storagevalue
```

c. Shut down the RAMDISK system.

```
shutdown system ibmvmzram
```

d. IPL the new system from the HMC.

2. If this is a second-level installation, and this is *not* where you plan to run your new system, shut down the system and then IPL where you wish the new system to run.

**Note:** The default SYSTEM CONFIG file allows the following console addresses: 20, 21, 22, 23, F20, F21, 1020. If your console is *not* one of these addresses, either redefine your console or IPL with the **LOADPARM** *consaddr* option. If you use the **LOADPARM** option, include **cons=consaddr** as an IPL parameter on the z/VM Stand Alone Program Loader (SAPL) panel.

### What to do next

Go to [Part 3, “After traditional installation,” on page 79](#).

## Step 5. IPL the new system



---

## Chapter 6. SSI traditional installation method

### **In this chapter, you will:**

- Install a z/VM SSI cluster.

## Step 1. Run INSTPLAN for SSI

**Before you begin:** You need to complete worksheets 1 through 7 in “Traditional installation worksheets” on page 17. If you have not done so, return to Chapter 2, “Plan your traditional installation,” on page 7.

1. Verify that the correct minidisk (VDEV) is accessed as file mode C. If second-level, the disk address is 24CC. If first-level, the disk address is 4CC.

```
query disk c
LABEL VDEV M ...
MNTxxx addr C ...
Ready; T=n.nn/n.nn hh:mm:ss
```

2. Run INSTPLAN with the TRADITIONAL operand.

```
instplan traditional
```

The installation planning panels are displayed.

```

*** z/VM INSTALLATION PLANNING ***

Mark the product(s) selected to be installed into the filepool with an "F"
and those selected to be installed to minidisks with an "M"
  F      VM      F      DIRM      F      ICKDSF
  F      PERFTK  F      RACF      F      RSCS
  F      TCPIP   F      VMHCD

Select a System Default Language.
  _ AMENG      _ UCENG

Select a System DASD type. DASD size can be changed.
  _ 3390 10016  _ FBA DASD 6.0

Enter the name of common service filepool.
Filepool Name:  _____

Select a System Type: Non-SSI or SSI
  _ Non-SSI Install: System Name _____
  _ SSI Install:    Number of Members _ SSI Cluster Name _____

Enter a default password for your system that adheres to restrictions
set by your security manager
Default Password:  WD5JU8QP

F1 = HELP      F3/F12 = QUIT      F5 = Process      ENTER = Refresh

```

Figure 5. z/VM Traditional Installation Planning Panel 1

- a. See traditional installation worksheet 1 (Table 1 on page 17) and enter:
  - An **M** in the **Install to:** column for each product you selected to be installed onto minidisks.
  - An **F** in the **Install to:** column for each product you selected to be installed into the file pool.
- b. Place a nonblank character next to the System Default Language you selected for your system on traditional installation worksheet 1 (Table 1 on page 17).
- c. Place a nonblank character in front of the DASD type that matches the System DASD type you will use, recorded on traditional installation worksheet 1 (Table 1 on page 17). Update the size to the volume size you will use, recorded on traditional installation worksheet 1 (Table 1 on page 17).
- d. Fill in the Filepool Name for the common service file pool.
- e. Place a nonblank character in front of the type of install you selected for your system on traditional installation worksheet 1 (Table 1 on page 17) – in this case: SSI Install.

- f. Fill in the Number of Members and the SSI Cluster Name.
- g. If you selected a different default password, replace WD5JU8QP with the default password that you recorded on traditional installation worksheet 1 ([Table 1 on page 17](#)).
- h. Press F5 to process your selections.

F5

3. Continue with the following steps to fill in the SSI Definition panel.

```

*** z/VM INSTALLATION SSI DEFINITION ***

SSI Cluster Name:  ssiclustername

After installation is complete, the SSI cluster will be IPLed:
_   First-Level
_   Second-Level

SSI Member Name(s):

SLOT #      MEMBER NAME      IPL LPAR/USERID
=====
  1         -----
  2         -----
  3         -----
  4         -----

F1 = HELP   F3/F12 = QUIT   F5 = Process   ENTER = Refresh

```

Figure 6. z/VM Traditional Installation SSI Definition Panel

- a. See traditional installation worksheet 5 ([Table 5 on page 19](#)) and enter a nonblank character next to:
  - *First-Level* if the SSI will be IPLed first-level after installation is complete.
  - *Second-Level* if the SSI will continue to be IPLed second-level after installation is complete.
- b. Fill in the member name for each member.
- c. If, after installation is complete, the SSI will be IPLed:
  - First-level, fill in the LPAR name for each member.
  - Second-level, fill in the user ID that will be used to IPL each member.
- d. Press F5 to process your selections.

F5

**Note:** Depending on your planning choices, you might see different output.

## Step 1. Run INSTPLAN for SSI

```
IUGIPX8475I Final selections display
The products you selected to load to minidisk are:
NONE

The products you selected to load to SFS are:
VM DIRM ICKDSF PERFTK RACF RSCS TCPIP VMHCD

The system default language selected:
AMENG

The common service filepool name is:
poolname

The install type you selected is:
SSI

The SSI cluster name is:
ssiname

The number of members is:
n
MEMBER NAME 1: memname IPL LPAR/USERID 1: lparname
MEMBER NAME 2: memname IPL LPAR/USERID 2: lparname
MEMBER NAME 3: memname IPL LPAR/USERID 3: lparname
MEMBER NAME 4: memname IPL LPAR/USERID 4: lparname

After installation is complete, members will be IPLed from:
level

The DASD type you selected to load on is:
type size

The volumes needed to load z/VM are:
COMMON: VMCOM1
RELEASE: 730RL1 730RL2
MEMBER1: M01RES M01S01 M01P01
MEMBER2: M01RES M01S01 M01P01
MEMBER3: M01RES M01S01 M01P01
MEMBER4: M01RES M01S01 M01P01

The default password you selected is:
WD5JU8QP

Do you want to continue ? (Y/N)
```

Compare the information listed in message IUG8475I on your console (response from the INSTPLAN command) to the information listed on your traditional installation worksheets. Make sure the information that is filled in on the worksheets matches what is listed in this response. The volume labels listed are the default labels. You will input any new labels on the next panel.

y

4. Continue with the following steps to fill in the Installation Volume Definition panel.

```

*** z/VM INSTALLATION VOLUME DEFINITION ***
TYPE          LABEL          ADDRESS          FORMAT (Y/N)
COMMON        VMCOM1         -----         -

RELVOL        730RL1         -----
RELVOL2       730RL2         -----

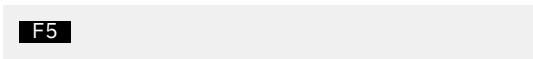
TYPE          LABEL          ADDRESS          TYPE          LABEL          ADDRESS
mem1nam
RES           M01RES         -----         RES           M01RES         -----
SPOOL        M01S01         -----         SPOOL        M01S01         -----
PAGE         M01P01         -----         PAGE         M01P01         -----
mem3nam
RES           M01RES         -----         RES           M01RES         -----
SPOOL        M01S01         -----         SPOOL        M01S01         -----
PAGE         M01P01         -----         PAGE         M01P01         -----

F1 = HELP      F3/12 = QUIT    F5 = Process    ENTER = Refresh

```

Figure 7. z/VM Traditional Installation Volume Definition (SSI Only)

- If you do not want to use a default volume label, enter a new label (recorded on traditional installation worksheet 6, [Table 6 on page 19](#)) in the **LABEL** field.
- Fill in the volume addresses using the information from traditional installation worksheet 6 ([Table 6 on page 19](#)). For more information and help, press F1.
- Fill in the **FORMAT (Y/N)** column with **Y** to CP format your installation volumes or **N** to not format your installation volumes. Specify **N** only if you have already CP formatted your volumes for this installation using ICKDSF or CPFMTXA. If you specify **N**, the volumes will be labeled, but not formatted.
- Press F5 to process your selections.



- If you selected "Second\_Level" in answer to the question "After installation is complete, the SSI cluster will be IPLed:" on the z/VM Installation Planning panel 3 (in substep "3" on page 63), proceed to substep "6" on page 66.

If you selected "First\_Level" in answer to the question "After installation is complete, the SSI cluster will be IPLed:" on the z/VM Installation Planning panel 3 (in substep "3" on page 63), continue with this step to fill in the First-Level Configuration panel.

```

*** z/VM INSTALLATION FIRST-LEVEL CONFIGURATION ***

Real addresses for the common volume on each member LPAR:

VOLUME      DASD      mem1name      mem2name      mem3name      mem4name
TYPE        LABEL      ADDRESS      ADDRESS      ADDRESS      ADDRESS
=====    =====    =====    =====    =====    =====
COMMON      lblcom     -----      -----      -----      -----

CTC device addresses:

From: mem1nam
To: mem1name      N/A
To: mem2name     -----
To: mem3name     -----
To: mem4name     -----

From: mem2nam
To: mem1name     -----
To: mem2name     N/A
To: mem3name     -----
To: mem4name     -----

From: mem3nam
To: mem1name     -----
To: mem2name     -----
To: mem3name     N/A
To: mem4name     -----

From: mem4nam
To: mem1name     -----
To: mem2name     -----
To: mem3name     -----
To: mem4name     N/A

F1 = HELP      F3/F12 = QUIT    F5 = Process    ENTER = Refresh

```

Figure 8. z/VM Traditional Installation DASD Definitions 2 (SSI Only)

## Step 1. Run INSTPLAN for SSI

- a. Fill in the real address of the VMCOM1 volume as it is defined on each LPAR. Use the information from traditional installation worksheet 7 (Table 7 on page 20).
- b. Fill in the CTC device addresses for each member using the information from traditional installation worksheet 7 (Table 7 on page 20).
- c. Press F5 to process your selections.

F5

6. **Note:** Depending on your planning choices, the output you see might be different.

```
IUGIIX8377I You have selected to format the
following volumes:

IUGIIX8377I You have selected not to format the
following volumes:
This assumes they have already been formatted.
```

Depending on whether you chose to format your DASD, you will receive one of these versions of message IUGIIX8377I.

```
lblcom dasdaddr
lblr11 dasdaddr
lblr12 dasdaddr
lblres dasdaddr
lblspl dasdaddr
lblpag dasdaddr
```

```
IUGIIX8377I You have selected the following CTC
addresses:
MEMBER membnam to MEMBER membnam ctcaddr ctcaddr
MEMBER membnam to MEMBER membnam ctcaddr ctcaddr
MEMBER membnam to MEMBER membnam ctcaddr ctcaddr
MEMBER membnam to MEMBER membnam ctcaddr ctcaddr

IUGINP8392I INSTPLAN EXEC ended successfully
Ready; T=n.nn/n.nn hh:mm:ss
```

You will receive the CTC address messages only if you selected "IPL from 1st level after installation is complete".

7. Compare the information listed in message IUG8377I on your console (response from the INSTPLAN command) to the information listed on your traditional installation worksheets. Make sure the information filled in on the worksheets matches the information that the message displayed on your console.

## Step 2. Run INSTALL to install your new system

1. Attach each volume listed on traditional installation worksheet 6 (Table 6 on page 19) that is not already attached. Enter the following ATTACH command for each volume:

```
attach dasdaddr *
DASD dasdaddr ATTACHED TO userid dasdaddr
:
:
Ready; T=n.nn/n.nn hh:mm:ss
```

### **dasdaddr**

Address of the DASD volume.

### **userid**

First-level user ID logged on to previously.

**Attention:** If there are any DASD volumes or minidisks attached to this user ID (other than the volumes being used for this installation) with the same labels that you are using for your installation volumes, they must be detached from this user ID to prevent bringing them online. Use the QUERY VIRTUAL DASD command to list the DASD volumes and minidisks attached to this user ID.

2. Run INSTALL to install your new system.

**Note:** You must *not* disconnect your installation user ID. The installation procedure will IPL the z/VM system a number of times and these will fail if the user ID is running disconnected.

### **install**

```
IUGIIS8490I Now formatting|labeling volume: dasdaddr (1 of n)
:
IUGIIS8490I Now formatting|labeling volume: dasdaddr (n of n)
:
IUGIIS8380I Restoring IIS to lblcom, lblrll, lblres, and lblspl
IUGIIS8341I Load of the system IIS to COMMON volume has completed successfully
:
IUGIIS8490I Now allocating volume: dasdaddr (COMMON VOLUME)
:
IUGIIS8341I Writing ownership ssiname NOSYS to comaddr lblcom has completed successfully
IUGIIS8341I Writing ownership ssiname mem1name to resaddr lblres has completed successfully
IUGIIS8341I Writing ownership ssiname mem1name to spladdr lblspl has completed successfully
IUGIIS8341I Writing ownership ssiname mem1name to pagaddr lblpag has completed successfully
IUGIIS8341I Creating PDR on comaddr has completed successfully
IUGIDV8341I Creation of the USER DIRECT has completed successfully
IUGILB8440I Now loading userid cuu (alias) disk 1 of nnn
IUGILB8440I Now loading userid cuu (alias) disk 2 of nnn
IUGILB8440I Now loading userid cuu (alias) disk 3 of nnn
:
IUGILB8440I Now loading userid cuu (alias) disk nnn of nnn
```

**Note:** If you receive one of the following messages:

```
IUGILB8300E File ddd50000 IMAGE W not found
IUGILB8342E The command 'PIPE DVDDECOD ddd500 failed with RC=rc'
```

make sure you load DISC 2 of the z/VM Product Package installation media to your installation minidisk, USB flash drive, or FTP server before restarting.

## Step 2. Run INSTALL to install your new system

### Messages received if installing from a physical DVD or USB flash drive:

```
IUGIRU8484R "z/VM Product Package
for installation on type - DISC 2" DVD
in the DVD drive, then type GO to continue or type
EXIT to quit.
```

where: *type* is 3390 or SCSI

Place DISC 2 in the DVD drive and wait until the light on the DVD drive goes out or stops blinking, then enter go.

If using a USB flash drive, enter go.

Do not attempt to skip installing DISC 2.

If you enter `exit`, your installation will not be complete. You must rerun the `INSTALL` command and enter `go` to load the files from DISC 2 before you can continue to the next step.

If the installation fails while loading DISC 2, make sure the DVD in the drive is the z/VM Product Package for installation on *type* - DISC 2 and enter `INSTALL` to try again.

```
IUGIRU8440I Now loading MAINTurm 500 disk
:
IUGIRU8341I Load of DISC 2 has completed
successfully
```

### Messages received if installing first-level:

```
IUGIDV8341I DIRECTXA USER DIRECT has completed
successfully
IUGIDV8341I SALIPL command has completed
successfully
:
:
IUGIWF8338I Now executing copy of CF0 and 4CC step
:
IUGIDV8392I INSTDVD EXEC ended successfully
```

### Messages received if installing second-level:

```
IUGIDV8341I DIRECTXA USER DIRECT has completed
successfully
IUGIDV8341I SALIPL command has completed
successfully
IUGIWF8341I {MDDUMP|ECKDDUMP} of 2CF0 has completed
successfully
IUGIWF8338I Now executing copy of 24CC to 4CC step
IUGIWF8341I {MDDUMP|ECKDDUMP} of 24CC has completed
successfully
IUGIDV8392I INSTDVD EXEC ended successfully
```



## Step 2. Run INSTALL to install your new system

```
*****
*      Now IPLing volume dasdaddr      *
*      with command:                    *
*      CP SYSTEM CLEAR                  *
*      TERMINAL CONMODE 3270           *
*      SET MACHINE ESA                  *
*      IPL dasdaddr CLEAR              *
*****

hh:mm:ss z/VM V7 R3.0 SERVICE LEVEL 0000 (64-BIT)

hh:mm:ss SYSTEM NUCLEUS CREATED ON yyyy-mm-dd AT hh:mm:ss, LOADED FROM lblres
hh:mm:ss
hh:mm:ss *****
hh:mm:ss * LICENSED MATERIALS - PROPERTY OF IBM *
hh:mm:ss * 5741-A09 (C) COPYRIGHT IBM CORP. 1983, 2022. ALL RIGHTS *
hh:mm:ss * RESERVED. US GOVERNMENT USERS RESTRICTED RIGHTS - USE *
hh:mm:ss * DUPLICATION OR DISCLOSURE RESTRICTED BY GSA ADP SCHEDULE *
hh:mm:ss * CONTRACT WITH IBM CORP. *
hh:mm:ss * *
hh:mm:ss * * TRADEMARK OF INTERNATIONAL BUSINESS MACHINES *
hh:mm:ss *****
hh:mm:ss *****
hh:mm:ss * IBM z/VM Single System Image Function is active. *
hh:mm:ss *****

hh:mm:ss HCPZC06718I Using parm disk 1 on volume lblcom (device nnnn).
hh:mm:ss HCPZC06718I Parm disk resides on cylinders nnn through nnn.
:
hh:mm:ss HCPCRC8082I Accounting records are accumulating for userid DISKACNT

z/VM V7.3.0 yyyy-mm-dd hh:mm

hh:mm:ss AUTO LOGON *** OP1 USERS = 2 BY MAINT730
hh:mm:ss HCPCLS6056I XAUTOLOG information for OP1: The IPL command is verified by
the
IPL command processor.

IUGPLD8341I Now executing: POSTLOAD processing

DMSACC724I 4CC replaces C (4CC)

IUGIFP8493I Issuing XAUTOLOG for VMSERVU
AUTO LOGON *** VMSERVU USERS = n
HCPCLS6056I XAUTOLOG information for VMSERVU: The IPL command is verified by the IPL
command processor.

IUGIFP8493I Issuing XAUTOLOG for VMSERVR
AUTO LOGON *** VMSERVR USERS = n
HCPCLS6056I XAUTOLOG information for VMSERVR: The IPL command is verified by the IPL
command processor.

IUGIFP8493I Issuing XAUTOLOG for VMSERVS
AUTO LOGON *** VMSERVS USERS = n
HCPCLS6056I XAUTOLOG information for VMSERVS: The IPL command is verified by the IPL
command processor.

USER DSC LOGOFF AS VMSERVR USERS = n FORCED BY MAINT730

IUGIFP8493I Issuing XAUTOLOG for VMSERVR
AUTO LOGON *** VMSERVR USERS = n
HCPCLS6056I XAUTOLOG information for VMSERVR: The IPL command is verified by the IPL
command processor.

IUGIFP8493I Issuing XAUTOLOG for VMSERVP
AUTO LOGON *** VMSERVP USERS = n
HCPCLS6056I XAUTOLOG information for VMSERVP: The IPL command is verified by the IPL
command processor.

IUGIFP8338I Now executing: Update system tables and clean up filepool directories
```

## Step 2. Run INSTALL to install your new system

```
USER DSC LOGOFF AS VMSERVP USERS = n FORCED BY
MAINT730
DASD 017 DETACHED
IUGIFP8493I Issuing XAUTOLOG for VMSERVP
AUTO LOGON *** VMSERVP USERS = n
```

You will receive these messages if you did *not* select VMPSFS as the common service file pool name.

```
HCPCLS6056I XAUTOLOG information for VMSERVP: The IPL command is verified by the
IPL command processor.
```

```
IUGIUF8341I Update of SYSTEM CONFIG completed successfully
DASD 0CF0 DETACHED
DASD 0193 DETACHED
z/VM V7.3.0      yyyy-mm-dd hh:mm
DMSWSP100W Shared S-STAT not available
```

```
AUTO LOGON *** BLDCMS USERS = n
HCPCFX6768I SECUSER of BLDCMS initiated for you by BLDCMS.
HCPNSD440I The Named Saved System (NSS) CMS was successfully defined in fileid nnnn
BLDCMS : CONNECT= nn:nn:nn VIRTCPU= nnn:nn:nn TOTCPU= nnn:nn:nn
BLDCMS : LOGOFF AT hh:mm:ss EST MONDAY mm/dd/yy BY MAINT730
USER DSC LOGOFF AS BLDCMS USERS = n FORCED BY MAINT730
```

```
AUTO LOGON *** BLDCMS USERS = n
HCPCFX6768I SECUSER of BLDCMS initiated for you by BLDCMS.
DMSACC724I 493 replaces Z (493)
HCPNSD440I The Named Saved System (NSS) ZCMS was successfully defined in fileid nnnn
BLDCMS : CONNECT= nn:nn:nn VIRTCPU= nnn:nn:nn TOTCPU= nnn:nn:nn
BLDCMS : LOGOFF AT hh:mm:ss EST MONDAY mm/dd/yy BY MAINT730
USER DSC LOGOFF AS BLDCMS USERS = n FORCED BY MAINT730
```

```
*****
* Now executing SERVICE ALL rsuname
*****
```

```
***** SERVICE messages *****
```

```
*****
* Now executing PUT2PROD *
*****
```

```
***** PUT2PROD messages *****
```

```
*****
```

```
* INSTCOMP NOW ISSUING SHUTDOWN REIPL
```

```
*
```

```
*****
```

## Step 2. Run INSTALL to install your new system

```
SYSTEM SHUTDOWN STARTED
Ready; T=n.nn/n.nn hh:mm:ss

hh:mm:ss HCPWRP963I SHUTDOWN STEP PLMLL - LEAVE THE SSI CLUSTER
:
hh:mm:ss z/VM SYSTEM RESTART FROM SHUTDOWN REIPL
hh:mm:ss z/VM V7 R3.0 SERVICE LEVEL nnnn (64-BIT)

hh:mm:ss SYSTEM NUCLEUS CREATED ON yyyy-mm-dd AT hh:mm:ss, LOADED FROM lblres
hh:mm:ss
hh:mm:ss *****
hh:mm:ss * LICENSED MATERIALS - PROPERTY OF IBM *
hh:mm:ss * 5741-A09 (C) COPYRIGHT IBM CORP. 1983, 2022. ALL RIGHTS *
hh:mm:ss * RESERVED. US GOVERNMENT USERS RESTRICTED RIGHTS - USE *
hh:mm:ss * DUPLICATION OR DISCLOSURE RESTRICTED BY GSA ADP SCHEDULE *
hh:mm:ss * CONTRACT WITH IBM CORP. *
hh:mm:ss * *
hh:mm:ss * * TRADEMARK OF INTERNATIONAL BUSINESS MACHINES *
hh:mm:ss *****
hh:mm:ss *****
hh:mm:ss * IBM z/VM Single System Image Function is active. *
hh:mm:ss *****
hh:mm:ss HCPZC06718I Using parm disk 1 on volume valid (device nnnn).
hh:mm:ss HCPZC06718I Parm disk resides on cylinders nn through nn.
:
hh:mm:ss HCPCRC8082I Accounting records are accumulating for userid DISKACNT
```

### What to do next

<b>If this is:</b>	<b>Go to:</b>
A one-member SSI installation...	<a href="#">“Step 3. One-member SSI” on page 72</a>
A multimember SSI installation...	<a href="#">“Step 4. Multimember SSI” on page 73</a>

## Step 3. One-member SSI

---

1. Processing continues.

```
hh:mm:ss DISCONNECT AT hh:mm:ss timezone weekday mm/dd/yy  
hh:mm:ss Press enter or clear key to continue
```

```
ENTER
```

Press Enter or the Clear key to continue.

2. Log on as MAINT730.

```
logon maint730  
:  
Ready; T=n.nn/n.nn hh:mm:ss
```

The default password for MAINT730 is WD5JU8QP or the password you selected when you installed your system.

3. If this is a first-level installation, you are done with the RAMDISK.
  - a. Shut down the new system.

```
shutdown
```

- b. Shut down the RAMDISK system.

```
shutdown system ibmvmzram
```

- c. IPL the new system from the HMC.
4. If this is a second-level installation, and this is *not* where you plan to run your new system, shut down the system and then IPL where you wish the new system to run.

**Note:** The default SYSTEM CONFIG file allows the following console addresses: 20, 21, 22, 23, F20, F21, 1020. If your console is *not* one of these addresses, either redefine your console or IPL with the **LOADPARM** *consaddr* option. If you use the **LOADPARM** option, include **cons=consaddr** as an IPL parameter on the z/VM Stand Alone Program Loader (SAPL) panel.

### What to do next

Go to [Part 3, “After traditional installation,” on page 79](#).

## Step 4. Multimember SSI

### 1. Processing continues.

```
z/VM V7.3.0      yyyy-mm-dd hh:mm
hh:mm:ss AUTO LOGON ***      OP1      USERS = 2      BY MAINT730

hh:mm:ss HCPCLS6056I XAUTOLOG information for OP1: The IPL command is verified by
the
IPL command processor.
```

```
IUGIMB8380I DDRing cylinders 0 - nnnn from lbl1res to
lbl2res
DDR of lbl1res to lbl2res successful

IUGIMB8380I DDRing cylinders 0 - nnnn from lbl1res to
lbl3res
DDR of lbl1res to lbl3res successful
:

IUGIMB8380I DDRing cylinders 0 - nnnn from lbl1res to
lbl4res
DDR of lbl1res to lbl4res successful
:
```

You will receive these messages for each member (except member 1) that you selected to install.

```
Labeling volume for lbl2res successful
Labeling volume for lbl3res successful
:

Labeling volume for lbl4res successful
:

DASD 0550 DETACHED

Writing ownership to lbl2res successful
Writing ownership to lbl2spl successful
Writing ownership to lbl2pag successful

Writing ownership to lbl3res successful
Writing ownership to lbl3spl successful
Writing ownership to lbl3pag successful

Writing ownership to lbl4res successful
Writing ownership to lbl4spl successful
Writing ownership to lbl4pag successful

DASD 0550 DETACHED

SALIPL for addr successful
SALIPL for addr successful
SALIPL for addr successful
```

## Step 5. Initialize members 2, 3, and 4

### 1. Processing continues.

```

*****
*      PROCESSING UPDATE FOR MEMBER nextmemb
*****
IUGISC8403I SYSTEM CONFIG has been updated to allow member nextmemb to be IPLed.

        member nextmemb will be IPLed by issuing the command:
        SHUTDOWN REIPL dasdaddr

EXECUTING SHUTDOWN REIPL dasdaddr

hh:mm:ss HCPWRP963I SHUTDOWN STEP PLMLV - LEAVE THE SSI CLUSTER
:
hh:mm:ss z/VM SYSTEM RESTART FROM SHUTDOWN REIPL

hh:mm:ss z/VM V7 R3.0 SERVICE LEVEL nnnn (64-BIT)

hh:mm:ss SYSTEM NUCLEUS CREATED ON yyyy-mm-dd AT hh:mm:ss, LOADED FROM lblres
hh:mm:ss
hh:mm:ss *****
hh:mm:ss * LICENSED MATERIALS - PROPERTY OF IBM *
hh:mm:ss * 5741-A09 (C) COPYRIGHT IBM CORP. 1983, 2022. ALL RIGHTS *
hh:mm:ss * RESERVED. US GOVERNMENT USERS RESTRICTED RIGHTS - USE *
hh:mm:ss * DUPLICATION OR DISCLOSURE RESTRICTED BY GSA ADP SCHEDULE *
hh:mm:ss * CONTRACT WITH IBM CORP. *
hh:mm:ss * *
hh:mm:ss * * TRADEMARK OF INTERNATIONAL BUSINESS MACHINES *
hh:mm:ss *****
hh:mm:ss *
hh:mm:ss *****
hh:mm:ss * IBM z/VM Single System Image Function is active. *
hh:mm:ss *****
hh:mm:ss
hh:mm:ss HCPZC06718I Using parm disk n on volume lblcom (device nnnn).
hh:mm:ss HCPZC06718I Parm disk resides on cylinders nnn through nnn.
:
hh:mm:ss HCPCRC8082I Accounting records are accumulating for userid DISKACNT

DMSWSP327I The installation saved segment could not be loaded
z/VM V7.3.0 yyyy-mm-dd hh:mm

DMSDCS1083E Saved segment CMSPIPES does not exist
DMSDCS1083E Saved segment CMSPIPES does not exist
DMSDCS1083E Saved segment CMSVMLIB does not exist

hh:mm:ss AUTO LOGON *** OP1 USERS = n BY MAINT730
hh:mm:ss HCPCLS6056I XAUTOLOG information for OP1: The IPL command is verified by
the
IPL command processor.

AUTO LOGON *** BLDCMS USERS = n
HCPCFX6768I SECUSER of BLDCMS initiated for you by BLDCMS.
HCPNSD440I The Named Saved System (NSS) CMS was successfully defined in fileid
nnnn.
BLDCMS : HCPNSS440I Named Saved System (NSS) CMS was successfully saved
BLDCMS : CONNECT= 00:00:nn VIRTCPU= 000:00:nn TOTCPU= 000:00:nn
BLDCMS : LOGOFF AT hh:mm:ss EST WEDNESDAY mm/dd/yy BY MAINT730
USER DSC LOGOFF AS BLDCMS USERS = n FORCED BY MAINT730

```

```

*****
* PROCESSING MEMBER membername *
*****

IUGINI8493I Issuing XAUTOLOG for VMSERVR
AUTO LOGON *** VMSERVR USERS = n
HCPCLS6056I XAUTOLOG information for VMSERVR: The IPL command is verified by the
IPL command processor.

USER DSC LOGOFF AS VMSERVR USERS = n FORCED BY MAINT730
IUGINI8493I Issuing XAUTOLOG for VMSERVR
AUTO LOGON *** VMSERVR USERS = n
HCPCLS6056I XAUTOLOG information for VMSERVR: The IPL command is verified by the
IPL command processor.

IUGINI8493I Issuing XAUTOLOG for VMSERVP
AUTO LOGON *** VMSERVP USERS = n
HCPCLS6056I XAUTOLOG information for VMSERVP: The IPL command is verified by the
IPL command processor.

IUGINI8493I Issuing XAUTOLOG for VMSERVS
AUTO LOGON *** VMSERVS USERS = n
HCPCLS6056I XAUTOLOG information for VMSERVS: The IPL command is verified by the
IPL command processor.

IUGINI8493I Issuing XAUTOLOG for VMSERVU
AUTO LOGON *** VMSERVU USERS = n
HCPCLS6056I XAUTOLOG information for VMSERVU: The IPL command is verified by the
IPL command processor.

*****
* Now executing PUT2PROD SEGMENTS ALL *
*****
:
:
***** PUT2PROD messages *****
:
:
***** Now executing SERVICE GCS BLDNUC *
*****
:
:
***** SERVICE messages *****
:
:
***** Now executing PUT2PROD *
*****
:
:
***** PUT2PROD messages *****
:
:

```

2. Substep “1” on page 74 will repeat for members 3 and 4, if applicable.
3. After all of the members have been initialized, processing will finish.

```

IUGMLP8392I Installation ended successfully
Ready; T=n.nn/n.nn hh:mm:ss

```

## Step 6. Update the system configuration file

When “Step 5. Initialize members 2, 3, and 4 ” on page 74 has completed for each installed member (2,3, and 4):

1. Run INSTSCID to update the system configuration with the final System\_Identifier information. At the completion of “Step 5. Initialize members 2, 3, and 4 ” on page 74, the SYSTEM CONFIG file is set up to IPL only the last member you installed. In order to successfully IPL all members of your SSI cluster, the SYSTEM CONFIG file must be updated to include the correct System\_Identifier statement for each member. After the SYSTEM CONFIG file is updated, you will only be able to IPL the members on their respective LPARs/user IDs.

```
instscid remove

*****
* Processing REMOVE for all members
*****
IUGISC8404I SYSTEM CONFIG has been updated to allow all members
to be iple ONLY from the LPAR/userid
defined for each member at install time.

IUGISC8392I INSTSCID EXEC ended successfully
Ready; T=n.nn/n.nn hh:mm:ss
```

**Note:** If you attempt to IPL any member except the last member installed before running INSTSCID, your system will not IPL with the correct member volumes and results will be unexpected.

2. Perform a system shutdown.

```
shutdown
SYSTEM SHUTDOWN STARTED
Ready; T=n.nn/n.nn hh:mm:ss

hh:mm:ss HCPWRP963I SHUTDOWN STEP PLMLV - LEAVE THE SSI CLUSTER
:
hh:mm:ss HCPWRP961W SYSTEM SHUTDOWN COMPLETE
HCPGIR450W CP entered; disabled wait PSW 00020000 00000000 00000000 00000961
```

3. IPL the CMS saved segment if it exists. Otherwise, IPL 190.

```
ipl cms
:
ENTER
Ready; T=n.nn/n.nn hh:mm:ss
```



## Step 7. IPL the new SSI cluster

---

1. If you indicated that the SSI cluster members would be IPLed second-level:

- a. Retrieve the SSI2ND DIR-PROF file from the 191 (A) disk of the user ID you used for installation. This file also exists on the new system's MAINT730 4CC disk. This file contains sample user directory information for the user IDs where you will IPL your SSI members.

**Attention:** Make sure to use the DEVNO statement as documented in this file to allow all members access to the other members' volumes.

- b. On the system where you plan to IPL your SSI members, add or update the user directory information for the user IDs according to the information defined in the SSI2ND DIR-PROF file.
- c. Detach all installation volumes from your installation user ID.
- d. Log on to each of the IPL user IDs as defined in SSI2ND DIR-PROF and create or update the PROFILE EXEC according to the information in the SSI2ND DIR-PROF file.

**Note:** If the CTCA addresses in the SSI2ND DIR-PROF file intersect with existing addresses on any of the IPL user IDs, change the existing device addresses that intersect or change the CTCA addresses in the SSI2ND DIR-PROF file before adding the information to the IPL user IDs' PROFILE EXECs.

- e. Run the PROFILE EXEC on each user ID.

2. If this is a first-level installation, you are done with the RAMDISK.

- a. If you recorded a value for **First-level real storage** (*storagevalue*) on traditional installation worksheet 1 (Table 1 on page 17), use that value to reset real storage for your LPAR:

```
cp set storage perm storagevalue
```

- b. Shut down the RAMDISK system.

```
shutdown system ibmvmram
```

3. IPL each member from its corresponding user ID or LPAR.

**Note:** The default SYSTEM CONFIG file allows the following console addresses: 20, 21, 22, 23, F20, F21, 1020. If your console is *not* one of these addresses, redefine your console or IPL with the **LOADPARM** *consaddr* option. If you use the **LOADPARM** option, include **cons=consaddr** as an IPL parameter on the z/VM Stand Alone Program Loader (SAPL) panel.

4. If you want to add additional members to your SSI cluster (up to a total of 8 members), see Chapter 34, "Adding a Member to a z/VM SSI Cluster by Cloning an Existing Member" and Chapter 35, "Adding Members to a 4-Member SSI Cluster", in [z/VM: CP Planning and Administration](#).

### What to do next

Go to [Part 3, "After traditional installation,"](#) on page 79.



---

## Part 3. After traditional installation

### **This part contains the following:**

- Default system information
- Procedures for creating IPLable utility tapes
- Procedures for configuring a basic TCP/IP network connection
- Procedures for backing up the z/VM system
- Procedures for migrating customized files and service for products that are preinstalled on the z/VM installation media
- Information about the licensed products and features that are preinstalled on the z/VM installation media.



## Chapter 7. Default system information

This section provides a summary of important information about your default system setup. Additional information can be found in [Appendix C, “Contents of the z/VM system,”](#) on page 259. Detailed information about configuring your system can be found in [z/VM: CP Planning and Administration](#).

### Logging on to your z/VM system

All of the user IDs that are shipped with your new z/VM system come with some sort of password and a default account statement of ACCOUNT IBM. For a list of IBM-supplied user IDs and their default passwords, see [Appendix N, “IBM-supplied user IDs,”](#) on page 297.

IBM recommends that distinct passwords be defined only for user IDs for which the intent of the ID is that system programmers, administrators, and operators will log on to those IDs (MAINT<sub>vr</sub>m and OPERATOR, for example). The passwords for these user IDs are defined during installation to be the default password you selected during installation planning: a password you entered or WD5JU8QP.

Some user IDs will most likely be shared by a number of administrators (MAINT and TCPMAINT, for example). These IDs are shipped with a default password of LBYONLY and a default LOGON BY user ID of IBMVM1. The IBMVM1 user ID, which has no resources assigned to it and is intended to get you started with the LBYONLY users, has the default password that you selected during installation planning: the password you entered or WD5JU8QP. It is expected that you will replace IBMVM1 on the LOGONBY directory statements with your own, real user IDs after they are defined.

Any user ID that functions as:

- A disconnected server is shipped with a password of AUTOONLY (DIRMAINT and RACFVM, for example).
- Only an owner of resources is shipped with a password of NOLOG (PMAINT, for example).

For security purposes, if you used WD5JU8QP as your default password, you should change it to a password that conforms to your organization's security policies.

### Default information for IPLing your system

The SYSTEM CONFIG file resides on the CF0 PARM disk, owned by PMAINT.

In an SSI cluster, the installation default is to have a single SYSTEM CONFIG file that is shared by all member systems.

The CLOAD MODULE resides on the CF1 PARM disk, owned by MAINT.

During installation, the system is set up to IPL the CLOAD MODULE from MAINT's CF1 PARM disk (extent 1 on the M0xRES volume) and to read the SYSTEM CONFIG file from PMAINT's CF0 PARM disk (for 3390, parm disk 1 on the VMCOM1 volume; for FBA, parm disk 4 on the M01RES volume).

The following SALIPL record was written to the IPL volume:

- **For 3390:**

```
SALIPL m0xresaddr (EXTENT 1 IPLPARMS fn=SYSTEM ft=CONFIG pdnum=1 pdvol=vmcom1addr
```

- **For FBA:**

```
SALIPL m0xresaddr (EXTENT 1 IPLPARMS fn=SYSTEM ft=CONFIG pdnum=4
```

**For 3390:** If you change the address of the VMCOM1 volume, you will need to run SALIPL to rewrite the IPL record for the system to point to the new VMCOM1 volume address:

```
SALIPL m0xresaddr (EXTENT 1 IPLPARMS fn=SYSTEM ft=CONFIG pdnum=1 pdvol=newvmcom1addr
```

## Default system information

**For FBA:** If you IPL first level, enter the edevice number of the RES volume (M01RES address) in the IPL PARAMETERS section with the PDVOL=*edevicenum* statement

## Where you can IPL your systems

When installation is complete the following System\_Identifier statements exist in the SYSTEM CONFIG file on the CF0 PARM disk:

- **Non-SSI:**

```
System_Identifier * * systemname
```

This statement allows the system to be IPLed from any LPAR or user ID.

- **One-member SSI:**

```
/* System_Identifier LPAR system1 member1name */  
/* System_Identifier LPAR @@LU-2 @@MEMSLOT2 */  
/* System_Identifier LPAR @@LU-3 @@MEMSLOT3 */  
/* System_Identifier LPAR @@LU-4 @@MEMSLOT4 */  
  
System_Identifier * * member1name
```

The SYSTEM CONFIG file contains a System\_Identifier statement that allows the member to be IPLed from any LPAR or user ID. To prevent the member from being IPLed from anywhere else except on the LPAR/user ID you designated during installation, remove the comments from the appropriate System\_Identifier statement and add comments around the System\_Identifier \* \* *member1name* statement.

- **Multimember SSI:**

```
System_Identifier LPAR lpar1 member1  
System_Identifier LPAR lpar2 member2  
System_Identifier LPAR lpar3 member3  
System_Identifier LPAR lpar4 member4  
  
/* System_Identifier * * member4 */
```

For a multimember SSI, the members can be IPLed only from the LPAR/user ID designated during installation.

For emergency purposes, the CF0 also contains the file INSTALL CONFIG, which will allow member one to be IPLed anywhere:

```
INSTALL CONFIG  
  
System_Identifier LPAR lpar1 member1  
System_Identifier LPAR lpar2 member2  
System_Identifier LPAR lpar3 member3  
System_Identifier LPAR lpar4 member4  
  
System_Identifier * * member1
```

## Default PARM disk information

The default PARM disks are owned and utilized as follows:

**CF1**

Owned by MAINT, allocated on M01RES, holds the default production CLOAD MODULE.

**CF3**

Owned by MAINT, allocated on M01RES, used as a backup of the CF1 PARM disk.

**CFD**

Owned by MAINT, allocated on M01RES, a dummy parm disk designed to maintain the EXTENT 1 and 3 values for CF1 and CF3.

**CF2**

Owned by MAINT730, allocated on 730RL1, used by SERVICE to hold the test CLOAD MODULE.

**CF0**

Owned by PMAINT, allocated on VMCOM1, holds the SYSTEM CONFIG file.

## Default spool and page

---

The system was installed with one SPOOL volume and one PAGE volume for each system or member. The amount of spool and page space that is required for installation is not necessarily the amount you should have assigned for running production workloads. For information about planning spool and page requirements, see the Storage Planning and Administration section of [z/VM: CP Planning and Administration](#).

## Volume ownership

---

z/VM allows DASD volumes to be owned by an SSI cluster or by a specific member of a SSI cluster or non-SSI system. Installation volumes contain the following ownership information:

- **Non-SSI:**

<b>VMCOM1</b>	No ownership
<b>730RL1</b>	No ownership
<b>730RL2</b>	No ownership
<b>M01RES</b>	No ownership
<b>M01S01</b>	No ownership
<b>M01P01</b>	No ownership

- **SSI:**

<b>VMCOM1</b>	VM SSI owner: <i>SSIname</i> System owner: none
<b>730RL1</b>	No ownership
<b>730RL2</b>	No ownership
<b>M0xRES</b>	VM SSI owner: <i>SSIname</i> System owner: <i>memberxname</i>
<b>M0xS01</b>	VM SSI owner: <i>SSIname</i> System owner: <i>memberxname</i>
<b>M0xP01</b>	VM SSI owner: <i>SSIname</i> System owner: <i>memberxname</i>

For more information on volume ownership, see [z/VM: CP Planning and Administration](#).

## Full-pack minidisk definitions

---

Each volume used for installation, except those used for paging space, has a full-pack minidisk defined in the default user directory. Full-pack minidisk definitions are required for DDR backups. The 123 minidisk is required to create the object user directory.

## Default system information

- **MAINT**

```
MDISK 122 3390 000 END M01S01 MR  
MDISK 123 3390 000 END M01RES MR
```

- **MAINT730**

```
MDISK 131 3390 000 END 730RL1 MR  
MDISK 132 3390 000 END 730RL2 MR  
LINK MAINT 122 122 MR  
LINK MAINT 123 123 MR  
LINK PMAINT 141 141 MR
```

- **PMAINT**

```
MDISK 141 3390 000 END VMCOM1 MR
```



---

## Chapter 8. Create IPLable utilities

### **In this chapter, you will:**

- Create IPLable utilities.

## **Step 1. Create a stand-alone dump device**

---

z/VM includes a stand-alone dump utility that you tailor according to your installation's configuration, using CMS. After you install z/VM, you should create the stand-alone dump utility and place it on DASD for emergency use. If, after a system failure, CP cannot create an abend dump, you can use the stand-alone dump on DASD to dump all of storage.

For instructions about how to create a stand-alone dump utility, see Chapter 12, "The Stand-Alone Dump Utility", in [\*z/VM: CP Planning and Administration\*](#).

**Note:** Do not use a stand-alone dump from a previous release of z/VM to attempt to dump your z/VM 7.3 system.

## Step 2. Create an IPLable DDR utility tape

You can optionally create an IPLable DDR utility tape. This tape can be used to IPL DDR standalone if you need to run DDR when CMS and the DDR MODULE are not available. If you choose to create the IPLable DDR utility tape, continue with this step. Otherwise, go to “[Step 3. Create an IPLable ICKDSF utility tape](#)” on page 88.

**Note:** IBM has included the DDR MODULE on the MAINT CF1 minidisk. This DDR MODULE can be selected and IPLed from the SALIPL screen. For more information, see [z/VM: System Operation](#).

1. Attach a tape drive (*tapeaddr*) to MAINT730 at virtual device address 181.

```
attach tapeaddr * 181
TAPE 0181 ATTACHED
Ready; T=n.nn/n.nn hh:mm:ss
```

2. Mount a tape, to be used for the IPLable DDR utility, on the tape drive attached at virtual device address 181.
3. Access the 193 minidisk in read/write mode as file mode Z.

```
access 193 z
Ready; T=n.nn/n.nn hh:mm:ss
```

4. Load the DDRXA utility to tape.

```
utility utiltape ddrxa
Rewind complete
IUGWUT8317I MOVING IPL DDRXA TO TAPE
IUGWUT8318I THE IPL DDRXA PROGRAM IS
                ON TAPE FILE NUMBER 1
Ready; T=n.nn/n.nn hh:mm:ss
```

5. Rewind the DDR utility tape attached at virtual device address 181.

```
rewind 181
Rewind complete
```

6. IPL the tape and answer the prompts from DDRXA to verify the tape contents. For information about DDRXA, see [z/VM: CP Commands and Utilities Reference](#) and [z/VM: System Operation](#).

```
ipl 181 clear
```

CLEAR is necessary. Do not omit it.

Wait a few moments for DDRXA to prompt you. If a prompt does not appear, press Enter.

```
z/VM DASD DUMP/RESTORE PROGRAM
ENTER CARD READER ADDRESS OR CONTROL
STATEMENTS
ENTER:
```

This message verifies that IPLable DDRXA has been written to the tape.

7. IPL CMS.

```
#cp ipl cms
z/VM V7.3.0   yyyy-mm-dd hh:mm
ENTER
Ready; T=n.nn/n.nn hh:mm:ss
```

8. Rewind the tape and store it for future use.

```
tape run
```

### Step 3. Create an IPLable ICKDSF utility tape

You can optionally create an IPLable ICKDSF utility tape. This tape can be used to IPL ICKDSF standalone if you need to run ICKDSF when the ICKDSF module is not available. If you choose to create the IPLable ICKDSF utility tape, continue with this step. Otherwise, go to [“Step 1. Create a stand-alone dump device”](#) on page 86.

**Note:** IBM has included the ICKDSF MODULE on the MAINT CF1 minidisk. This ICKDSF MODULE can be selected and IPLed from the SALIPL screen. For more information, see [z/VM: System Operation](#).

1. Attach a tape drive (*tapeaddr*) to MAINT730 at virtual device address 181.

```
attach tapeaddr * 181
TAPE      0181 ATTACHED
Ready; T=n.nn/n.nn hh:mm:ss
```

2. Mount a tape, to be used for the IPLable ICKDSF utility, on the tape drive attached at virtual device address 181.
3. Access the 193 minidisk in read/write mode as file mode Z.

```
access 193 z
Ready; T=n.nn/n.nn hh:mm:ss
```

4. Load the ICKDSF utility to tape.

```
utility utiltape dsf
Rewind complete
IUGWUT8317I MOVING ICKSADSF COREIMAG TO
TAPE
IUGWUT8318I THE ICKSADSF COREIMAG
PROGRAM IS
ON TAPE FILE NUMBER 1
Ready; T=n.nn/n.nn hh:mm:ss
```

5. Rewind the ICKDSF utility tape attached at virtual device address 181.

```
rewind 181
Rewind complete
```

6. IPL the tape and answer the prompts from ICKDSF to verify the tape contents. For information about ICKDSF, see [Device Support Facilities \(ICKDSF\): User's Guide and Reference \(https://www.ibm.com/docs/en/SSLTBW\\_2.5.0/pdf/ickug00\\_v2r5.pdf\)](https://www.ibm.com/docs/en/SSLTBW_2.5.0/pdf/ickug00_v2r5.pdf).

```
ipl 181 clear
```

CLEAR is necessary. Do not omit it.

Wait a few moments for ICKDSF to prompt you. If a prompt does not appear, press Enter.

```
ICK005E DEFINE INPUT DEVICE, REPLY
      'DDDD, CUU' OR 'CONSOLE'
ENTER INPUT/COMMAND:

console
CONSOLE
ICK006E DEFINE OUTPUT DEVICE, REPLY
      'DDDD, CUU' OR 'CONSOLE'
ENTER INPUT/COMMAND:

console
CONSOLE
ICK006E DEFINE OUTPUT DEVICE, REPLY
      'DDDD, CUU' OR 'CONSOLE'
ENTER INPUT/COMMAND:
```

This message tells you that the Device Support Facilities (ICKDSF) is loaded and ready.

7. IPL CMS.

```
#cp ipl cms  
z/VM V7.3.0   yyyy-mm-dd hh:mm  
  
ENTER  
Ready; T=n.nn/n.nn hh:mm:ss
```

8. Rewind the tape and store it for future use.

```
tape run
```

### Step 3. Create an IPLable ICKDSF utility tape

---

## Chapter 9. Configure an initial network connection and back up the system

### **In this chapter, you will:**

- Configure a basic TCP/IP network connection.
- Optionally back up the system.

# Step 1. Configure TCP/IP for an initial network connection

You can optionally create a minimal TCP/IP configuration that establishes basic connectivity to your IP network. The TCP/IP configuration created in this step provides only a basic IP network connection for your z/VM host. In addition, this configuration is suitable for installations that employ only static (as opposed to dynamic) network routes.

**Note:** The IP configuration wizard supports real network devices only. If you plan on using virtual network devices for TCP/IP, they must be configured manually. See [z/VM: TCP/IP Planning and Customization](#).

If you choose to configure a basic IP network connection for your z/VM host at this time, continue with this step. Otherwise, go to “Step 2. Optionally back up the system” on page 94.

**Note:** If you are using QDIO Layer 2 for the network interface in IPWIZARD, you need to add or update the VMLAN MACPREFIX statement in your SYSTEM CONFIG file to define a unique MAC address prefix for this system. If you are installing a multimember SSI, the VMLAN MACPREFIX and USERPREFIX must be configured in each SSI member. For more information, see “Media Access Control (MAC) Address” in [z/VM: Connectivity](#), and the VMLAN statement in [z/VM: CP Planning and Administration](#). If changes are made to your SYSTEM CONFIG file, the z/VM image must be re-IPLed so that the statements take effect.

For details about any DTCIPW messages you might receive while running IPWIZARD, see [z/VM: TCP/IP Messages and Codes](#).

To establish a TCP/IP configuration that provides more comprehensive TCP/IP services, after you have completed your z/VM installation, see [z/VM: TCP/IP Planning and Customization](#).

If you are going to use [z/VM: Getting Started with Linux on IBM Z](#) to set up your Linux on IBM Z images, skip this step and go to “Step 2. Optionally back up the system” on page 94.

If you came to this step from [z/VM: Getting Started with Linux on IBM Z](#), continue with this step and then return to [z/VM: Getting Started with Linux on IBM Z](#).

Perform the following steps to configure TCP/IP for an initial network connection.

1. Gather the necessary information from your network system administrator and record the information in the tables in [Appendix L, “Basic TCP/IP connectivity worksheets,”](#) on page 285.

If you are installing a multimember SSI, the TCP/IP configuration must be done separately on each SSI member. Fill out a set of configuration worksheets for each member on which you will create a minimal TCP/IP configuration. Configuration worksheets can be found in [Appendix L, “Basic TCP/IP connectivity worksheets,”](#) on page 285.

**Note:** You can use the QUERY CHPIDS command to verify that the CHPID associated with your network interface device number is online. If the CHPID is not online, you can use the VARY ON CHPID command to bring it online.

2. Log on to the system/member you are going to configure as MAINT730.

```
logon maint730
:
Ready; T=n.nn/n.nn hh:mm:ss
```

3. Access the minidisk 193 as file mode E.

```
access 193 e
Ready; T=n.nn/n.nn hh:mm:ss
```

4. Run IPWIZARD.

```
ipwizard
```



## Step 1. Configure TCP/IP for an initial network connection

```
*** z/VM TCP/IP Configuration Wizard ***

The items that follow describe your z/VM host.

User ID of VM TCP/IP stack virtual machine: TCPIP___

Host name: _____
Domain name: _____

Gateway IP address: _____

DNS IP Addresses:
1) _____
2) _____
3) _____
:
PF1 = HELP PF3 = QUIT PF8 = Continue ENTER = Refresh
```

5. Using the information you gathered in the TCP/IP configuration worksheets (in [Appendix L, “Basic TCP/IP connectivity worksheets,”](#) on page 285), fill in the z/VM TCP/IP Configuration Wizard panel and press F8 to continue.
6. Fill in the General Interface Configuration Panel and press F8 to continue. The panel content will depend on whether IPv4 or IPv6 is to be used.
7. Fill in the Interface Configuration Panel and press F5 to process. The panel content will depend on which interface type is to be used.
8. IPWIZARD attempts to create the TCP/IP configuration files. If the TCPIP user ID is logged on, IPWIZARD asks if you want to restart TCP/IP and continue processing.

```
DTCIPW2508I DTCIPWIZ EXEC is attempting to create the necessary
DTCIPW2508I configuration files
The TCP/IP stack (TCPIP) must be restarted as part of this procedure. Would
you like to restart TCPIP and continue?
Enter 0 (No), 1 (Yes)
```

If you continue, IPWIZARD tests the information you provided and returns any errors that occurred. If no errors are encountered, TCP/IP configuration files containing the network information you provided are created. For additional information on configuring TCP/IP, see [z/VM: TCP/IP Planning and Customization](#).

9. The PROFILE EXEC on the AUTOLOG1 191 minidisk contains a commented-out XAUTOLOG statement for TCPIP. Removing the comment characters around the statement will autolog the TCPIP server during CP IPL.

```
link autolog1 191 999 wr
access 999 z
xedit profile exec z
```

Remove the comment characters from this line:

```
/* "PIPE CP XAUTOLOG TCPIP" */
```

The line should now look like this:

```
"PIPE CP XAUTOLOG TCPIP"
```

Then:

```
file
release z (detach
```

10. If you have a multimember SSI cluster, log on as MAINT730 on each member and repeat substeps “3” on page 92 through “9” on page 93 to configure a basic IP network connection for each member, using the corresponding tables from [Appendix L, “Basic TCP/IP connectivity worksheets,”](#) on page 285.

## **Step 2. Optionally back up the system**

---

If you choose to back up your system at this time, use your site backup procedures or see one of the following appendixes:

- [Appendix D, “Back up the named saved systems and segments to tape,” on page 265](#)
- [Appendix E, “Back up the z/VM system to tape,” on page 267](#)
- [Appendix F, “Back up the z/VM system to DASD,” on page 271.](#)

### **What to do next**

Continue to [Chapter 10, “Preinstalled licensed products and features,” on page 95.](#)

## Chapter 10. Preinstalled licensed products and features

**Note:** Some of the preinstalled product and features require additional installation steps. You must complete these steps for the product or feature to be completely installed.

The z/VM installation media was built incorporating the following licensed products and features.

<i>Table 8. Preinstalled Licensed Products and Features</i>				
<b>Product name</b>	<b>Release level</b>	<b>Program number</b>	<b>Is the product or feature installed disabled or enabled?</b>	<b>Do I need to configure before using the product or feature?</b>
Directory Maintenance Facility	7.3.0	5741-A09	Disabled <sup>1</sup>	Yes <sup>2</sup>
HCD and HCM for z/VM	7.3.0	5741-A09	Enabled	No <sup>3</sup>
ICKDSF	1.17.0	5684-042	Enabled	No
Performance Toolkit for z/VM	7.3.0	5741-A09	Disabled <sup>1</sup>	Yes <sup>2</sup>
RACF Security Server for z/VM	7.3.0	5741-A09	Disabled <sup>1</sup>	Yes <sup>2</sup>
RSCS Networking for z/VM	7.3.0	5741-A09	Disabled <sup>1</sup>	Yes <sup>2</sup>
TCP/IP for z/VM	7.3.0	5741-A09	Enabled	Yes <sup>2</sup>
<b>Notes:</b>				
1. This product or feature is not available for customer use unless you have a license for it. To use this product or feature, you must order it as documented in the appropriate program directory.				
2. To use this product or feature, it must be configured. For configuration information, see the appropriate program directory.				
3. This product can be customized.				

For detailed information about a product or feature, see its own documentation. See the [“Bibliography”](#) on page 367.

## Directory Maintenance Facility

---

Directory Maintenance Facility provides support for all the z/VM directory statements. DirMaint also provides additional utilities to help manage minidisk assignments and allocations, and provides a level of security regarding command authorizations and password monitoring.

**Installation Instructions:** The installation of DirMaint is complete. To use DirMaint, it must be enabled and configured. See section "6.0 Installation Instructions" in Directory Maintenance Facility program directory.

## Hardware Configuration Definition and Hardware Configuration Manager for z/VM

---

Hardware Configuration Definition and Hardware Configuration Manager for z/VM (HCD and HCM for z/VM) provides a comprehensive I/O configuration management environment, similar to that available with the z/OS operating system.

HCM runs on a Microsoft Windows-based personal computer connected to the z/VM system through a TCP/IP network connection. HCM provides a graphical user interface as well as commands to help you configure your system. You supply the needed I/O configuration information to HCM, which processes the information and passes it to HCD.

HCD runs in a z/VM server virtual machine and performs the work of actually creating and changing the hardware and software aspects of your I/O configuration. While HCM provides the primary user interface to HCD, HCD also provides a backup user interface on your z/VM host for certain I/O configuration tasks, in case HCM is not available.

z/VM's original dynamic I/O configuration capabilities are still valid. These consist of a set of system operator commands for changing the IBM Z server's I/O configuration while the system continues to run, or for managing the hardware I/O configuration of all of the logical partitions in your IBM Z server. You now have the choice of either using these commands or else using HCM and HCD to manage your I/O configuration. Note, however, that the use of HCM and HCD is incompatible with the original dynamic I/O configuration capabilities. You should select one method to use for the duration of any given IPL of your z/VM system.

**Installation Instructions:** The installation of the HCD host code is complete. To **install** the workstation code (user interface) and customize HCD, see section "6.0 Installation Instructions" in the Hardware Configuration Definition and Hardware Configuration Manager program directory and follow the installation instructions.

## Device Support Facilities (ICKDSF)

---

Device Support Facilities (ICKDSF) is a program you can use to perform functions needed for the installation, use, and maintenance of IBM DASD. You can also use it to perform service functions, error detection, and media maintenance.

**Installation Instructions:** No additional installation instructions are required.

## Performance Toolkit for z/VM

---

Performance Toolkit for z/VM provides performance management capabilities for z/VM systems. It is a performance analysis tool for z/VM systems that can be used to detect and diagnose performance problems, analyze system performance, and provide printed reports that show the utilization and response times of key system components. You can also use Performance Toolkit for z/VM to improve operator efficiency and productivity.

**Installation Instructions:** The installation of Performance Toolkit for z/VM is complete. To use Performance Toolkit for z/VM, it must be enabled and configured. See section "6.0 Installation Instructions" in Performance Toolkit for z/VM program directory.

## RACF Security Server for z/VM

---

RACF Security Server for z/VM (RACF) is a product that works together with the existing system features of z/VM to provide improved data security for an installation.

**Installation Instructions:** The installation of RACF is complete. To use RACF, it must be enabled and configured. See section "1.0 Introduction" in Resource Access Control Facility (RACF) Security Server program directory.

RACF database requirements:

- For z/VM non-Single System Image (SSI) installation, the primary and backup RACF databases were defined during the install.
- For z/VM SSI installation, you must *manually* define the primary and backup RACF databases as two 3390 full-pack minidisks. For SSI, it is required that the RACF database be shared between the members of an SSI cluster. See the Sharing RACF Databases in a z/VM Single System Image Cluster section of the *z/VM: RACF Security Server System Programmer's Guide*. See also *z/VM: CP Planning and Administration* for more information on DASD sharing.

## Remote Spooling Communications Subsystem (RSCS) Networking for z/VM

---

Remote Spooling Communications Subsystem (RSCS) Networking for z/VM lets users send messages, files and mail to coworkers at other systems on their TCP/IP, SNA, or non-SNA network. They can also use RSCS to print documents and issue commands on other systems.

RSCS uses z/VM spooling facilities to store and retrieve data. RSCS can transfer data to other systems (such as z/VM, z/OS, OS/400®, VSE/ESA, UNIX, Linux on IBM Z, and AIX/ESA®) that support Network Job Entry (NJE) protocols. NJE connectivity options include TCP/IP, SNA, ESCON, channel to channel, and Binary Synchronous Communication.

RSCS also supports secure data transfer between z/VM spool and a system that is a workstation that supports Remote Job Entry (RJE) or Multileaving RJE (MRJE) protocols. RJE/MRJE connectivity options include SNA, and Binary Synchronous Communication.

RSCS provides the full range of all possible print service connectivity options. Instead of LPSERVE, the RSCS server may be chosen to provide an enhanced level of TCP/IP print support, including LPR and LPD. These services allow for intranet and internet print delivery for a system, and also accept print output from those networks. The ability to print data at a workstation printer in a transparent manner is available to end users regardless of how the printer is accessed.

The enhanced level of TCP/IP print support provided by RSCS (LPR, LPD, UFT, and TN3270E) may be used without obtaining a license for RSCS and enabling RSCS. All other RSCS features can only be used after obtaining a license and enabling RSCS.

**Installation Instructions:** The installation of RSCS is complete. To use RSCS, it must be enabled and configured. See section "6.0 Installation Instructions" in Remote Spooling Communications Subsystem (RSCS) Networking program directory.

## Transmission Control Protocol/Internet Protocol for z/VM

---

Transmission Control Protocol/Internet Protocol for z/VM (TCP/IP) enables z/VM customers to participate in a multivendor, open networking environment using the TCP/IP protocol suite for communications and interoperability. The applications provided in TCP/IP include the ability to transfer files, send mail, log on a remote host, allow access from any other TCP/IP node in the network, and perform other network client and server functions.

**Installation Instructions:** The installation of TCP/IP is complete. To use TCP/IP, it must be configured. See section "6.0 Installation" in TCP/IP program directory for more information. If you used the IPWIZARD command to initially configure TCP/IP, additional modifications may be required depending on the needs of your installation.

### **Congratulations!**

You have completed z/VM installation. Your system will need to be tailored and there are several planning and administration guides available to aid you. See [“Bibliography” on page 367](#).

Return to the z/VM System Delivery Offering program directory when you are ready to install other licensed products.

---

## Part 4. Upgrade installation for non-SSI, one-member SSI, or the first member of a multi-member cluster

This part contains the procedures to follow if you are upgrading a z/VM 7.1 or 7.2 system that is non-SSI, the only member of a one-member SSI cluster, or the first member of a multi-member SSI cluster to z/VM 7.3.

If you are upgrading the second, third, or fourth member of an SSI cluster, go to [Part 5, “Upgrade installation for subsequent members of a multi-member cluster,”](#) on page 213.

### **In this part, you will:**

- Plan your non-SSI, one-member SSI, or Member 1 upgrade installation.
- Complete the Member 1 upgrade installation worksheets.
- Install the z/VM 7.3 work system.
- Upgrade your current z/VM 7.1 or 7.2 system to z/VM 7.3.





## Chapter 11. Upgrade installation overview

An upgrade installation is used to upgrade a z/VM 7.1 or 7.2 system or member of an SSI cluster to z/VM 7.3.

In a *traditional installation*, a new z/VM 7.3 system or SSI cluster is installed on a set of DASDs, which can then be customized according to your needs.

In an *upgrade installation*, a work system is installed as a second-level guest of the system or member that you want to upgrade. The new level of code from the work system is then moved to the system that is being upgraded.

The system to be upgraded can be a non-SSI system, the only member of a single-member SSI cluster, or any member of a multi-member SSI cluster.

In a multi-member SSI cluster, you will upgrade one member at a time so that there is minimal impact to the other members. Note that you must complete the upgrade for one member before starting the upgrade of the next member. The work system installed when upgrading your first member will be used to upgrade the remaining members of the SSI cluster.

### Restrictions on using the upgrade installation procedure

- Upgrading from a mixed-release SSI cluster is not allowed. Before beginning the upgrade of a multi-member SSI cluster, all members must be running the same release level.
- After one member of the SSI cluster has been upgraded to the new z/VM 7.3 release, no remaining member can be upgraded to any release other than z/VM 7.3.
- All of the current members of your SSI cluster must be upgraded to z/VM 7.3 before you add any additional members.
- If you are upgrading systems that are members of a group that is managed by z/VM CSM:
  - Before upgrading, you must remove member systems from the group (including the principal system, if you are using z/VM CSM to manage the principal), using the following command:

```
SERVGR SYSTEM DELETE vrm systemname
```

- Before upgrading any other members of the group, you must first upgrade the group's principal system.

For more information about upgrading a z/VM-CSM-managed environment, see the [z/VM: Service Guide](#).

Furthermore, this procedure cannot be used if any of the following changes were made to the system that is to be upgraded:

- The default values in the VMSESE PROFILE file or the VMFINS DEFAULTS file were changed.
- An override to the SERVP2P PPF is being used for SERVICE and PUT2PROD.
- The format of the user directory shipped by IBM was changed by replacing identity/subconfig definitions with user entries.
- IBM-supplied USER or IDENTITY names were changed or deleted.
- IBM-supplied minidisk addresses were changed or deleted.
- IBM-supplied minidisks were moved under different user IDs or moved from the subconfig section to the identity section of the user ID.

**Note:** The list of IBM-supplied user IDs can be found in [Appendix N, “IBM-supplied user IDs,”](#) on page 297.

### Upgrade installation: a two-stage approach

An upgrade installation is performed using a two-stage approach, with two separate sets of changes being defined and then made to the system that is being upgraded. The first set of changes, STAGE1, can be made to the system that is being upgraded without disrupting your production workload. Note that you will need to recycle all of your DirMaint servers in between STAGE1 and STAGE2.

After the STAGE1 changes are made, you must stop all normal production work on the system that is being upgraded or move that workload to another system. In an SSI cluster environment, you can relocate production Linux on IBM Z workloads from the system that is being upgraded to other members of your cluster before performing STAGE2 activities.

After you have relocated or stopped your workloads, use your normal backup procedures to create a backup of the system you are upgrading. You will then be ready to proceed to STAGE2.

When the STAGE2 changes are complete, you will IPL the upgraded system with the new level of z/VM and restart your normal workloads.

### Upgrade installation: overall workflow

The overall workflow of an upgrade installation follows:

- **Plan your upgrade installation** for this system and complete the upgrade installation worksheets.
- **Install a z/VM 7.3 work system** for your upgrade installation. Run INSTPLAN, verify your upgrade installation volumes, and then run INSTALL.
- Use your normal backup procedures to **create a backup** of the system you are upgrading.
- **Generate the STAGE1 changes file.** Run INSTUPGR with the STAGE1 operand and the PRIME option to create a file containing the specific STAGE1 changes to be made to the system or member that is being upgraded.
- **Make the STAGE1 changes.** Run INSTUPGR with the STAGE1 operand and the COMMIT option to update the system or member that is being upgraded with the changes identified previously.
- **Finish the STAGE1 upgrade.** Before running STAGE2, you will need to review security manager and user directory considerations. If you have any local modifications to components that are upgraded to the new release, you will also need to rework them. Note that when the first member of an SSI cluster is upgraded, all members of the cluster will be upgraded to the new level of DirMaint between STAGE1 and STAGE2.

**Note:** *The DirMaint configuration files from the old release will need to be moved to the new release disks and all DirMaint servers (DIRMAINT, DATAMOVE, and DIRMSAT) on all members in an SSI cluster will need to be recycled before starting STAGE2.*

- **Back up the system** that is being upgraded. At this point, all production work running on the system or member that is being upgraded must be stopped or relocated to another member of your cluster and a backup of the system that you are upgrading must be created.
- **Generate the STAGE2 changes file.** Run INSTUPGR with the STAGE2 operand and the PRIME option to create a file containing the specific STAGE2 changes to be made to the system or member that is being upgraded.
- **Make the STAGE2 changes.** Run INSTUPGR with the STAGE2 operand and the COMMIT option to update the system or member that is being upgraded with the STAGE2 changes identified previously. The VMPSFS, VMSYS, VMSYSU, and VMSYSR servers will be recycled during the STAGE2 commit process.
- **Finish the upgrade of your system.** To complete the upgrade, you will review updates and considerations, IPL your upgraded system or member, migrate LPs, and perform manual updates.
- **Resume your normal production work.**

If you are upgrading a single system or a single-member SSI cluster, you are done.

If you are upgrading the first member of a multi-member SSI, you have completed the upgrade of this member. When you are ready to upgrade the remaining members of the SSI, go to [Part 5, “Upgrade](#)

installation for subsequent members of a multi-member cluster,” on page 213. z/VM supports running multiple levels of z/VM in one cluster, so you can run the new level of VM on one member until you are satisfied. When you are ready, you can upgrade the next member.



---

## Chapter 12. Plan your non-SSI, one-member SSI, or Member 1 upgrade installation

### **In this chapter, you will:**

- Plan your non-SSI, one-member SSI, or Member 1 upgrade installation.
- Complete the Member 1 upgrade installation worksheets.

# Step 1. Select your upgrade installation source

---

**Note:** The use of secure and non-secure FTP servers is supported for z/VM installation. In this publication, the term *FTP server* refers to secure and non-secure FTP servers.

1. The z/VM 7.3.0 product was obtained by ordering electronic delivery or by ordering physical DVDs.
  - If your z/VM product was obtained through electronic delivery:
    - You must follow the instructions that accompanied the deliverable to do one of the following before starting your upgrade installation:
      - Create two physical DVDs from the 3390 or SCSI electronic media, one that contains the contents of DISC 1 of the z/VM Product Package installation media and one that contains the contents of DISC 2 of the z/VM Product Package installation media.
      - Load the contents of both of the z/VM product deliverables onto a USB flash drive from the 3390 or SCSI electronic media.
      - Load the contents of both of the z/VM product deliverables into the same FTP server directory from the 3390 or SCSI electronic media.
  - If your z/VM product was obtained on physical DVDs:
    - Make sure you have both of the z/VM product DVDs for 3390 or SCSI.
2. An upgrade installation can be done from one of the following sources:
  - A physical DVD mounted in a DVD drive connected through an FTP server (referred to as "From a DVD Drive").
  - A USB flash drive connected through an FTP server (referred to as "From an FTP Server").
  - An FTP server that has access to a directory where the files from the physical DVDs or electronic deliverable have been or will be stored (referred to as "From an FTP Server").
  - A CMS-formatted minidisk (referred to as "From a VM Minidisk") where the files will be uploaded from the physical DVDs or the FTP server. This CMS-formatted minidisk must be accessible by the installation user ID MIGMAINT.
3. Select your upgrade installation source, keeping in mind the following requirements:
  - If installing from a physical DVD mounted in a DVD drive connected through an FTP server:
    - The FTP server must comply with RFC 959 and RFC 1123.
    - The z/VM FTP installation procedure complies with the FTP client protocol standards described in RFC 959 and RFC 1123. Passive FTP data transfers are used in order to minimize the effects of intervening firewall systems, so your FTP server must support the PASV command.
    - The FTP server must have a TCP/IP communication path to the system you are upgrading.
    - The FTP server must be able to access the DVD drive.
  - If installing from a USB flash drive connected through an FTP server:
    - The FTP server must comply with RFC 959 and RFC 1123.
    - The z/VM FTP installation procedure must comply with the FTP client protocol standards described in RFC 959 and RFC 1123. Passive FTP data transfers are used in order to minimize the effects of intervening firewall systems, so your FTP server must support the PASV command.
    - The FTP server must have a TCP/IP communication path to the system you are upgrading.
    - The FTP server must be able to access the USB flash drive.
  - If installing from an FTP server that has access to a directory where the files from the physical DVDs or electronic deliverables have been stored:
    - The FTP server must comply with RFC 959 and RFC 1123.

## Step 1. Select your upgrade installation source

- The z/VM FTP installation procedure complies with the FTP client protocol standards described in RFC 959 and RFC 1123. Passive FTP data transfers are used in order to minimize the effects of intervening firewall systems, so your FTP server must support the PASV command.
- The FTP server must have a TCP/IP communication path to the system you are upgrading.
- The FTP server must be able to access the directory where the contents of the DVDs will be stored.
- The contents of DISC 1 and DISC 2 of the z/VM Product Package installation media must be stored in the same directory.
- There must be at least 6 GB of available space to store the contents of the z/VM Product Package DVDs.
- If installing from a CMS-formatted minidisk where the contents of the physical DVD or electronic deliverable will be uploaded:
  - The CMS-formatted minidisk must be the equivalent of at least 8000 cylinders of 3390 DASD space.
  - You must be able to write to the CMS-formatted minidisk to load the files.
  - This CMS-formatted minidisk must be accessible by the installation user ID MIGMAINT.

# Step 2. Review the requirements for using the upgrade procedure

---

Before performing the z/VM 7.3 upgrade procedure, you must review the following information and make sure all requirements are satisfied.

### 1. Hardware requirements:

- A processor supported by the release of z/VM that is running first level and by the release of z/VM that is being installed second level. For a list of processors supported by z/VM, see [z/VM: General Information](#).
- Access to a local 3270 terminal, or equivalent, configured with at least 32 lines and 80 columns.

### 2. System software requirements:

- z/VM 7.1 or 7.2 running in the LPAR you are upgrading.
- You must make sure you have the appropriate licenses for z/VM 7.3 and for all of the following optional features that are enabled in your z/VM 7.1 or 7.2 environment.
  - Directory Maintenance Facility (DirMaint)
  - Performance Toolkit for z/VM (PERFTK)
  - RACF Security Server for z/VM (RACF)
  - RSCS Networking for z/VM (RSCS).

You will be required to verify that you have the licenses needed during upgrade installation processing.

### 3. System requirements:

- If any system names or member names contain the string VMCP, you should contact the IBM Support Center for assistance before starting an upgrade.
- If upgrading a multimember SSI:
  - There must be a shared source for the user directory file.
  - There must be a shared SYSTEM CONFIG file for all members of the cluster.
- If upgrading a system that is being managed by z/VM CSM, you must remove the system from the z/VM CSM group before attempting to upgrade it. See "Special service management tasks" in Chapter 11 of the [z/VM: Service Guide](#) for information about leaving a z/VM CSM group.
- If you are using RACF Security Server for z/VM and you share your z/VM RACF database with z/OS, this sharing is no longer supported on z/VM 7.3.0. To create a copy of the z/VM RACF database on a z/VM minidisk, you should follow the instructions in the [z/VM: RACF Security Server System Programmer's Guide](#), Chapter 5, "Utilities for the RACF Database", "The RACF Database Split/Merge/Extend Utility Program (IRRUT400)", "Examples of IRRUT400 usage".
- If you are using RACF Security Server for z/VM, you should verify the integrity of your RACF database before you begin your upgrade by running the RACF utility RACUT200. If you are upgrading a system that shares its RACF database with SSI members or with non-SSI systems, this only needs to be done for the first system you are upgrading. Instructions for running the RACUT200 utility can be found in Section 6.4, Step 1 of the [Program Directory for RACF Security Server for z/VM, function level 730](#). Do not continue to Step 2 in the program directory. Instead, you will run the template conversion utility following Stage 1 of your upgrade to z/VM 730.

### 4. MIGMAINT user ID requirements:

- You must complete the upgrade installation from the MIGMAINT user ID logged on to the system/member you are upgrading.

**Note:** The default MIGMAINT user ID as shipped with z/VM 7.1 or 7.2 meets all of the requirements that are listed in this substep. If you have made any changes to the user ID as shipped (security changes, for example), you must make sure the user ID still meets these requirements.

The MIGMAINT user ID requirements are:



## Step 2. Review the requirements for using the upgrade procedure

- Privilege classes of at least B and G.
  - Authority to issue the DEFINE MDISK command.
    - The default privilege class for this command is class A and the directory entry for MIGMAINT must include DEVMAINT on the OPTION statement.
    - DEFINE MDISK can also be controlled by an external security manager (ESM), such as RACF.
  - Administrator authority for the VMSYS, VMPSFS, and VMSYSU file pools.
  - Access to the INSTPIPE MODULE that was shipped with your current release of z/VM. The module was shipped on the MAINT 193 minidisk.
  - At least 256 MB of virtual storage.
  - A 191 read/write minidisk accessed as file mode A.
  - A 2222 read/write minidisk, matching the installation DASD type (3390 or FBA) of the system you are upgrading, that is exactly:
    - 10 cylinders (3390).
    - 14400 512-KB blocks (FBA).
  - A 24CC read/write minidisk, matching the installation DASD type (3390 or FBA) of the system you are upgrading. This minidisk cannot be defined on a temporary disk and must be exactly:
    - 10 cylinders (3390).
    - 14400 512-KB blocks (FBA).
  - A 2CF0 read/write minidisk, matching the installation DASD type (3390 or FBA) of the system you are upgrading. This minidisk cannot be defined on a temporary disk and must be exactly:
    - 120 cylinders (3390).
    - 172800 512-KB blocks (FBA).
5. Conditional requirements for the MIGMAINT user ID:
- If you will install your work system using a CMS-formatted minidisk (referred to as "From a VM Minidisk"):
    - MIGMAINT will need to be able to access the CMS-formatted minidisk where the installation files are or will be loaded. If you will be loading the files to the minidisk from MIGMAINT, MIGMAINT must have read/write access to the minidisk.
  - If you are using a directory manager program, such as DirMaint:
    - MIGMAINT must be authorized to issue directory manager commands on behalf of other users without the need to supply a password.
    - Refer to your directory manager documentation for additional requirements.
      - If you are using DirMaint, review and comply with the upgrade requirements in Appendix C of the *Program Directory for Directory Maintenance Facility for z/VM*, function level 730.
      - If you are upgrading the first member of an SSI cluster and you are using DirMaint, to avoid potential timing issues during upgrade, IBM recommends that you bring up the DIRMAINT server on the system that you are upgrading and that you run the appropriate DIRMSAT\* servers on the other systems in your SSI cluster.
  - If you are using a security manager program, such as RACF:
    - MIGMAINT must be authorized to link to any minidisk in write mode on the system without the need to supply a password (by specifying ATTRIBUTE=OPERATIONS in the RACF profile for MIGMAINT, for example).
    - Refer to your security manager documentation for additional requirements.
  - If the system being upgraded has products loaded to the VMPSFS filepool and you are upgrading a non-SSI, a one-member SSI, or the first member of a multimember SSI:
    - MIGMAINT needs a 2191 read/write minidisk, which:

## Step 2. Review the requirements for using the upgrade procedure

- Must be formatted with 4K blocks.
  - Cannot be defined on a temporary disk.
  - Has enough free space to hold all required SFS files from the work system. The amount of space needed on the 2191 minidisk is determined by which products you have installed to the VMPSFS file pool.
- Calculate the size needed for the 2191 minidisk, using [Table 9 on page 110](#).

<b>Product</b>	<b>3390 cylinders needed</b>	<b>FBA (512-KB) blocks needed</b>
VM	1167	1680480
PERFTK	26	37440
VMHCD	550	800000
RACF	78	112320
DIRM	36	51840
RSCS	46	66240
ICKDSF	0	0
TCPIP	206	296640

Total the number of cylinders or FBA blocks needed for all of the products that the system being upgraded has loaded to the file pool.

- Make a note of the disk size needed. Using your normal directory update procedures, define a 2191 minidisk for MIGMAINT that is at least the required size in cylinders or FBA blocks.

## Step 3. Review the DASD requirements

---

1. For upgrade installation purposes, there are three kinds of DASD volumes: COMMON, RELEASE, and MEMBER.
  - COMMON volumes:
    - A set of volumes shared across an entire SSI cluster. The COMMON volumes that were defined when you installed z/VM have default labels of VMCOM1 and VMCOM2. You might have added additional COMMON (shared) volumes to your cluster.
  - RELEASE volumes:
    - A set of shared volumes for each release of z/VM on your system or in your cluster.
    - Each release of z/VM has its own set of volumes.
    - The default labels for RELEASE volumes are *vrmRL1* and *vrmRL2*, where *vrm* is the release level for a specific set of volumes (730, for example).
    - When upgrading to a new release, a new set of RELEASE volumes will be added to your system or SSI cluster.
  - MEMBER volumes:
    - One set of system volumes for each member, some of which are shared with other members in an SSI cluster.
    - This set of volumes consists of:
      - A system residence volume.
        - The default volume label is *M0mRES*, where *m* is the number of the member in the member list on the SSI configuration statement (*M01RES* for member 1, for example). This volume contains member-specific data such as the warm start and checkpoint areas, the object directory, and member-specific minidisks, and is not shared in an SSI cluster.
      - If the system residence volume is not large enough to contain all of the system/member specific minidisks, more MEMBER volumes are required.
        - The default volume labels are *M0mW0n*, where *m* is the number of the member and *n* is the number of the volume (*M01W01* and *M01W02*, for example). These volumes are not shared in an SSI cluster.
      - Volumes that contain paging space:
        - The CP-owned volumes for paging space are also member- specific and nonshared.
        - The default volume labels are *M0mPnn* (*M01P01* for member 1 and *M02P01* for member 2, for example).
      - Volumes that contain spool space:
        - The spool volumes owned by each member are shared with the other members.
        - The default volume labels are *M0mSnn* (*M01S01* for member 1 and *M02S01* for member 2, for example).
2. Upgrade installation requires DASD volumes to install a work system. During the upgrade of a non-SSI or a one-member SSI, the new RELEASE volumes created on the work system will be added to the system that is being upgraded. All DASD volumes that are used to install the work system, except for these RELEASE volumes, will no longer be needed after the upgrade is complete.
3. When upgrading the **first** member of a multi-member SSI, the DASD volumes used to install the work system must be volumes that can be attached to all members of your cluster. After the upgrade of the first member of a cluster is complete, the work system RELEASE volumes become permanent volumes in your cluster. The remaining volumes used to install the work system will be used to upgrade the subsequent members of the SSI cluster. Do **not** reuse any of the volumes that you are using for the work system until you have upgraded **all** of the members of your SSI cluster.

### Step 3. Review the DASD requirements

- If any members of your cluster are running as a second-level guest, you should use MDISK statements with the DEVNO option in the user directory definitions to attach the DASD volumes to all members of your cluster in write mode at the end of your upgrade. See *z/VM: CP Planning and Administration* for more information about the MDISK statement in the user directory.

#### 4. DASD volumes needed to install work systems:

- The DASD type (3390 or FBA) of your work volumes must match the installation DASD type of the system you are upgrading. The minimum size of FBA work volumes is 6.0 GB. The minimum size of 3390 work volumes is 10016 cylinders.
- When upgrading a multi-member SSI, the DASD volumes used to install the work system for the first system upgraded must be kept to upgrade the remaining members of the SSI cluster.
- The release volumes created when the first member is upgraded will become permanent volumes and will be attached to all of the systems that are being upgraded.
- The number of FBA DASD volumes needed to install the work system:
  - Note that z/VM installation supports only emulated FBA on SCSI volumes. Real FBA volumes are not supported.
  - If the size of your FBA volumes is equal to or greater than 9 GB:
    - You will need five volumes. You will *not* need the RELVOL2 volume.
      - One volume is the permanent release volume.
      - The other four volumes are temporary.
    - If the size of your FBA volumes is less than 9 GB:
      - If the system you are upgrading has all products loaded to minidisk, you will need six volumes:
        - Two volumes are permanent release volumes.
        - The other four volumes are temporary.
      - If the system you are upgrading has all products loaded to file pool, you will need five volumes. You will *not* need the RELVOL2 volume.
        - One volume is the permanent release volume.
        - The other four volumes are temporary.
      - If the system you are upgrading has some products loaded to minidisk and some products loaded to file pool, you might or might not need the RELVOL2 volume. Based on the size of your installation volumes, the INSTPLAN command (which you will run in Chapter 14, “Install a z/VM 7.3 work system for your upgrade installation,” on page 147) will indicate whether or not you need RELVOL2.
  - The number of 3390 DASD volumes needed to install the work system:
    - If the size of your 3390 volumes is equal to or greater than 12300 cylinders:
      - You will need five volumes. You will *not* need the RELVOL2 volume.
        - One volume is the permanent release volume.
        - The other four volumes are temporary.
      - If the size of your 3390 volumes is less than 12300 cylinders:
        - If the system you are upgrading has all products loaded to minidisk, you will need six volumes:
          - Two volumes are permanent release volumes.
          - The other four volumes are temporary.
        - If the system you are upgrading has all products loaded to file pool, you will need five volumes. You will *not* need the RELVOL2 volume.
          - One volume is the permanent release volume.
          - The other four volumes are temporary.

- If the system you are upgrading has some products loaded to minidisk and some products loaded to file pool, you might or might not need the RELVOL2 volume. Based on the size of your installation volumes, the INSTPLAN command (which you will run in Chapter 14, [“Install a z/VM 7.3 work system for your upgrade installation,”](#) on page 147) will indicate whether or not you need RELVOL2.

5. DASD space needed on the system being upgraded:

- DASD space is also required for new and changed minidisks that do not reside on the RELEASE volumes. This space must be defined on volumes that already belong to the system being upgraded.
- On each system you are upgrading, you will need space on one or more MEMBER volumes. These volumes should be attached to the system you are upgrading before you begin your upgrade.
- When upgrading a non-SSI, a one-member SSI, or the *first* member of a multi-member SSI, space is also needed on a COMMON volume. This volume should be attached to the system you are upgrading before you begin your upgrade.
- The total space needed on the MEMBER and COMMON volumes that belong to the system being upgraded will be calculated in [“Member 1: upgrade installation worksheets”](#) on page 126.

# Step 4. Prepare the system before you start the upgrade process

Before performing the z/VM 7.3 upgrade installation, you must review the following information and make any required updates.

1. Review the following topics at IBM: z/VM Installation Resources (<https://www.vm.ibm.com/install>) for current information affecting installation:
  - Important z/VM Installation News
  - z/VM Installation Tips
  - Preventive Service Planning (PSP) bucket for z/VM 730 installation
2. Verify that the VMSES/E control files contain correct system information. The system name returned by the QUERY USERID command must match the system name contained in the following VMSES/E files found on the system to be upgraded:

**Note:** If any system names or member names contain the string VMCPDR, you should contact the IBM Support Center for assistance before starting an upgrade.

- VM SYSSUF file, found on the MAINT710 or MAINT720 51D minidisk
    - In the VM SYSSUF file, verify that the system name (or one of the system names in a multimember SSI) on each :PRODLEV tag matches the system name returned by the QUERY USERID command. If the names do not match or the name is missing on any of the :PRODLEV tags for any of the components, contact IBM service for assistance in correcting this information.
  - **Note:** The SERVICE ALL STATUS command can be used to display production-level information for all systems.
  - VM SYSPINV file, found on the PMAINT 41D minidisk
    - In the VM SYSPINV file, verify that the system name (or one of the system names in a multimember SSI) on each :SYSTEM tag matches the system name returned by the QUERY USERID command. If the names do not match or the name is missing on any of the :SYSTEM tags for any of the components, contact IBM service for assistance in correcting this information.
3. Install all required service on your z/VM 7.1 or 7.2 system.
    - If you are upgrading a multimember SSI, you should install the PTF for APAR VM66462 on all members of your cluster before upgrading any members of the cluster.
    - If you are upgrading from z/VM 7.1, you should install and put into production the PTF for VMSES/E APAR VM66519 (UM35857). This PTF was included on RSU 7105 (CP Service level 2101).
    - If you are upgrading from z/VM 7.1, you are using RACF/VM and DirMaint on your system, and DirMaint is enabled to communicate with RACF (USE\_RACF= YES), you should install and put into production the PTF for DirMaint APAR VM66044 (UV99365) before you begin your upgrade.
    - If you are using RACF/VM and DirMaint on your system and DirMaint is enabled to communicate with RACF (USE\_RACF= YES), and you also have ESM logging enabled for DirMaint (ESM\_LOG\_RECORDING\_EXIT= DVHESMLR EXEC), you should install and put into production the PTF for DirMaint APAR VM66204 (UV99376 for z/VM 7.1 or UV99376 for z/VM 7.2).
  4. Complete any SERVICE processing, PUT2PROD processing, or both that has been started for this system before upgrading. If you are upgrading a multimember SSI, complete all SERVICE and PUT2PROD processing that has been started for all members of the SSI cluster. Do not start any new service until the upgrade of this member is complete.
  5. If you are upgrading systems that are members of a group that is managed by z/VM CSM:
    - Before upgrading, you must remove member systems from the group (including the principal system, if you are using z/VM CSM to manage the principal), using the following command:

```
servmgr system delete vrm systemname
```

## Step 4. Prepare the system before you start the upgrade process

- Before upgrading any other members of the group, you must first upgrade the group's principal system.

For more information about upgrading a z/VM-CSM-managed environment, see the [z/VM: Service Guide](#).

6. If you are upgrading from z/VM 7.2 to z/VM 7.3, you can use the CHKAPARS utility to find additional service that you might need to install on your z/VM 7.3 system after you have completed your upgrade. For information about how to use the CHKAPARS utility, see the following web page:

[Service for a z/VM System \(https://www.vm.ibm.com/service/\)](https://www.vm.ibm.com/service/)

7. If you are upgrading a non-SSI, a one-member SSI, or the first member of a multimember SSI, the upgrade installation will add the following user IDs to the system. If you have any of the following user IDs already defined on your system, you must rename them.

- If you are upgrading from z/VM 7.1 or 7.2 to z/VM 7.3:

```
MAINT730      7VMPTK30
7VMDIR30      7VMRAC30
7VMHCD30      7VMRSC30
7VMLEN30      7VMTCP30
```

8. If you are upgrading a non-SSI, a one-member SSI, or the first member of a multimember SSI, and your system that is being upgraded has products loaded to the VMPSFS file pool:

- The VMPSFS file pool needs free space to hold the new release files.
  - To determine how much space is available in storage group 1 and storage group 2 for the VMPSFS file pool, enter:

```
query filepool storgrp vmpsfs
```

### - Storage group 1

- Make sure storage group 1 for VMPSFS has enough free space to hold the additional index records for the new data that is being added to VMPSFS. If you are using more than 40% of the space in storage group 1, you should add an additional 50-cylinder minidisk (for FBA, 72000 512 blocks) to storage group 1.

### - Storage group 2

- The amount of free space needed in storage group 2 is determined by which products you have installed to the VMPSFS file pool. To calculate the amount of free space needed in the VMPSFS file pool, use the following table. Total the 4K blocks needed for all of the products that the system being upgraded has loaded to the file pool.
- Make a note of the number of free 4K blocks needed in storage group 2.

Product	4K blocks needed
VM	320000
PERFTK	22000
VMHCD	100000
RACF	42000
DIRM	17000
RSCS	16000
ICKDSF	0
TCPIP	65000

## Step 4. Prepare the system before you start the upgrade process

- If more space is needed in storage group 2, follow the procedures in *z/VM: CMS File Pool Planning, Administration, and Operation* to add additional space to the VMPSFS file pool.

### 9. Complete any directory manager tasks.

- If you are *not* using a directory manager program:
  - Make a backup copy of your user directory file (the default file is USER DIRECT).
  - INSTUPGR will remove sequence numbers from the directory, if they exist.
- If you *are* using a directory manager program:
  - Create and save a flat-file backup of your current user directory.
    - If you are using DirMaint, use the following commands to generate and retrieve the file:

```
dirm backup
dirm send user backup
```

- Check with your software vendor to determine whether your directory manager program provides the upgrade installation exit required for upgrade installation to z/VM 730.
  - DirMaint supplies an installation upgrade exit that is shipped with the z/VM product. No installation of the exit program is needed.
  - CA VM:Secure supplies an installation upgrade exit. Refer to the product documentation for CA VM:Secure for information about installing the required level of the upgrade exit.
- If your directory manager program supplies an installation upgrade exit, refer to the program's documentation for program-specific requirements to use the exit provided.
  - For installation upgrade requirements related to DirMaint, review Appendix C of the *Program Directory for Directory Maintenance Facility for z/VM function level 730*.
  - For installation upgrade requirements related to CA VM:Secure, refer to the Administrators section, *Upgrade z/VM in Place*, of the CA VM:Secure 3.2 documentation at <http://techdocs.broadcom.com>.
- If your directory manager program does *not* supply an installation upgrade exit, you will need to perform one of the following tasks:
  - a. Make the required directory changes yourself during STAGE1 and STAGE2 commit processing.
  - b. Suspend your directory manager temporarily and create a CP user directory file that the upgrade procedure can update with the xedit option.
- Directory changes must be made available (or put online) to all systems immediately.
- If your directory manager has minidisk password checking enabled, you might need to disable it during the upgrade because user IDs will be added to the directory that might have minidisk passwords that are considered trivial.
- If you are using DirMaint as your directory manager, you must have DATAMOV\* servers configured and available.
- If upgrading a non-SSI, a one-member SSI, or the first member of a multimember SSI:
  - The DASD volumes you will use for the release volumes when installing the work system must be included in the control files that define the DASD pool available to the directory manager. This should be done before you begin your upgrade. The default labels for these volumes are:  
730RL1  
730RL2
- The appropriate directory manager control files must be configured so that the directory manager will ignore fullpack minidisk definitions for user IDs MAINT, PMAINT, MAINT710, MAINT720, MAINT730, SYSDUMP1, SYSDMP-1, SYSDMP-2, SYSDMP-3, and SYSDMP-4.

### 10. If you are using an external security manager (ESM) program (such as RACF):

- Make sure the MIGMAINT user ID is authorized to perform security authorizations on behalf of other users.



## Step 4. Prepare the system before you start the upgrade process

- If you are managing SFS with your security manager, MIGMAINT must be authorized to perform all SFS administration functions.
- If your external security manager has minidisk password checking enabled, you might need to disable it during the upgrade because user IDs will be added to the directory that might have minidisk passwords that are considered trivial.
- If you are using RACF Security Server for z/VM:
  - And you share your z/VM RACF database with z/OS, this sharing is no longer supported on z/VM 7.3.0. To create a copy of the z/VM RACF database on a z/VM minidisk, you should follow the instructions in the *z/VM: RACF Security Server System Programmer's Guide*, Chapter 5, "Utilities for the RACF Database", "The RACF Database Split/Merge/Extend Utility Program (IRRUT400)", "Examples of IRRUT400 usage".
  - You should verify the integrity of your RACF database before you begin your upgrade by running the RACF utility RACUT200. If you are upgrading a system that shares its RACF database with SSI members or with non-SSI systems, this only needs to be done for the first system you are upgrading. Instructions for running the RACUT200 utility can be found in Section 6.4, Step 1 of the *Program Directory for RACF Security Server for z/VM, function level 730*. Do not continue to Step 2 in the program directory. Instead, you will run the template conversion utility following Stage 1 of your upgrade to z/VM 730.
  - The default access mode for the RACFVM 200 and RACFVM 300 MDISK statements has changed from MW to MWV. Before you begin the upgrade of your non-SSI system or the only member of an SSI cluster, you must perform the following steps:
    - a. Update the SUBCONFIG entry for RACFVM in the user directory to reflect the new MWV modes.
    - b. Log on to OPERATOR.
    - c. Issue the following commands:

```
force racfvm  
autolog racfvm
```

## **Step 5. Complete Member 1: upgrade installation worksheet 1**

---

1. Print or copy Member 1: upgrade installation worksheets ([Table 12 on page 126](#) through [Table 16 on page 128](#)).
2. If you are installing from a physical DVD, a USB flash drive, or a secure or non-secure FTP server directory, record the path information required to access the DVD drive, USB flash drive, or FTP directory on Member 1: upgrade installation worksheet 1 ([Table 12 on page 126](#)):
  - a. The IP address or host name of the FTP server.
  - b. The user ID and password of the FTP server.
  - c. The DVD, USB, or FTP directory path name for the FTP server.
3. If you are installing from a VM minidisk, on Member 1: upgrade installation worksheet 1 ([Table 12 on page 126](#)), record the VM user ID and address of the VM minidisk where contents of the z/VM Product Package DVDs will be uploaded.

## Step 6. Complete Member 1: upgrade installation worksheet 2

1. Determine the DASD type you will use to install your z/VM work system. Record **3390** or **FBA** on Member 1: upgrade installation worksheet 2 (Table 13 on page 126).
  - The DASD type (3390 or FBA) must match the installation DASD type of the system you are upgrading.
2. Select the DASD size you will use to install your z/VM work system.
  - The DASD size does not have to match the size of the installation DASD on the system you are upgrading.
    - If you are using 3390:
      - Record the size on the **Volume size** line. The size of the volumes must be at least 10016 cylinders.
    - If you are using FBA (SCSI):
      - Record the size on the **Volume size** line. The size of the volumes must be at least 6.0 GB.
3. Select the default password that is to be used for your system and record your choice on Member 1: upgrade installation worksheet 2 (Table 13 on page 126). The default password shipped with the system is WD5JU8QP.

The chosen default password:

- Must adhere to any restrictions set by your security manager
- Must consist of two or more characters
- Must not be a single repeated character
- Must not be left blank
- Must not contain asterisks (\*)
- Must not contain blank spaces
- Must not contain these characters: @ (at sign), # (percent sign), or " (double quotation mark)
- Must not be on the restricted password list:

ACNT	DIRM	MASTER	ROUTER	VSEIPO
AUTOLOG	ECMODE	MDVR	SFBATCH	VSEMAINT
BATCH	IBMCE	OPASS	SSFCAL	
CE	IPCS	OSVS1	SQLDBAPW	
CMSUSER	ISMAINT	PASSWORD	SQLUSER	
CMS2	ITPS	PRODBM	SYSDUMP	
CMS3	IVPASS	PROMAIL	VMAP	
CPCMS	LEV2VM	PSR	VSEIP	

4. Determine the file name, file type, and location of the system configuration file for the system that is being upgraded.
  - a. Record the file name and file type of your system configuration file on Member 1: upgrade installation worksheet 2 (Table 13 on page 126).
  - b. Record the user ID that owns the minidisk and the minidisk address where the file is located on Member 1: upgrade installation worksheet 2 (Table 13 on page 126).

**Note:** The default file name and location of the system configuration file are:

Name: SYSTEM CONFIG

User ID: PMAINT

Minidisk: CF0

5. Determine how the upgrade installation procedure will update the CP user directory.

## Step 6. Complete Member 1: upgrade installation worksheet 2

- a. If you do *not* use a directory manager program to update your CP user directory and instead edit your CP user directory file manually (XEDIT):
    - Record YES on the "Do you edit your CP directory file manually?" line on Member 1: upgrade installation worksheet 2 (Table 13 on page 126) and skip to substep "6" on page 120.
  - b. If you use a directory manager program that supplies an installation upgrade exit:
    - Record NO on the "Do you edit your CP directory file manually?" line on Member 1: upgrade installation worksheet 2 (Table 13 on page 126).
  - c. If you use a directory manager program that does *not* supply an installation upgrade exit, you will need to perform one of the following tasks:
    - i) Use your directory manager to make the directory changes yourself during commit processing.
      - Record NO on the "Do you edit your CP directory file manually?" line on Member 1: upgrade installation worksheet 2 (Table 13 on page 126).
    - ii) Create a CP user directory file that can be updated with the xedit option.
      - Record YES in the "Do you edit your CP directory file manually?" line on Member 1: upgrade installation worksheet 2 (Table 13 on page 126).
      - To create a CP user directory file:
        - Disable the directory manager program so that no updates can be made to the directory.
        - Use your directory manager procedure to create a CMS file that contains the directory (such as USER DIRECT) on a minidisk that is available to MIGMAINT in write mode (such as PMAINT 2CC).
        - The directory file (such as USER DIRECT) must have all of the subconfigs directly following the IDENTITY sections and before any other user or identity starts.
        - No updates can be made to the directory until upgrade is complete.
        - After the upgrade is completed, use your directory manager procedure to replace the updated directory in your directory manager database.
6. If you recorded YES on the "Do you edit your CP directory file manually?" line on Member 1: upgrade installation worksheet 2 (Table 13 on page 126):
- Determine the file name and file type of your user directory file, the minidisk address where it is located, and the user ID that owns the minidisk.

**Note:** The default file name and location of the user directory file are:

    - Name: USER DIRECT
    - User ID: PMAINT
    - Minidisk: 2CC
  - Record the CP directory file information on Member 1: upgrade installation worksheet 2 (Table 13 on page 126).

## Step 7. Complete Member 1: upgrade installation worksheet 3

---

If you are installing your z/VM work system to FBA DASD, skip to [“Step 8. Complete Member 1: upgrade installation worksheet 4”](#) on page 122.

If you are installing your z/VM work system to 3390 DASD, follow these steps:

1. Determine the number of volumes required to install the work system.
  - The minimum size of 3390 work volumes is 10016 cylinders.
  - If the size of your 3390 volumes is equal to or greater than 12300 cylinders:
    - Five volumes are needed.
    - One volume is the permanent release volume.
    - The other four volumes are temporary.
  - If the size of your 3390 volumes is less than 12300 cylinders:
    - Six volumes are needed.
    - Two volumes are the permanent release volumes.
    - The other four volumes are temporary.
2. Record the address for each 3390 volume required in the Address column on Member 1: upgrade installation worksheet 3 ([Table 14 on page 127](#)). If you are changing any of the default installation labels, record the new labels in the New Label column. Disregard any spaces in the worksheet for volumes that you do not need. Note that you must not use any of IBM's default volume labels for a volume other than the volume for which it is originally defined.
  - Volume labels must be 1 to 6 alphanumeric characters.
  - Address 0000 cannot be used for installation.

### Notes:

- a. The volume (default label 730RL1) or volumes (default labels 730RL1 and 730RL2) where the new release code is installed on your z/VM work system will be added to the system that is being upgraded. You should choose volume labels that adhere to any local policies for volume labels for your organization.
- b. If you are upgrading a non-SSI or a one-member SSI, all other volumes used for the work system (COMMON, RES, SPOOL, and PAGE) can be returned to your DASD pool after the upgrade installation of this system is complete.
- c. When upgrading a multimember SSI, the DASD volumes used to install the work system for the first system upgraded must be kept to upgrade the remaining members of the SSI cluster. The release volumes created when the first member is upgraded will become permanent volumes and will be attached to all of the systems that are being upgraded.

## Step 8. Complete Member 1: upgrade installation worksheet 4

---

If you are installing your z/VM work system to 3390 DASD, skip to [“Step 9. Complete Member 1: upgrade installation worksheet 5”](#) on page 123.

If you are installing your work system to FBA (SCSI) volumes, follow these steps.

1. Determine the number of volumes required to install the work system.
  - The minimum size of FBA work volumes is 6.0 GB.
  - If the size of your FBA volumes is equal to or greater than 9 GB:
    - You will need five volumes. You will *not* need the RELVOL2 volume.
      - One volume is the permanent release volume.
      - The other four volumes are temporary.
  - If the size of your FBA volumes is less than 9 GB:
    - If the system you are upgrading has all products loaded to minidisk, you will need six volumes:
      - Two volumes are permanent release volumes.
      - The other four volumes are temporary.
    - If the system you are upgrading has all products loaded to file pool, you will need five volumes. You will *not* need the RELVOL2 volume.
      - One volume is the permanent release volume.
      - The other four volumes are temporary.
    - If the system you are upgrading has some products loaded to minidisk and some products loaded to file pool, you might or might not need the RELVOL2 volume. Based on the size of your installation volumes, the INSTPLAN command (which you will run in [Chapter 14, “Install a z/VM 7.3 work system for your upgrade installation,”](#) on page 147) will indicate whether or not you need RELVOL2.
2. On Member 1: upgrade installation worksheet 4 ([Table 15 on page 127](#)), record the address for each volume in the Address column. If you are changing any of the default installation labels, record the new labels in the New Label column. Note that you must not use any of IBM's default volume labels for a volume other than the volume for which it is originally defined.
  - Volume labels must be 1 to 6 alphanumeric characters.
  - Address 0000 cannot be used for installation.
  - For z/VM installation on FBA: note that z/VM installation supports only emulated FBA on SCSI volumes. Real FBA volumes are not supported.

**Note:** The volume (default label 73ORL1) or volumes (default labels 73ORL1 and 73ORL2) where the new release code is installed on your z/VM work system will be added to the system that is being upgraded. You should choose volume labels that adhere to any local policies for volume labels for your organization. All other volumes used for the work system (COMMON, RES, SPOOL, and PAGE) can be returned to your DASD pool after the upgrade installation of this system is complete.
3. If you are using FBA (SCSI) disks and they are already defined, you need only the addresses of the volumes and can continue to the next substep. If they are not already defined, you need to know the WWPN and LUN address for each disk, as well as the valid FCP address (or addresses) or the channel path (CHPID) to which they belong. Record each LUN and its corresponding WWPN on Member 1: upgrade installation worksheet 4 ([Table 15 on page 127](#)). Also make a note of the valid FCP address (or addresses) or CHPID.

## Step 9. Complete Member 1: upgrade installation worksheet 5

1. Additional space needs to be allocated on the system being upgraded for new and changed minidisks that do not reside on the RELEASE volumes. This space needs to be on volumes that already belong to the system being upgraded, not on the volumes being used to install the work system. Make sure these volumes are attached to the system and are included in the control files for your directory manager (for DirMaint: EXTENT CONTROL).

Some of the space must be defined on volumes that are designated as MEMBER volumes for the system you are upgrading and some of the space must be defined on volumes that are designated as COMMON volumes.

- A MEMBER volume is one that is assigned to and is usually accessible to just one member of an SSI cluster (such as the MEMBER volumes with default labels of M01RES, M01W01, and M01W02). On a non-SSI system, these volumes might also be referred to as SYSTEM volumes.
  - A COMMON volume is one that is shared across an entire SSI cluster. The COMMON volumes that were defined when you installed z/VM have default labels of VMCOM1 and VMCOM2. You might have added additional COMMON (shared) volumes to your cluster.
  - If the system you are upgrading is not a member of an SSI cluster, you should still allocate this new space on volumes that would be considered MEMBER volumes and COMMON volumes in an SSI cluster to minimize rework in case you decide in the future to convert your non-SSI system to a single-member SSI cluster.
2. Space that will be needed to add minidisks on MEMBER volumes is listed in [Table 10 on page 124](#). You must allocate the space for these minidisks on the same type of DASD you used when you installed your z/VM system.

- [Table 10 on page 124](#) lists the user IDs that own the minidisks, the product associated with each user ID, and the minimum amount of space needed on a MEMBER volume.
- Determine where each product was loaded and record an M (for minidisks) or an F (for file pool) in the Location column in Member 1: upgrade installation worksheet 5 ([Table 16 on page 128](#)).
- Use [Table 10 on page 124](#) and the product installation location (M or F) to determine the amount of space needed for each user ID. Record the space needed on Member 1: upgrade installation worksheet 5 ([Table 16 on page 128](#)) in the Minimum column.
- Determine which MEMBER volumes assigned to the system you are upgrading have sufficient contiguous space available to define each user ID's minidisks. All of the user IDs do not need to be on the same MEMBER volume, but all of the space for each user ID must be on one volume and must be contiguous.

**Note:** If there is not enough free space on any of the MEMBER volumes on the system that is being upgraded, you should add a new MEMBER volume to your system before you begin your upgrade. See *z/VM: CP Planning and Administration* for more information about adding additional MEMBER volumes to your system.

- On Member 1: upgrade installation worksheet 5 ([Table 16 on page 128](#)), for each user ID, record the label of the MEMBER volume where that user ID's minidisks should be defined.
  - If you edit your CP user directory file manually, that is, you recorded YES on Member 1: upgrade installation worksheet 2 ([Table 13 on page 126](#)), also record the start and end cylinders or block extents where the user ID's minidisks are to be defined.
    - For 3390, the lowest value for the START cylinder extent is 1.
    - For FBA, the lowest value for the START block extent is 1200.
  - If you use a directory manager product, that is, you recorded NO on Member 1: upgrade installation worksheet 2 ([Table 13 on page 126](#)), the directory manager will define the minidisks on these volumes.
    - You must make sure all member volumes you are using are included in the control files that define the DASD pool for your directory manager product.

## Step 9. Complete Member 1: upgrade installation worksheet 5

- Each volume must have enough contiguous space to define the minidisks assigned to that volume.

<i>Table 10. Minimum space requirements for MEMBER volumes</i>					
MEMBER volumes installing on:		Minimum space needed:			
		3390 (cylinders)		FBA (512K blocks)	
User ID	Product	Product installed in file pool	Product installed on minidisk	Product installed in file pool	Product installed on minidisk
MAINT <sup>1</sup>	VM	800	800	1152000	1152000
GSKADMIN <sup>2</sup>	TCPIP	5	5	7200	7200
CBDIODSP <sup>2</sup>	VMHCD	940	940	1353600	1353600
<sup>1</sup> 7.1 to 7.3 and 7.2 to 7.3 upgrades <sup>2</sup> 7.1 to 7.3 upgrade only					

3. Space that will be needed to add minidisks on COMMON volumes is listed in Table 11 on page 125. You must allocate the space for these minidisks on the same type of DASD you used when you installed your z/VM system.

- Table 11 on page 125 lists the user IDs that own the minidisks, the product associated with each user ID, and the minimum amount of space needed on a COMMON volume.
- Determine where each product was loaded and record an M (for minidisks) or an F (for file pool) in the Location column in Member 1: upgrade installation worksheet 5 (Table 16 on page 128).
- Use Table 11 on page 125 and the product installation location (M or F) to determine the amount of space needed for each user ID, Record the space needed on Member 1: upgrade installation worksheet 5 (Table 16 on page 128) in the Minimum column.
- Determine which COMMON volumes assigned to the system you are upgrading have sufficient contiguous space available to define each user ID's minidisks. All of the user IDs do not need to be on the same COMMON volume, but all of the space for each user ID must be on one volume and must be contiguous.

**Note:** If there is not enough free space on any of the COMMON volumes on the system that is being upgraded, you should add a new COMMON volume to your system before you begin your upgrade. See *z/VM: CP Planning and Administration* for more information about adding additional COMMON volumes to your system.

- On Member 1: upgrade installation worksheet 5 (Table 16 on page 128, for each user ID, record the label of the COMMON volume where that user ID's minidisks should be defined.
  - If you edit your CP user directory file manually, that is, you recorded YES on upgrade installation worksheet 2 (Table 13 on page 126), also record the start and end cylinders or block extents where the user ID's minidisks are to be defined.
    - For 3390, the lowest value for the START cylinder extent is 1.
    - For FBA, the lowest value for the START block extent is 1200.
  - If you use a directory manager product, that is, you recorded NO on Member 1: upgrade installation worksheet 2 (Table 13 on page 126), the directory manager will define the minidisks on these volumes.
    - You must make sure all COMMON volumes you are using are included in the control files that define the DASD pool for your directory manager product.
    - Each volume must have enough contiguous space to define the minidisks assigned to that volume.



<i>Table 11. Minimum space requirements for COMMON volumes</i>					
COMMON volumes installing on:		Minimum space needed:			
		3390 (cylinders)		FBA (512K blocks)	
User ID	Product	Product installed in file pool	Product installed on minidisk	Product installed in file pool	Product installed on minidisk
7VMDIR30 <sup>1</sup>	DirMaint	69	184	99360	264960
7VMLEN30 <sup>1</sup>	VM	653	1127	940320	1622880
MAINTCSM <sup>2</sup>	VM	344	344	495360	495360
<sup>1</sup> 7.1 to 7.3 and 7.2 to 7.3 upgrades <sup>2</sup> 7.1 to 7.3 upgrade only					

**What to do next**

Go to [Chapter 13, “Set up for your upgrade installation,”](#) on page 129.

## Member 1: upgrade installation worksheets

Table 12. Member 1: Upgrade Installation Worksheet 1

IP address or host name: \_\_\_\_\_

FTP server user ID and password: \_\_\_\_\_

DVD, USB, or FTP directory path name: \_\_\_\_\_

VM user ID and address of VM minidisk to upload DVD: \_\_\_\_\_

Table 13. Member 1: Upgrade Installation Worksheet 2

### Current System Information:

Work system DASD type: \_\_\_\_\_

Work system volume size: \_\_\_\_\_

Default password: \_\_\_\_\_

System configuration file:

Name: \_\_\_\_\_ User ID: \_\_\_\_\_ Address: \_\_\_\_\_

Do you edit your CP directory file manually? \_\_\_\_\_

If **yes**, CP directory file:

Name: \_\_\_\_\_ User ID: \_\_\_\_\_ Address: \_\_\_\_\_

Table 14. Member 1: Upgrade Installation Worksheet 3 (3390 Only)

**Installation Volumes for z/VM Work System (3390):**

Volume Type	Default Label	New Label	Address
COMMON	IBMCM1		
RELVOL	730RL1		
RELVOL2*	730RL2		
RES	IBMRES		
SPOOL	IBMS01		
PAGE	IBMP01		

\* Depending on your planning choices, you might or might not need this volume.

**Note:** You must *not* use any of IBM's default volume labels for a volume other than the volume for which it is originally defined.

Table 15. Member 1: Upgrade Installation Worksheet 4 (FBA Only)

**Installation Volumes for z/VM Work System (FBA):**

Volume Type	Default Label	New Label	Address	FCP Address	WWPN	LUN
COMMON	IBMCM1					
RELVOL	730RL1					
RELVOL2*	730RL2					
RES	IBMRES					
SPOOL	IBMS01					
PAGE	IBMP01					

Channel path (CHPID): \_\_\_\_\_

Valid FCP addresses: \_\_\_\_\_

\* Depending on your planning choices, you might or might not need this volume.

**Note:** You must *not* use any of IBM's default volume labels for a volume other than the volume for which it is originally defined.

*Table 16. Member 1: Upgrade Installation Worksheet 5*

**Additional Space Needed on Current System:**

Space is needed in your existing environment to create minidisks for the following user IDs:

**MEMBER volume(s):**

User ID	Product	Location (M/F)	Minimum	Label	Start	End
MAINT <sup>1</sup>	VM					
GSKADMIN <sup>2</sup>	TCPIP					
CBDIODSP <sup>2</sup>	VMHCD					

**COMMON volume(s):**

User ID	Product	Location (M/F)	Minimum	Label	Start	End
7VMDIR30 <sup>1</sup>	DirMaint					
7VMLEN30 <sup>1</sup>	VM					
MAINTCSM <sup>2</sup>	VM					

<sup>1</sup> 7.1 to 7.3 and 7.2 to 7.3 upgrades

<sup>2</sup> 7.1 to 7.3 upgrade only

---

## Chapter 13. Set up for your upgrade installation

### In this chapter, you will:

- Set up the environment for an upgrade installation.

Choose your next step based on which source you will use to perform your installation.

<b>If you chose to install from:</b>	<b>Go to:</b>
A physical DVD or a USB flash drive...	<a href="#">“Step 1. Set up to install from a DVD or USB flash drive” on page 130</a>
An FTP server directory...	<a href="#">“Step 2. Set up to install from an FTP server directory” on page 134</a>
A VM minidisk...	<a href="#">“Step 3. Set up to install from a VM minidisk” on page 138</a>

## Step 1. Set up to install from a DVD or USB flash drive

**Before you begin:** You should have completed worksheets 1 through 5 in “Member 1: upgrade installation worksheets” on page 126). If you have not done so, return to [Chapter 12, “Plan your non-SSI, one-member SSI, or Member 1 upgrade installation,”](#) on page 105.

1. Do one of the following:
  - a. Load the z/VM Product Package for installation on *type* - DISC 1 in the DVD drive of the FTP server you are using for installation, where *type* is the DASD type you selected to use to install: 3390 or SCSI (FBA). Wait until the light goes out or stops blinking to continue.
  - b. Put the USB flash drive into the USB port that can be accessed by your FTP server.
2. Log on to the MIGMAINT user ID on the system being upgraded. Make sure the user ID meets the MIGMAINT user ID requirements in substep “4” on [page 108](#).
3. Spool the console to make sure it is empty, started, and spooled to the reader.

```
spool console close start *
RDR FILE filenum SENT FROM userid CON WAS nnnn RECS nnnn CPY nnn T NOHOLD NOKEEP
Ready;
```

4. Verify that you have a 2222 read/write minidisk with exactly 10 cylinders if installing to 3390 or 14400 512-KB blocks if installing to FBA.

```
query v 2222
DASD 2222 3390 xxxxxxx R/W          10 CYL ON DASD nnnn SUBCHANNEL = nnnn
Ready; T=n.nn/n.nn hh:mm:ss
```

5. Verify that INSTPIPE MODULE exists in your search order.

```
listfile instpipe module *
INSTPIPE MODULE fm
```

If you receive:

```
DMSLST002E file not found
```

access the disk that contains the INSTPIPE MODULE.

**Note:** The INSTPIPE MODULE was shipped on the MAINT 193 minidisk.

6. Copy the files needed to run **DVDPRIME** from the DVD to the 2222 minidisk.
  - a. Run **INSTPIPE**.

```
instpipe
Ready; T=n.nn/n.nn hh:mm:ss
```

- b. Copy the files from the DVD to the 2222 minidisk.

**Note:** The information for *host*, *userid*, *password*, and *ftpdir* was recorded in upgrade installation worksheet 1 ([Table 12 on page 126](#)).

```
pipe ftpget -h host -u userid -p password -d ftpdir/CPDVD
-v BEF -DVDEOF -f ddd222* |UNPACK| restcmd 2222
```

## Step 1. Set up to install from a DVD or USB flash drive

### **host**

The IP address or FTP host name. Host names must begin with a letter and contain alphanumeric characters (A-Z, a-z, 0-9) or hyphens (-) only (MyOrg-VM01, for example).

Specify an IP address in dotted-decimal form for your IPv4 interface (129.42.16.99, for example).

### **userid**

The user ID that is used to log on to the FTP server. The maximum length is 40 alphanumeric characters.

### **password**

The password that is used to log on to the FTP server. The maximum length is 40 alphanumeric characters.

### **ftpd**

The path to the DVD drive or USB flash drive with /CPDVD appended to the end of the path. The maximum length is 40 characters. For example:

```
mydvddrive/CPDVD
cpdvd
e:/cpdvd
vmftpd/CPDVD
```

### **ddd**

CKD (for 3390) or FBA (for FBA), which must be specified in uppercase.

### **restcmd**

ECKDREST (for 3390) or MDREST (for FBA).

**Note:** In the **pipe** command shown previously, you can use a different stage separator by including the **stagesep** keyword. For example:

```
pipe ( stagesep ! ) ftpget -h host
-u userid -p password
-d ftpdir/CPDVD -v BEF -DVDEOF
-f ddd222* !UNPACK! restcmd 222
```

```
{FBA222*|CKD222*}
```

```
DMSRXS1408W File TCPIP DATA * not
found
```

You might not receive this message.

```
{MDREST|ECKDREST}: WROTE nnn {BLOCKS|TRACKS} ON 2222, RC=0
Ready; T=n.nn/n.nn hh:mm:ss
```

7. IPL CMS to remove the old INSTPIPE MODULE from storage.

## Step 1. Set up to install from a DVD or USB flash drive

```
ipl cms
:
ENTER
Ready; T=n.nn/n.nn hh:mm:ss
```

8. Access the 2222 minidisk as file mode C.

```
access 2222 c
Ready; T=n.nn/n.nn hh:mm:ss
```

9. Verify that the first occurrence of the INSTPIPE MODULE is on the minidisk accessed as file mode C. Remove or rename all other copies.

```
listfile instpipe module *
INSTPIPE MODULE C1
Ready; T=n.nn/n.nn hh:mm:ss
```

10. Run **DVDPRIME** with the *dasdtype* you are using to install.

```
dvdprime dasdtype (dvd
```

*dasdtype*  
**3390** or **FBA**.

```
IUGDVP8327I ** Now executing DVDPRIME on date at time **
```

11. Complete the DVDPRIME panel by filling in the information for your FTP server.

**Note:** The information for **HOSTNAME OR IP ADDRESS**, **FTP USERID**, **FTP PASSWORD**, and **DVD PATHNAME** was recorded in upgrade installation worksheet 1 ([Table 12 on page 126](#)).

```
*** DVDPRIME PANEL ***

Enter information in empty fields and press F5 to process.

HOSTNAME OR IP ADDRESS:  _____
FTP USERID:              _____
FTP PASSWORD:            _____
DVD PATHNAME:            _____
PORT NUMBER:              21_____

F1 = HELP   F3/F12 = QUIT   F5 = Process   ENTER = Refresh
```

Figure 9. DVDPRIME Panel

### **HOSTNAME OR IP ADDRESS:**

The IP address or host name of your FTP server. Host names must begin with a letter and contain alphanumeric characters (A-Z, a-z, 0-9) or hyphens (-) only (MyOrg-VM01, for example).

Specify an IP address in dotted-decimal form for your IPv4 interface. (129.42.16.99, for example).

### **FTP USERID:**

The user ID that is used to log on to the FTP server. The maximum length is 40 alphanumeric characters.

### **FTP PASSWORD:**

The password that is used to log on to the FTP server. The maximum length is 40 alphanumeric characters.

### **DVD PATHNAME:**

The path to the DVD drive or USB flash drive (according to the conventions used by your server), with /CPDVD appended to the end of the path. The maximum length is 40 characters. This



should be the same path name used on the **ftpget** command in substep “6” on page 130. The maximum length is 40 characters. For example:

```
mydvdrive/CPDVD  
cpdvd  
e:/cpdvd  
vmftpdir/CPDVD
```

### PORT NUMBER:

The FTP server's port number. The default port number is 21.

12. Press F5 to process.

```
F5  
  
IUGDVP8440I Now loading 24CC disk  
{FBA222*|CKD222*}  
  
{MDREST|ECKDREST}: WROTE nnnn {BLOCKS|TRACKS} ON 24CC, RC=0  
  
Now loading 2CF0 disk  
{FBACF0*|CKDCF0*}  
  
{MDREST|ECKDREST}: WROTE nnnn {BLOCKS|TRACKS} ON 2CF0, RC=0  
  
IUGDVP8392I DVDPRIME EXEC ended successfully  
Ready; T=n.nn/n.nn hh:mm:ss
```

### What to do next

Go to [Chapter 14, “Install a z/VM 7.3 work system for your upgrade installation,”](#) on page 147.

## Step 2. Set up to install from an FTP server directory

**Before you begin:** You should have completed worksheets 1 through 5 in “Member 1: upgrade installation worksheets” on page 126). If you have not done so, return to [Chapter 12, “Plan your non-SSI, one-member SSI, or Member 1 upgrade installation,”](#) on page 105.

The RSU that is shipped as part of the z/VM product will be installed during the upgrade process. Do not attempt to skip installing the RSU during upgrade. If additional service is required, install the additional service after the upgrade of this member is complete (after you have completed [Chapter 21, “Finish your upgrade installation,”](#) on page 191).

1. Upload the contents of each DVD or electronic deliverable to the directory. After the contents of DISC 1 of the z/VM Product Package installation media have been uploaded, upload the contents of DISC 2 of the z/VM Product Package installation media to the same directory, overwriting any duplicate files.
  - a. Create a new directory on the FTP server. The maximum length of the directory path name is 40 characters. The FTP server will need at least 6 GB of free space.
  - b. Load the contents of DISC 1 and DISC 2 of the z/VM Product Package installation media to the directory. When copying the files, make sure the case is preserved.
2. Log on to the MIGMAINT user ID on the system being upgraded. MIGMAINT user ID requirements in substep “4” on page 108.
3. Spool the console to make sure it is empty, started, and spooled to the reader.

```
spool console close start *
RDR FILE filenum SENT FROM userid CON WAS nnnn RECS nnnn CPY nnn T NOHOLD NOKEEP
Ready;
```

4. Verify that you have a 2222 read/write minidisk with exactly 10 cylinders if installing to 3390 or 14400 512-KB blocks if installing to FBA.

```
query v 2222
DASD 2222 3390 xxxxxxx R/W          10 CYL ON DASD nnnn SUBCHANNEL = nnnn
Ready; T=n.nn/n.nn hh:mm:ss
```

5. Verify that INSTPIPE MODULE exists in your search order.

```
listfile instpipe module *
INSTPIPE MODULE fm
```

If you receive:

```
DMSLST002E file not found
```

access the disk that contains the INSTPIPE MODULE.

**Note:** The INSTPIPE MODULE was shipped on the MAINT 193 minidisk.

6. Copy the files needed to run **DVDPRIME** to the 2222 minidisk from the FTP server.
  - a. Run **INSTPIPE**.

```
instpipe
Ready; T=n.nn/n.nn hh:mm:ss
```

- b. Copy the files from the FTP server to the 2222 minidisk.

**Note:** The information for *host*, *userid*, *password*, and *ftpdire* was recorded in upgrade installation worksheet 1 ([Table 12 on page 126](#)).

## Step 2. Set up to install from an FTP server directory

```
pipe ftpget -h host -u userid -p password -d ftpdir  
-v BEF -DVDEOF -f ddd222* |UNPACK| restcmd 2222
```

### **host**

The IP address or FTP host name. Host names must begin with a letter and contain alphanumeric characters (A-Z, a-z, 0-9) or hyphens (-) only (MyOrg-VM01, for example).

Specify an IP address in dotted-decimal form for your IPv4 interface (129.42.16.99, for example).

### **userid**

The user ID that is used to log on to the FTP server. The maximum length is 40 alphanumeric characters.

### **password**

The password that is used to log on to the FTP server. The maximum length is 40 alphanumeric characters.

### **ftpdir**

The path to the FTP server directory where you loaded the contents of the z/VM product deliverables in substep “1” on page 134. The maximum length is 40 characters.

### **ddd**

CKD (for 3390) or FBA (for FBA), which must be specified in uppercase.

### **restcmd**

ECKDREST (for 3390) or MDREST (for FBA).

**Note:** In the **pipe** command shown previously, you can use a different stage separator by including the **stagesep** keyword. For example:

```
pipe ( stagesep ! ) ftpget -h host  
-u userid -p password  
-d ftpdir -v BEF -DVDEOF  
-f ddd222* !UNPACK! restcmd 2222
```

```
{FBA222*|CKD222*}
```

```
DMSRXS1408W File TCPIP DATA * not  
found
```

You might not receive this message.

```
{MDREST|ECKDREST}: WROTE nnn {BLOCKS|TRACKS} ON 2222, RC=0  
Ready; T=n.nn/n.nn hh:mm:ss
```

7. IPL CMS to remove the old INSTPIPE MODULE from storage.

## Step 2. Set up to install from an FTP server directory

```
ipl cms
...
ENTER
Ready; T=n.nn/n.nn hh:mm:ss
```

8. Access the 2222 minidisk as file mode C.

```
access 2222 c
Ready; T=n.nn/n.nn hh:mm:ss
```

9. Verify that the first occurrence of the INSTPIPE MODULE is on the minidisk accessed as file mode C. Remove or rename all other copies.

```
listfile instpipe module *
INSTPIPE MODULE C1
Ready; T=n.nn/n.nn hh:mm:ss
```

10. Run DVDPRIME with the *dasdtype* you are using to install.

```
dvdprime dasdtype (server dasdtype
3390 or FBA.
```

```
IUGDVP8327I ** Now executing DVDPRIME on date at time **
```

11. Complete the DVDPRIME panel by filling in the information for your FTP server.

**Note:** The information for HOSTNAME OR IP ADDRESS, FTP USERID, FTP PASSWORD, and DVD PATHNAME was recorded in upgrade installation worksheet 1 ([Table 12 on page 126](#)).

```
*** DVDPRIME PANEL ***

Enter information in empty fields and press F5 to process.

HOSTNAME OR IP ADDRESS:  _____
FTP USERID:              _____
FTP PASSWORD:            _____
DVD PATHNAME:            _____
PORT NUMBER:              21_____

F1 = HELP   F3/F12 = QUIT   F5 = Process   ENTER = Refresh
```

Figure 10. DVDPRIME Panel

### HOSTNAME OR IP ADDRESS:

The IP address or host name of your FTP server. A host name must begin with a letter and can contain alphanumeric characters (A-Z, a-z, 0-9) or hyphens (-) only (MyOrg-VM01, for example).

Specify an IP address in dotted-decimal form for your IPv4 interface (129.42.16.99, for example).

### FTP USERID:

The user ID that is used to log on to the FTP server. The maximum length is 40 alphanumeric characters.

### FTP PASSWORD:

The password that is used to log on to the FTP server. The maximum length is 40 alphanumeric characters.

### DVD PATHNAME:

The path to the FTP server directory according to the conventions used by your server. The maximum length is 40 characters. For example:

```
mydvddrive/ftpdir  
e:/dirname  
vmftpdir
```

### PORT NUMBER:

The FTP server's port number. The default port number is 21.

12. Press F5 to process.

**F5**

```
IUGDVP8440I Now loading 24CC disk  
{FBA222*|CKD222*}  
  
{MDREST|ECKDREST}: WROTE nnnn {BLOCKS|TRACKS} ON 24CC, RC=0  
  
Now loading 2CF0 disk  
{FBACF0*|CKDCF0*}  
  
{MDREST|ECKDREST}: WROTE nnnn {BLOCKS|TRACKS} ON 2CF0, RC=0  
  
IUGDVP8392I DVDPRIME EXEC ended successfully  
Ready; T=n.nn/n.nn hh:mm:ss
```

## What to do next

Go to [Chapter 14, “Install a z/VM 7.3 work system for your upgrade installation,”](#) on page 147.

## Step 3. Set up to install from a VM minidisk

**Before you begin:** You should have completed worksheets 1 through 5 in “Member 1: upgrade installation worksheets” on page 126). If you have not done so, return to [Chapter 12, “Plan your non-SSI, one-member SSI, or Member 1 upgrade installation,”](#) on page 105.

The RSU that is shipped as part of the z/VM product will be installed during the upgrade process. Do not attempt to skip installing the RSU during upgrade. If additional service is required, install the additional service after the upgrade of this member is complete (after you have completed [Chapter 21, “Finish your upgrade installation,”](#) on page 191).

1. Log on to the MIGMAINT user ID on the system being upgraded. Make sure the user ID meets the MIGMAINT user ID requirements in substep “4” on page 108.
2. If you have already loaded the files from the z/VM product deliverables to a minidisk, link and access that minidisk as file mode W and skip to step “16” on page 143.
3. Link to the VM minidisk where you will load the files from the z/VM product deliverables. The VM minidisk needs to have the equivalent of at least 8000 cylinders of available 3390 DASD space. The minidisk must not contain any other files with filetype IMAGE. You must link the minidisk in write mode.

**Note:** The information for *userid* and *diskaddr* was recorded in upgrade installation worksheet 1 ([Table 12 on page 126](#)).

```
link userid diskaddr diskaddr MR
Ready; T=n.nn/n.nn hh:mm:ss
```

4. Access the VM minidisk as file mode W.

```
access diskaddr w
Ready; T=n.nn/n.nn hh:mm:ss
```

**diskaddr**

Address of the CMS-formatted VM minidisk where the files from the z/VM product deliverables are to be copied.

5. Link to the 592 TCP/IP client code minidisk.

```
link tcpmaint 592 592 rr
Ready; T=n.nn/n.nn hh:mm:ss
```

6. Access the 592 TCP/IP client code minidisk as file mode Z.

```
access 592 z
Ready; T=n.nn/n.nn hh:mm:ss
```

7. Set the terminal to alert you one second after CP issues the MORE . . . status and to clear one second after the alert.

```
terminal more 1 1
Ready;
```

8. Copy the contents of the DISC 1 and DISC 2 of the z/VM Product Package installation media (DVDs or electronic envelopes) to the VM minidisk accessed as file mode W.

**Notes:**

- If you are using an FTP server running on your VM system, use the instructions in [Appendix K, “Using a z/VM FTP server to receive and load files to a z/VM minidisk,”](#) on page 283. After loading the files, continue with substep “16” on page 143.

- If you do not have any FTP server, you can use the upload function of your terminal emulator to load the files to the minidisk. See [Appendix J, “Using a terminal emulator to upload files,”](#) on page 281. After uploading the files using your terminal emulator, continue with substep “16” on page 143.
- If you are using an FTP server running on a workstation, continue with this substep.

If you have copied the contents of DISC 1 and DISC 2 to a directory on the hard drive of your workstation (or to a USB flash drive accessible to the FTP server), continue with this substep and substeps “9” on page 140 through “11” on page 141. Skip substeps “12” on page 141 through “15” on page 143. When verifying the number of files that were uploaded to the VM minidisk (substep “10” on page 140), you should add the number of files listed in 730PROD1.DVDIMAGE and 730PROD2.DVDIMAGE and then compare that sum to the number of files listed in the `Size=nnnn` field.

Note that wherever the DVD path is referenced, if necessary, you can substitute the path to the workstation hard drive where you have loaded the contents of DISC 1 and DISC 2.

- If installing from a physical DVD, load DISC 1 of the z/VM Product Package installation media in the DVD drive of the FTP server you are using for installation. Wait until the light on the DVD drive goes out or stops blinking before continuing.
- Start an FTP session.

```
ftp
VM TCP/IP FTP Level nnn
```

- Connect to the FTP server. Enter the FTP server IP address or host name (*host*), the user ID used to log on to the FTP server (*userid*), and the password for the user ID used to log on to the FTP server (*password*).

**Note:** The information for *host*, *userid*, *password*, and *ftpd* was recorded in upgrade installation worksheet 1 ([Table 12 on page 126](#)).

```
OPEN (name of foreign host):
host

Connecting to host
220 FTP Server ready...
USER (identify yourself to the host):
userid

>>>USER userid
331 User name okay, need password.
Password:
password

>>>PASS *****
230 User logged in, proceed
```

- Change the remote directory to the FTP path of the DVD drive or FTP server (*ftpd*). If loading from a physical DVD, append **/CPDVD** to the end of the path (for example: **e:/CPDVD**).

```
Command:
cd ftpdir/CPDVD

>>>CWD ftpdir/CPDVD
250 Directory changed to ftpdir/CPDVD
```

- Change the local directory to W.

```
Command:
lcd w

Local directory mode is 'W'
```

- Set the file transfer mode to binary, the record format to fixed, and the record length to 1028.

### Step 3. Set up to install from a VM minidisk

```
Command:
binary f 1028

>>>TYPE i
200 Type set to I.
Command:
```

- g. Copy all required files from DISC 1 of the z/VM Product Package installation media.

```
mget ddd*
```

**ddd**

**CKD** for 3390 or **FBA** for FBA (SCSI), which must be entered in uppercase.

```
>>>TYPE a
200 Type set to A
>>>PORT host
200 PORT Command successful.
>>>NLST ddd*
150 Opening ASCII mode data connection for /bin/ls.
226 Transfer complete.
>>>TYPE i
200 Type set to I.
>>>PORT host
200 PORT Command successful.
>>>RETR dddnnnn
150 Opening BINARY mode data connection for dddnnnnn (nnnnnn Bytes).
nnnnnn bytes transferred.
226 Transfer complete.
nnnnnn bytes transferred in nn.nnn seconds. Transfer rate nnn.nn Kbytes/sec.
:
```

- h. When all files have been transferred, quit the FTP session.

```
Command:
quit

>>>QUIT
221 Goodbye!
Ready;
```

9. Verify that all of the files copied from DISC 1 of the z/VM Product Package installation media have a fixed (F) file format and a logical record length (LRECL) of 1028.

If the file format or logical record length of any file is incorrect, the files were copied incorrectly. Erase all of the files from the minidisk and copy the contents of DISC 1 of the z/VM Product Package installation media again, using the correct parameters. Repeat substep “8” on page 138.

```
filelist * $default w
```

Cmd	Filename	Filetype	Fm	Format	Lrecl	Records	Blocks	Date	Time
:	xxx22200	\$DEFAULT	W1	F	1028	nnnn	nnn	ddd	tttt

10. Verify that all of the files were copied from DISC 1 of the z/VM Product Package installation media.

```
filelist * $default w
```

userid	FILELIST	W0	V	169	Trunc=169	Size=nnnn	Line=1	Col=1	Alt=0	Cmd	Filename	Filetype	Fm	Format	Lrecl	Records	Blocks	Date	Time
:	xxx22200	\$DEFAULT	W1	F	1028	nnnn	nnn	ddd	tttt										

In the **Size=nnnn** field, *nnnn* is the number of \$DEFAULT files on the minidisk. DISC 1 of the z/VM Product Package installation media contains the 730PROD1 DVDIMAGE file, which lists the number of image files that should have been copied.



Verify that the numbers are the same. If the numbers are not the same, there are files missing. In this case, you can do one of the following:

- a. Copy the missing files.
  - i) Determine which files are missing. The 730PROD1 DVDIMAGE file contains a list of all of the files that should have been copied.
  - ii) Copy each of the the missing files from DISC 1 of the z/VM Product Package installation media by repeating substep “8” on page 138, replacing:

```
mget ddd*
```

with:

```
get filename filename.$default
```

- b. Copy the contents of DISC 1 of the z/VM Product Package installation media again by repeating substep “8” on page 138.
11. The FTP MGET command copied the files with a file type of \$DEFAULT. The file type needs to be renamed to IMAGE.

```
rename * $default w = image =  
Ready;
```

12. Copy the contents of DISC 2 of the z/VM Product Package installation media to the same VM minidisk used for the DISC 1 of the z/VM Product Package installation media.
  - a. If installing from a physical DVD, load DISC 2 of the z/VM Product Package installation media in the DVD drive of the FTP server you are using for installation. Wait until the light on the DVD drive goes out or stops blinking before continuing.
  - b. Start an FTP session:

```
ftp  
VM TCP/IP FTP Level nnn
```

- c. Connect to the FTP server. Enter the FTP server's IP address or host name (*host*), the user ID used to log on to the FTP server (*userid*), and the password for the user ID used to log on to the FTP server (*password*).

**Note:** The information for *host*, *userid*, *password*, and *ftpd* was recorded in upgrade installation worksheet 1 (Table 12 on page 126).

```
OPEN (name of foreign host):  
host  
  
Connecting to host  
220 FTP Server ready...  
USER (identify yourself to the host):  
userid  
  
>>>USER userid  
331 User name okay, need password.  
Password:  
password  
  
>>>PASS *****  
230 User logged in, proceed
```

- d. Change the remote directory to the FTP path of the DVD drive or FTP server (*ftpd*). If loading from a physical DVD, append /CPDVD to the end of the path (e: /CPDVD, for example).

```
Command:  
cd ftpdir/CPDVD  
  
>>>CWD ftpdir/CPDVD  
250 Directory changed to ftpdir/CPDVD
```

- e. Change the local directory to W.

### Step 3. Set up to install from a VM minidisk

```
Command:
lcd w

Local directory mode is 'W'
```

- f. Set the file transfer mode to binary, the record format to fixed, and the record length to 1028.

```
Command:
binary f 1028

>>>TYPE i
200 Type set to I.
Command:
```

- g. Copy all required files from DISC 2 of the z/VM Product Package installation media.

```
mget ddd* (replace
```

```
ddd
```

**CKD** for 3390 or **FBA** for FBA (SCSI), which must be entered in uppercase.

```
>>>TYPE a
200 Type set to A
>>>PORT host
200 PORT Command successful.
>>>NLST ddd*
150 Opening ASCII mode data connection for /bin/ls.
226 Transfer complete.
>>>TYPE i
200 Type set to I.
>>>PORT host
200 PORT Command successful.
>>>RETR dddnnnnn
150 Opening BINARY mode data connection for dddnnnnn (nnnnnnn Bytes).
nnnnnnn bytes transferred.
226 Transfer complete.
nnnnnnn bytes transferred in nn.nnn seconds. Transfer rate nnn.nn Kbytes/sec.
:
```

- h. When all files have been transferred, quit the FTP session.

```
Command:
quit

>>>QUIT
221 Goodbye!
Ready;
```

13. Verify that all of the files copied from DISC 2 of the z/VM Product Package installation media have a fixed (F) file format and a logical record length (LRECL) of 1028.

If the file format or logical record length of any file is incorrect, the files were copied incorrectly. Erase all of the new \$DEFAULT files from the minidisk and copy the contents of DISC 2 of the z/VM Product Package installation media again, using the correct parameters. Repeat substep “12” on page 141.

```
filelist * $default w
```

Cmd	Filename	Filetype	Fm	Format	Lrecl	Records	Blocks	Date	Time
:	xxx50000	\$DEFAULT	W1	F	1028	nnnn	nnn	dddd	tttt

14. Verify that all of the files were copied from DISC 2 of the z/VM Product Package installation media.

```
filelist * $default w
```

```
userid FILELIST W0 V 169 Trunc=169 Size=nnnn Line=1 Col=1 Alt=0
Cmd Filename Filetype Fm Format Lrecl Records Blocks Date Time
: xxx50000 $DEFAULT W1 F 1028 nnnn nnn dddd tttt
:
```

In the **Size=nnnn** field, *nnnn* is the number of \$DEFAULT files from DISC 2 of the z/VM Product Package installation media on the minidisk. DISC 2 contains the 730PROD2 DVDIMAGE file, which lists the number of image files that should have been copied.

Verify that the numbers are the same. If the numbers are not the same, there are files missing. In this case, you can do one of the following:

a. Copy the missing files.

i) Determine which files are missing. The 730PROD2 DVDIMAGE file contains a list of all of the files that should have been copied.

ii) Copy each of the the missing files from DISC 2 of the z/VM Product Package installation media by repeating substep “12” on page 141, replacing:

```
mget ddd* (replace
```

with:

```
get filename filename.$default
```

b. Copy the contents of DISC 2 of the z/VM Product Package installation media again by repeating substep “12” on page 141.

15. The FTP MGET command copied the files with a file type of \$DEFAULT. The file type needs to be renamed to IMAGE.

```
rename * $default w = image =
Ready;
```

16. Set the terminal to alert you 50 seconds after CP issues the MORE . . . status and to clear 10 seconds after the alert.

```
terminal more 50 10
Ready;
```

17. Spool the console to make sure it is empty, started, and spooled to the reader.

```
spool console close start *
RDR FILE filename SENT FROM userid CON WAS nnnn RECS nnnn CPY nnn T NOHOLD NOKEEP
Ready;
```

18. Verify that you have a 2222 read/write minidisk of exactly 10 cylinders if installing to 3390 or 14400 512-KB blocks if installing to FBA.

```
query v 2222
DASD 2222 3390 xxxxxxx R/W 10 CYL ON DASD nnnn SUBCHANNEL = nnnn
Ready; T=n.nn/n.nn hh:mm:ss
```

19. Verify that INSTPIPE MODULE exists in your search order.

```
listfile instpipe module *
INSTPIPE MODULE fm
```

If you receive:

```
DMSLST002E file not found
```

access the disk that contains the INSTPIPE MODULE.

### Step 3. Set up to install from a VM minidisk

**Note:** The INSTPIPE MODULE was shipped on the MAINT 193 minidisk.

20. Copy the files needed to run **DVDPRIME** to the 2222 minidisk.

a. Run INSTPIPE.

```
instpipe
Ready; T=n.nn/n.nn hh:mm:ss
```

b. Decode, unpack, and write the files needed to run **DVDPRIME** to the 2222 minidisk.

```
pipe dvddecod ddd222 image w |UNPACK| restcmd 2222
{MDREST|ECKDREST}: WROTE nnn {BLOCKS|TRACKS} ON 2222, RC=0
Ready; T=n.nn/n.nn hh:mm:ss
```

#### **ddd**

CKD for 3390 or FBA for FBA (SCSI), which must be entered in uppercase.

#### **restcmd**

ECKDREST (for 3390) or MDREST (for FBA).

**Note:** In the **pipe** command shown previously, you can use a different stage separator by including the **stagesep** keyword. For example:

```
pipe ( stagesep ! ) dvddecod ddd222
image w !UNPACK! restcmd 2222
```

21. IPL CMS to remove the old INSTPIPE MODULE from storage.

```
ipl cms
:
ENTER
Ready; T=n.nn/n.nn hh:mm:ss
```

22. Access the minidisk that contains the image files as file mode W.

```
access diskaddr w
Ready; T=n.nn/n.nn hh:mm:ss
```

#### **diskaddr**

Address of the minidisk where the image files were copied.

23. Access the 2222 minidisk as file mode C.

```
access 2222 c
Ready; T=n.nn/n.nn hh:mm:ss
```

24. Verify that the first occurrence of the INSTPIPE MODULE is on the minidisk accessed as file mode C. Remove or rename all other copies.

```
listfile instpipe module *
INSTPIPE MODULE C1
Ready; T=n.nn/n.nn hh:mm:ss
```

25. Run **DVDPRIME** with the *dasdtype* you are using to install.

```
dvdprime dasdtype (disk
```

#### **dasdtype**

3390 or FBA.

```
IUGDVP8327I ** Now executing DVDPRIME on date at time **  
IUGDVP8440I Now loading 24CC disk  
  
{MDREST|ECKDREST}: WROTE nnnn {BLOCKS|TRACKS} ON 24CC, RC=0  
Now loading 2CF0 disk  
  
{MDREST|ECKDREST}: WROTE nnnn {BLOCKS|TRACKS} ON 2CF0, RC=0  
IUGDVP8392I DVDPRIME EXEC ended successfully  
Ready; T=n.nn/n.nn hh:mm:ss
```

#### What to do next

Go to [Chapter 14, “Install a z/VM 7.3 work system for your upgrade installation,”](#) on page 147.

### Step 3. Set up to install from a VM minidisk

---

## Chapter 14. Install a z/VM 7.3 work system for your upgrade installation

### **In this chapter, you will:**

- Run INSTPLAN.
- Verify your upgrade installation volumes.
- Run INSTALL.

## Step 1. Run INSTPLAN

**Before you begin:** You should have completed worksheets 1 through 5 in “Member 1: upgrade installation worksheets” on page 126). If you have not done so, return to Chapter 12, “Plan your non-SSI, one-member SSI, or Member 1 upgrade installation,” on page 105.

1. From the MIGMAINT user ID, verify that the installation tools minidisk, 24CC, is accessed as C:

```
query disk c
LABEL VDEV M ...
MNTxxx 24CC C ...
Ready; T=n.nn/n.nn hh:mm:ss
```

2. If you are installing to FBA (SCSI) volumes, see upgrade installation worksheet 4 (Table 15 on page 127) and query each address to verify it is not already defined for a different device (see example below). If the address is already in use, either detach the device or choose a different *dasdaddr* and verify that address does not exist.

For each address:

```
query voladdr
HCPQVD040E Device voladdr does not exist
Ready(00040);
```

Record any changed addresses in the **Address** column in upgrade installation worksheet 4 (Table 15 on page 127).

3. Run INSTPLAN with the UPGRADE operand.

```
instplan upgrade
```

The installation planning panels are displayed.

```

*** z/VM UPGRADE - EXISTING ENVIRONMENT INFORMATION ***
System Type: type      System/Member Name: name      Cluster Name: name

Members in this cluster:
SLOT #    MEMBER NAME    RELEASE LEVEL
-----
  1      Member1        vrm
  2      Member2        vrm
  3      Member3        vrm
  4      Member4        vrm

Common Service Filepool Name: fpname

Current z/VM Product Information for name:
COMPONENT LOCATION  ENABLEMENT      COMPONENT LOCATION  ENABLEMENT
-----
VM           Minidisk        DIRM             Filepool1           ENABLED
ICKDSF       Filepool1
RACF         Filepool1      ENABLED          RSCS                 Filepool1           ENABLED
TCP/IP       Filepool1
VMHCD       Filepool1

F1 = HELP      F3/12 = QUIT    F5 = Process      ENTER = Refresh

```

Figure 11. z/VM Upgrade - Existing Environment Information Panel

The Existing Environment Information panel is displayed. Review this information to verify that this is the system you intend to upgrade.



- a. The system type is SSI or Non-SSI. If the system being that is upgraded is a member of an SSI cluster, System Type is SSI and the other fields displayed are Member Name, which contains the name of the member being upgraded, and Cluster Name, which contains the name of the SSI cluster.

If the system that is being upgraded is not a member of an SSI cluster, System Type is Non-SSI and the other field displayed is System Name, which contains the name of the system being upgraded.

- b. If the system that is being upgraded is a member of an SSI cluster, the Members in this Cluster fields are displayed. For each member in the cluster, the slot number, member name, and current release level of that member are displayed.
- c. The Common Service Filepool Name field contains the name of the common service file pool, as defined to the system being upgraded. This is the IBM default name VMPSFS or the name you selected in ICOMDIR NAMES to map your file pool name to the file pool nickname VMPSFS.
- d. The Current z/VM Product Information field displays the z/VM pre-installed products and where they are installed (file pool or minidisk). It also indicates which products are enabled or disabled. A blank in this field indicates that Enabled or Disabled does not apply to that product.
- e. Press F5 to continue if this is the system you intend to upgrade.

F5

4. The License Validation panel will only be displayed if you have optional features enabled on your current system. If you do, a list of the features that are enabled will be displayed. Upgrade installation will enable these same features on the new level of z/VM. Confirm that you have all the necessary licenses for each optional feature. If you do not have any optional features enabled on your system, the license validation panel will not be displayed and you should skip to substep “5” on page 150.

\*\*\* z/VM UPGRADE - LICENSE VALIDATION \*\*\*

Upgrade Installation will automatically enable the same features for your new system that are enabled on your current system. The features that are enabled on your current system are listed below. The new features must be appropriately licensed for all machines that will run your new system.

If you have ordered these features and accept the licensing terms and conditions, press F5 to acknowledge your agreement and acceptance of the terms and conditions. If you are accepting these terms on behalf of another person or company or other legal entity, you represent and warrant that you have full authority to bind that person, company, or legal entity to these conditions.

If you do not agree to these terms, or you do not have licenses for all the features listed below, press F3 to cancel the installation.

```
DirMaint:  ENABLED
PERFTK:    ENABLED
RACF:      ENABLED
RSCS:      ENABLED
```

F1 = HELP      F3/12 = QUIT      F5 = I Agree

*Figure 12. z/VM Upgrade - License Validation Panel*

- a. This panel shows which z/VM components and features are enabled on the system that is being upgraded. You must verify that you have appropriate licenses for each of these components and features for the release to which you are upgrading.
- b. Press F5 to agree that you have appropriate licenses on the new release of z/VM.

F5

If you do not have all the required licenses, press F3 or F12 to exit. Rerun the upgrade procedure once you have obtained the necessary licenses.

## Step 1. Run INSTPLAN

5. Complete the User Supplied Environment Information panel using the information you entered in Upgrade Planning Worksheet 2 (Table 13 on page 126).

```
*** z/VM UPGRADE - USER SUPPLIED ENVIRONMENT INFORMATION ***
Enter your work system DASD size
_ FBA DASD 6.0

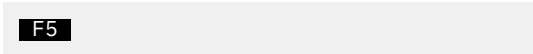
If you changed the name or location of your system configuration file,
change the values below.
System Configuration Name: SYSTEM   CONFIG   User ID: PMAINT   Addr: CF0

Do you edit your CP user directory file manually?
_ YES User Directory Name: USER     DIRECT   User ID: PMAINT   Addr: 2CC
_ NO

Enter a default password for your system that adheres to restrictions
set by your security manager
Default Password:      WD5JU8QP
```

Figure 13. z/VM Upgrade - User Supplied Environment Information Panel

- a. The Enter your work system DASD size. field will display only the installation DASD type for the system you are upgrading.  
**If your IBM-installed minidisks reside on 3390 volumes:** 3390 with the default minimum DASD size of 10016 cylinders will be displayed.  
**If your IBM-installed minidisks reside on FBA volumes:** FBA DASD with the default minimum DASD size of 6.0 gigabytes will be displayed. Place any nonblank character in front of the FBA DASD field. If you are using FBA DASD with a size larger than the default minimum, change the size field.
- b. The System Configuration Name fields are preloaded with the default file name, file type, and location of the file as shipped by IBM. If the system you are upgrading changed any of these values, enter the actual file name, file type, and location of your system configuration file.
- c. If you recorded NO on the "Do you edit your CP directory file manually?" line on upgrade installation worksheet 2 (Table 13 on page 126), enter a nonblank character in front of NO.
- d. If you recorded YES on the "Do you edit your CP directory file manually?" line on upgrade installation worksheet 2 (Table 13 on page 126), enter a nonblank character in front of YES. If you have changed the defaults shipped by IBM, update the file name, file type, and location of your user directory with the actual file information.
- e. If you selected a different default password, replace WD5JU8QP with the default password that you recorded on upgrade installation worksheet 2 (Table 13 on page 126).
- f. Press F5 to process your selections.



6. Complete the Installation Volume Definition panel using the information you entered on Upgrade Installation Worksheet 3 for 3390 (Table 14 on page 127) or Upgrade Installation Worksheet 4 for FBA (Table 15 on page 127).

```

*** z/VM UPGRADE - INSTALLATION VOLUME DEFINITION ***

COMMON AND RELEASE VOLUMES
  TYPE      LABEL      ADDRESS      FORMAT (Y/N)
  =====  =====  =====
COMMON      IBMCM1      ----
RELVOL      730RL1      ----
RELVOL2     730RL2      ----

MEMBER VOLUMES
  TYPE      LABEL      ADDRESS
  =====  =====  =====
RES         IBMRES      ----
SPOOL      IBMS01      ----
PAGE       IBMP01      ----

F1 = HELP      F3/F12 = QUIT      F5 = Process      ENTER = Refresh

```

Figure 14. z/VM Upgrade - Installation Volume Definition Panel

- If you do not want use a default volume label, then enter a new label in the LABEL field. See upgrade installation worksheet 3 (Table 14 on page 127) or upgrade installation worksheet 4 (Table 15 on page 127) for the labels you selected during planning.
- Fill in the volume addresses in the ADDRESS fields. See upgrade installation worksheet 3 (Table 14 on page 127) or upgrade installation worksheet 4 (Table 15 on page 127) for the addresses you selected during planning.
- Fill in the FORMAT (Y/N) column with Y to let the installation program format your installation volumes or N to not format your installation volumes. Specify N only if you have already CP formatted your volumes for this installation using ICKDSF or CPFMTXA. If you specify N, the volumes will be labeled but not formatted.
- Press F5 to process your selections.

F5

#### 7. Complete the Additional Space Requirements panel.

```

*** z/VM UPGRADE - ADDITIONAL SPACE REQUIREMENTS ***

Space is needed in your existing environment to load minidisks for the
following user IDs. Supply the volume label and free space on each volume.

MEMBER VOLUME
  USER ID      MINIMUM      LABEL      START      END
  -----
MAINT          nnnn
GSKADMIN       nnnn
CBDIODSP       nnnn

COMMON VOLUME
  USER ID      MINIMUM      LABEL      START      END
  -----
7VMDIR30      nnnn
7VMLEN30      nnnn
MAINTCSM      nnnn

F1 = HELP      F3/12 = QUIT      F5 = Process      ENTER = Refresh

```

Figure 15. z/VM Upgrade - Additional Space Requirements Panel

- Using Upgrade Installation Worksheet 5 (Table 16 on page 128), fill in:
  - The labels of the volumes where the space for each user ID will be allocated.

## Step 1. Run INSTPLAN

- b. If you edit your CP user directory file manually, using upgrade installation worksheet 5 ([Table 16 on page 128](#)), fill in:
- The starting cylinder or block where the minidisks for this user ID will be defined.
  - The ending cylinder or block where the minidisks for this user ID will be defined.
  - The space available between the START and END values must be equal to or larger than the value displayed in the MINIMUM column.
- c. Press F5 to process.

A screenshot of a terminal window showing the F5 key being pressed. The text "F5" is displayed in a black box on a light gray background.

8. A summary of your upgrade information is displayed. The output you see may be different due to your planning choices and your current system environment. Review the output displayed to verify your planning choices. If any of the information displayed is not correct, rerun the INSTPLAN command and supply corrected information.

**Note:** You might not see message IUGPUX8418W.

```

IUGPUX8475I System upgrade information
Existing member information:

      {System|Member} being upgraded:  name      (Member 1 of n)
      System type:                      stype
      Cluster name:                      cname

      Common service filepool:  fpname

      System Config location:  userid addr
      System Config filename:  filename filetype

      Edit directory:           {YES|NO}
      User directory location:  userid addr
      User directory filename:  filename filetype

      z/VM products/features enabled:  products

Additional space requirements:

MEMBER      USER ID      MIN      LABEL      START      END
Space -----
      MAINT          nnnn     label      nnnn       nnnn
      GSKADMIN       nnnn     label      nnnn       nnnn
      CBDIODSP       nnnn     label      nnnn       nnnn

COMMON      USER ID      MIN      LABEL      START      END
Space -----
      7VMDIR30       nnnn     label      nnnn       nnnn
      7VMLEN30       nnnn     label      nnnn       nnnn
      MAINTCSM       nnnn     label      nnnn       nnnn
      5684042J       nnnn     label      nnnn       nnnn

Work system information:
Work system type:  NEW
DASD size selected:  type - size
Format volumes:  y/n
Volume labels and addresses:
      lblcm1 addr
      lblr11 addr
      lblr12 addr
      lblres addr
      lblspl addr
      lblpag addr

The default password you selected is:
      WD5JU8QP

IUGPUX8418W Not enough space available in filepool fpname. Your existing
      fpname filepool has nnnnnnnn blocks available. You need nnnnnnnn
      blocks in storage group 2 to load the new filespace. You must
      increase your filepool by nnnnnn blocks before running INSTUPGR

IUGINP8392I INSTPLAN EXEC ended successfully
Ready; T=n.nn/n.nn hh:mm:ss

```

- Verify that the information listed in the response from the INSTPLAN command matches the system you are upgrading and the information listed on your upgrade installation worksheets.

### Step 2. Verify your upgrade installation volumes

---

From the MIGMAINT user ID on the system being upgraded:

1. If you are installing to 3390, skip to substep “7” on page 155.
2. If the SCSI volumes you are installing to are defined as minidisks on your installation user ID, skip to substep “7” on page 155.
3. If the SCSI volumes you are installing to have already been defined, in the SYSTEM CONFIG or by using the SET EDEVICE command, skip to substep “6” on page 155. If not yet defined, continue with the next substep.
4. To define the SCSI volumes, you need to know which FCP addresses are valid for your SCSI volumes.

If you know the FCP address or the range of addresses associated with your SCSI volume addresses skip this substep.

If only the channel path ID is known, issue the QUERY CHPID command to display all FCP addresses associated with the path. For example, if the channel path is X'66', issue:

```
query chpid 66
Path 66 online to devices 517C 5319 550D 8100 8101 8102 8103 8104
Path 66 online to devices 8105 8106 8107 8108 8109 810A 810B 810C
Path 66 online to devices 810D 810E 810F 8110 8111 8112 8113 8114
Path 66 online to devices 8115 8116 8117 8118 8119 811A 811B 811C
Path 66 online to devices 811D 811E 811F
```

5. To define the SCSI volumes, use the information recorded in upgrade installation worksheet 4 ([Table 15 on page 127](#)).

See *z/VM: CP Planning and Administration* for information about defining SCSI disks. The following information will provide each SCSI volume with a basic definition.

For each SCSI volume:

- a. Select and record a free FCP address for each edevice. You should use one FCP device for the 730RES volume and a different (or multiple different) FCPs for the other volumes.

```
query fcp free
```

Choose a device from the output. Record a FCP address for each edevice in the **FCP Address** column in upgrade installation worksheet 4 ([Table 15 on page 127](#)).

- b. Define the device address.

```
set edevice dasdaddr type fba attr attr_type fcp_dev fcpn wwpn www lun 111
```

## Step 2. Verify your upgrade installation volumes

### ***dasdaddr***

The edevice address from traditional installation worksheet 6 ([Table 6 on page 19](#)).

### ***attr\_type***

The name of an attribute set to be associated with the real device. See the SET EDEVICE command in [z/VM: CP Commands and Utilities Reference](#).

### ***fcpn***

The Fibre Channel Protocol (FCP) address. You should use one FCP device for the 730RES volume and one or more different FCPs for the other volumes.

### ***www***

The worldwide port number.

### ***lun***

The logical unit number (LUN) address.

6. Vary on any SCSI volumes not already online. Repeat this substep for each volume.

```
vary on dasdaddr
```

7. Attach each DASD volume listed on upgrade installation worksheet 3 ([Table 14 on page 127](#)) or upgrade installation worksheet 4 ([Table 15 on page 127](#)) that is not already attached. Enter the following ATTACH command for each volume:

```
attach dasdaddr *  
DASD dasdaddr ATTACHED TO userid dasdaddr  
:  
Ready; T=n.nn/n.nn hh:mm:ss
```

### ***dasdaddr***

The address of the DASD volume.

### ***userid***

The first-level user ID logged on to previously.

**Attention:** Issue the QUERY DASD ATTACH \* command to verify there are no DASD attached to your user ID with the same label as those being used for installation. You must detach any duplicate-labeled DASD from your user ID to prevent bringing them online.

### Step 3. Run INSTALL

---

1. From the MIGMAINT user ID, access the 24CC minidisk as file mode C.

```
access 24cc c
Ready; T=n.nn/n.nn hh:mm:ss
```

2. Run INSTALL to install your new 7.3 work system for your upgrade installation.

**Note:** You must *not* disconnect your MIGMAINT user ID. The installation procedure will IPL the z/VM system a number of times and these will fail if MIGMAINT is running disconnected.

```
install
```

At this point, messages related to activities performed by installation, such as formatting and allocation DASD, restoring data, IPLing the system, and running SERVICE and PUT2PROD will be displayed.

If you receive one of the following messages:

```
IUGILB8300E File ddd50000 IMAGE W not found
IUGILB8342E The command 'PIPE DVDDECOD ddd500 failed with RC=rc'
```

make sure you load DISC 2 of the z/VM Product Package installation media to your installation minidisk, USB flash drive, or FTP server before restarting.

If you are installing from a physical DVD or a USB flash drive, you will receive the following prompt:

```
HCPIRU8484R Please place the "z/VM Product Package
for installation on type - DISC 2" DVD
in the DVD drive, then type GO to continue or type
EXIT to quit.
```

where: *type* is 3390 or SCSI

Place DISC 2 in the DVD drive and wait until the light on the DVD drive goes out or stops blinking, then enter go.

If using a USB flash drive, enter go.

Do not attempt to skip installing DISC 2.

If you enter **exit**, your installation will not be complete. You must rerun the **INSTALL** command and enter **go** to load the files from DISC 2 before you can continue to the next step.

If the installation fails while loading DISC 2, make sure the DVD in the drive is the z/VM Product Package for installation on *type* - DISC 2 and enter INSTALL to try again.

```
IUGIRU8440I Now loading MAINT $\nu$ rm 500 disk
:
IUGIRU8341I Load of DISC 2 has completed successfully
```



When the **INSTALL** command completes, there will be one additional IPL, the system will come back up logged on to MAINT730, and the following will be displayed:

```
*****
*
* The installation of your upgrade work system is complete. *
* This system will be SHUTDOWN and you will be returned to *
* MIGMAINT on the system you are upgrading. *
*
* Once the system shutdown is complete: *
*
* IPL CMS on MIGMAINT *
* Continue with the instructions in the Installation Guide. *
*
*****

*****
*
* Type GO to continue *
*
*****
```

```
go
..
```

3. IPL CMS on the MIGMAINT user ID.

```
ipl cms
.
.
ENTER
Ready; T=n.nn/n.nn hh:mm:ss
```

## What to do next

Go to [Chapter 15, “Generate the STAGE1 changes file,”](#) on page 159.

### Step 3. Run INSTALL

---

## Chapter 15. Generate the STAGE1 changes file

### **In this chapter, you will:**

- Create a backup copy of the system being upgraded.
- Run **INSTUPGR** to create the STAGE1 changes file.

## **Step 1. Create a backup copy of the system being upgraded**

---

Before you begin to upgrade your system, use your normal backup procedures to create a backup copy of the system to be upgraded.

Make sure you have backup copies of your user directory (USER DIRECT) and your system configuration files (SYSTEM CONFIG).

- If you are *not* using a directory manager program:
  - Make a backup copy of your user directory file (the default file is USER DIRECT).
- If you *are* using a directory manager program:
  - Create and save a flat-file backup of your current user directory.
    - If you are using DirMaint, use the following commands to generate and retrieve the file:

```
DIRM BACKUP  
DIRM SEND USER BACKUP
```

- By default, the SYSTEM CONFIG file is located on the PMAINT CF0 minidisk. Link and access this minidisk and then copy SYSTEM CONFIG to SYSTEM BACKUP (or some similarly-named file).

If updates are made to the system being upgraded that cannot be backed out, this backup can be used to restore the system to the state it was in before the installation upgrade STAGE1 procedure started.

## Step 2. Generate the STAGE1 table

---

1. Make sure any user IDs that have write links to the system inventory and service disks (such as PMAINT, MAINT, MAINT710, and MAINT720) and product installation IDs 7VMxxx10 and 7VMxxx20 are logged off of the system you are upgrading and all other members of your cluster before logging on to MIGMAINT.
2. Log on to the MIGMAINT user ID on the system being upgraded. Make sure the user ID meets the MIGMAINT user ID requirements in substep “4” on page 108.
3. Access the 24CC minidisk as file mode C.

```
access 24cc c
Ready; T=n.nn/n.nn hh:mm:ss
```

4. Run **INSTUPGR** to generate the \$STAGE1\$ \$TABLE\$ file, which will list the STAGE1 changes needed to upgrade your system.

```
instupgr stage1 (prime
IUGUPG8392I INSTUPGR ended successfully
Ready; T=n.nn/n.nn hh:mm:ss
```

5. If any errors occur, review the error messages in the INSTUPGR \$CONSLOG file on the MIGMAINT 2CF0 minidisk (accessed as filemode E), correct the condition that is causing the error, and then go back to substep “4” on page 161. (The most current messages are at the bottom of the file.)
6. If **INSTUPGR** completes with no errors, but does have warnings, they will be displayed on the screen and also logged in the \$STAGE1\$ \$WRNFILE file on the MIGMAINT 2CF0 disk (accessed as filemode E). Review the warnings and resolve any issues before continuing to [Chapter 16, “Update your current system with the STAGE1 changes,”](#) on page 163.

### What to do next

Continue to [Chapter 16, “Update your current system with the STAGE1 changes,”](#) on page 163.

## Step 2. Generate the STAGE1 table

---

## Chapter 16. Update your current system with the STAGE1 changes

### **In this chapter, you will:**

- Use the INSTUPGR command to make the changes to your current system identified in the \$STAGE1\$ \$TABLE\$. If you want to make the changes manually, see [Appendix O, “Update your current system manually with the STAGE1 changes,”](#) on page 299.

## Step 1. Use INSTUPGR to make your STAGE1 system changes

From the MIGMAINT user ID on the system that is being upgraded:

1. Make sure the user ID meets the MIGMAINT user ID requirements in substep “4” on page 108.
2. If you are using a directory manager, verify that the new release volumes (from Table 14 on page 127 or Table 15 on page 127, with default labels 73ORL1 and 73ORL2) are included in your directory manager DASD pool. If you are using DirMaint, make sure the release volumes are included in the :REGIONS section of the EXTENT CONTROL file and that you have put the updated EXTENT CONTROL file online.

To send the updated file to the DIRMAINT server, issue:

```
DIRM FILE EXTENT CONTROL
```

To put the file online, issue:

```
DIRM RLDEXTN
```

3. Access the 24CC minidisk as file mode C.

```
access 24cc c  
Ready; T=n.nn/n.nn hh:mm:ss
```

4. Run the INSTUPGR command to upgrade your system with STAGE1 changes defined in the \$STAGE1\$ \$TABLE\$ file.

```
instupgr stage1 (commit  
Now processing line 10 of nnn  
Now processing line 20 of nnn  
:  
IUGUPG8392I INSTUPGR ended successfully  
Ready; T=n.nn/n.nn hh:mm:ss
```

5. If any errors occur, review the error messages in the INSTUPGR \$CONSLOG file on the MIGMAINT 2CF0 minidisk (accessed as filemode E), correct the condition that is causing the error, and then go back to substep “4” on page 164.

**Note:** For some error conditions, you may need to remove the changes that have been made on your system up to this point. If this is the case, see [Appendix S, “Removing changes made by STAGE1 \(optional\),”](#) on page 339.

6. If you are running DirMaint, do not recycle any DirMaint servers before you have completed Chapter 17, “[Step 2. Review directory considerations](#)” on page 173.

### What to do next

Go to [Chapter 17, “Finish the STAGE1 upgrade,”](#) on page 165.



---

## Chapter 17. Finish the STAGE1 upgrade

### **In this chapter, you will:**

- Review external security manager (ESM) considerations.
- Review directory considerations.
- Rework your local modifications.
- Convert the RACF/VM database.

# Step 1. Review external security manager (ESM) considerations

---

If you are *not* running an external security manager (ESM), skip to “[Step 2. Review directory considerations](#)” on page 173.

Some of the required authorizations that follow might have been done by your security manager when the new user IDs were added to your system. You should verify that all of the authorizations listed are done before continuing with your upgrade.

Refer to the documentation for your security manager to perform the following steps, as necessary:

1. Make sure the MAINT730 user ID is authorized to:

- Link to any minidisk on the system without the need to supply a password
- Perform security authorizations on behalf of other users
- Perform all SFS administration functions, if you are managing SFS with your security manager.
- Link to any minidisk with link mode MR. If you are using DirMaint and RACF/VM, and DirMaint is enabled to communicate with RACF (USE\_RACF= YES), MAINT730 might be authorized specifically for READ authority only for the following minidisks:

MAINT 190  
MAINT 193  
MAINT 19B  
MAINT 19E  
MAINT 19D  
MAINT 402

If this is the case, you need to remove the specific READ authority (so that OPERATIONS authority will be in effect) or change the specific READ authority to CONTROL.

2. If you are using an ESM to manage logon authorizations:

- The following user IDs were added to the user directory with the default password. Make sure your ESM will allow the following user IDs to be logged on.
  - If you are upgrading from z/VM 7.1 or 7.2 to z/VM 7.3:

MAINT730  
7VMDIR30  
7VMHCD30  
7VMPTK30  
7VMRAC30  
7VMRSC30

- The following user IDs were added to the user directory with the NOLOG password.
  - If you are upgrading from z/VM 7.1 or 7.2 to z/VM 7.3:

7VMLEN30  
7VMTCP30

3. If you are using an ESM to manage disk access:

- The following component user IDs were added for the new release:
  - The user IDs for the new release need to have the same disk authorizations as the corresponding user IDs for the old release.
  - User IDs that are currently authorized to access resources owned by the user IDs from the old release must now be authorized for the same resources as the user IDs for the new release.
  - If you are using RACF, you can use the RACF command RLIST for each user ID and minidisk from the old release to determine the current disk authorization.

## Step 1. Review external security manager (ESM) considerations

New release	Old release
MAINT730	MAINT710 or MAINT720
7VMDIR30	7VMDIR10 or 7VMDIR20
7VMLEN30	6VMLEN20
7VMPTK30	7VMPTK10 or 7VMPTK20
7VMRAC30	7VMRAC10 or 7VMRAC20
7VMRSC30	7VMRSC10 or 7VMRSC20
7VMTCP30	7VMTCP10 or 7VMTCP20
7VMHCD30	7VMHCD10 or 7VMHCD20

- The following current users need authorizations for the links that were added for this release.
  - If you are upgrading from z/VM 7.1 to z/VM 7.3:

User ID	Link authorization
BLDNUC	MAINT 193 RR MAINTCSM 1190 RR MAINTCSM 1590 RR MAINTCSM 1890 RR

- The following minidisks are IPL minidisks and all users should have read access. Change the default READ password in your USER DIRECT to ALL or authorize the disk for universal READ access:

MAINT 990  
MAINT730 890

4. The following user IDs have links that were changed during the upgrade installation. These user IDs need to be authorized to link to the new disks for the link mode indicated:

User ID	Old link (with mode)	New link (with mode)
RACMAINT	7VMRAC10 191 RR or 7VMRAC20 191 RR 7VMRAC10 29E RR or 7VMRAC20 29E RR 7VMRAC10 505 MR or 7VMRAC20 505 MR 7VMRAC10 590 MR or 7VMRAC20 590 MR	7VMRAC30 191 RR 7VMRAC30 29E RR 7VMRAC30 505 MR 7VMRAC30 590 MR
TCPMAINT	7VMTCP10 491 RR or 7VMTCP20 491 RR 7VMTCP10 492 RR or 7VMTCP20 492 RR	7VMTCP30 491 RR 7VMTCP30 492 RR
DIRMAINT	7VMDIR10 11F MR or 7VMDIR20 11F MR 7VMDIR10 41F MR or 7VMDIR20 41F MR 7VMDIR10 491 MR or 7VMDIR20 491 MR 7VMDIR20 492 MR or 7VMDIR20 492 MR	7VMDIR30 11F MR 7VMDIR30 41F MR 7VMDIR30 491 MR 7VMDIR30 492 MR

**Step 1. Review external security manager (ESM) considerations**

User ID	Old link (with mode)	New link (with mode)
MAINT	MAINT710 194 RR or MAINT720 194 RR MAINT710 2A2 RR or MAINT720 2A2 RR MAINT710 2A4 RR or MAINT720 2A4 RR MAINT710 2A6 RR or MAINT720 2A6 RR MAINT710 2C4 RR or MAINT720 2C4 RR MAINT710 2D2 RR or MAINT720 2D2 RR MAINT710 400 RR or MAINT720 400 RR MAINT710 490 RR or MAINT720 490 RR MAINT710 493 RR or MAINT720 493 RR MAINT710 51D RR or MAINT720 51D RR MAINT710 5BC RR or MAINT720 5BC RR MAINT710 5E5 RR or MAINT720 5E5 RR MAINT710 5E6 RR or MAINT720 5E6 RR MAINT710 890 RR or MAINT720 890 RR 6VMLEN20 49E RR	MAINT730 194 RR MAINT730 2A2 RR MAINT730 2A4 RR MAINT730 2A6 RR MAINT730 2C4 RR MAINT730 2D2 RR MAINT730 400 RR MAINT730 490 RR MAINT730 493 RR MAINT730 51D RR MAINT730 5BC RR MAINT730 5E5 RR MAINT730 5E6 RR MAINT730 890 RR 7VMLEN30 49E RR
PERFSVM	7VMPTK10 200 RR or 7VMPTK20 200 RR 7VMPTK10 29D RR or 7VMPTK20 29D RR	7VMPTK30 200 RR <sup>1</sup> 7VMPTK30 29D RR <sup>1</sup>
EREP	MAINT 201 201 RR	MAINT 193 201 RR
<sup>1</sup> If PERFTK was loaded to file pool, this disk does not exist. No authorization is necessary.		

5. The following user IDs have links to a disk that is actually owned by a different user ID (an indirect resource). The user IDs listed in the table need to be authorized to link to the indirect resource for the link mode indicated:

*Table 17. Links to indirect resources, Part 1 of 3*

User ID	Directory link (with mode)	Indirect resource (with mode)
LOHCOST	MAINT 400 RR	MAINT730 400 RR
MIGMAINT	MAINT 51D MR MAINT 5E5 RR	MAINT730 51D MR MAINT730 5E5 RR
MAINTCSM	MAINT 51D MR MAINT 5E6 RR MAINT 5BC RR	MAINT730 51D MR MAINT730 5E6 RR MAINT730 5BC RR
5684042J	MAINT 51D MR MAINT 5E5 RR	MAINT730 51D MR MAINT730 5E5 RR
PERSMAPI	PERFSVM 200 RR PERFSVM 29D RR	7VMPTK30 200 RR <sup>1</sup> 7VMPTK30 29D RR <sup>1</sup>
IBMUSER	RACMAINT 192 RR RACMAINT 29E RR RACMAINT 305 RR	7VMRAC30 191 RR 7VMRAC30 29E RR 7VMRAC30 505 RR
<sup>1</sup> If PERFTK was loaded to file pool, this disk does not exist. No authorization is necessary.		

*Table 18. Links to indirect resources, Part 2 of 3*

User ID	Directory link (with mode)	Indirect resource (with mode)
DATAMOVE	DIRMAINT 191 RR DIRMAINT 192 RR DIRMAINT 11F RR DIRMAINT 21F RR	7VMDIR30 491 RR 7VMDIR30 492 RR 7VMDIR30 11F RR 7VMDIR30 41F RR
DATAMOV2	DIRMAINT 191 RR DIRMAINT 192 RR DIRMAINT 11F RR DIRMAINT 21F RR	7VMDIR30 491 RR 7VMDIR30 492 RR 7VMDIR30 11F RR 7VMDIR30 41F RR
DATAMOV3	DIRMAINT 191 RR DIRMAINT 192 RR DIRMAINT 11F RR DIRMAINT 21F RR	7VMDIR30 491 RR 7VMDIR30 492 RR 7VMDIR30 11F RR 7VMDIR30 41F RR
DATAMOV4	DIRMAINT 191 RR DIRMAINT 192 RR DIRMAINT 11F RR DIRMAINT 21F RR	7VMDIR30 491 RR 7VMDIR30 492 RR 7VMDIR30 11F RR 7VMDIR30 41F RR
DIRMSAT	DIRMAINT 191 RR DIRMAINT 192 RR DIRMAINT 11F RR DIRMAINT 21F RR	7VMDIR30 491 RR 7VMDIR30 492 RR 7VMDIR30 11F RR 7VMDIR30 41F RR
DIRMSAT2	DIRMAINT 191 RR DIRMAINT 192 RR DIRMAINT 11F RR DIRMAINT 21F RR	7VMDIR30 491 RR 7VMDIR30 492 RR 7VMDIR30 11F RR 7VMDIR30 41F RR
DIRMSAT3	DIRMAINT 191 RR DIRMAINT 192 RR DIRMAINT 11F RR DIRMAINT 21F RR	7VMDIR30 491 RR 7VMDIR30 492 RR 7VMDIR30 11F RR 7VMDIR30 41F RR
DIRMSAT4	DIRMAINT 191 RR DIRMAINT 192 RR DIRMAINT 11F RR DIRMAINT 21F RR	7VMDIR30 491 RR 7VMDIR30 492 RR 7VMDIR30 11F RR 7VMDIR30 41F RR
TCPIP	TCPMAINT 491 RR TCPMAINT 492 RR	7VMTCP30 491 RR 7VMTCP30 492 RR
DTCVSW1	TCPMAINT 491 RR TCPMAINT 492 RR	7VMTCP30 491 RR 7VMTCP30 492 RR
DTCVSW2	TCPMAINT 491 RR TCPMAINT 492 RR	7VMTCP30 491 RR 7VMTCP30 492 RR

**Step 1. Review external security manager (ESM) considerations**

*Table 18. Links to indirect resources, Part 2 of 3 (continued)*

<b>User ID</b>	<b>Directory link (with mode)</b>	<b>Indirect resource (with mode)</b>
DTCVSW3	TCPMAINT 491 RR TCPMAINT 492 RR	7VMTCP30 491 RR 7VMTCP30 492 RR
DTCVSW4	TCPMAINT 491 RR TCPMAINT 492 RR	7VMTCP30 491 RR 7VMTCP30 492 RR
FTPSERVE	TCPMAINT 491 RR TCPMAINT 492 RR	7VMTCP30 491 RR 7VMTCP30 492 RR
LDAPSRV	TCPMAINT 491 RR TCPMAINT 492 RR	7VMTCP30 491 RR 7VMTCP30 492 RR
MROUTE	TCPMAINT 491 RR TCPMAINT 492 RR	7VMTCP30 491 RR 7VMTCP30 492 RR

*Table 19. Links to indirect resources, Part 3 of 3*

<b>User ID</b>	<b>Directory link (with mode)</b>	<b>Indirect resource (with mode)</b>
PORTMAP	TCPMAINT 491 RR TCPMAINT 492 RR	7VMTCP30 491 RR 7VMTCP30 492 RR
REXECD	TCPMAINT 491 RR TCPMAINT 492 RR	7VMTCP30 491 RR 7VMTCP30 492 RR
RXAGENT1	TCPMAINT 491 RR TCPMAINT 492 RR	7VMTCP30 491 RR 7VMTCP30 492 RR
SMTP	TCPMAINT 491 RR TCPMAINT 492 RR	7VMTCP30 491 RR 7VMTCP30 492 RR
SNMPD	TCPMAINT 491 RR TCPMAINT 492 RR	7VMTCP30 491 RR 7VMTCP30 492 RR
SNMPQE	TCPMAINT 491 RR TCPMAINT 492 RR	7VMTCP30 491 RR 7VMTCP30 492 RR
SNMPSUBA	TCPMAINT 491 RR TCPMAINT 492 RR	7VMTCP30 491 RR 7VMTCP30 492 RR
UFTD	TCPMAINT 491 RR TCPMAINT 492 RR	7VMTCP30 491 RR 7VMTCP30 492 RR
VMNFS	TCPMAINT 491 RR TCPMAINT 492 RR	7VMTCP30 491 RR 7VMTCP30 492 RR

## Step 1. Review external security manager (ESM) considerations

*Table 19. Links to indirect resources, Part 3 of 3 (continued)*

User ID	Directory link (with mode)	Indirect resource (with mode)
GSKADMIN	TCPMAINT 491 RR TCPMAINT 492 RR	7VMTCP30 491 RR 7VMTCP30 492 RR
SSLDCSSM	TCPMAINT 491 RR TCPMAINT 492 RR	7VMTCP30 491 RR 7VMTCP30 492 RR
DTCSMAPI	TCPMAINT 491 RR TCPMAINT 492 RR	7VMTCP30 491 RR 7VMTCP30 492 RR

6. If you configured RACF, you should have given the following user IDs operation authority. If you have defined operation authority for these IDs, no additional authorizations are needed for these disks and you can go to the next substep.

*Table 20. Links to indirect resources*

User ID	Directory link (with mode)	Indirect resource (with mode)
BLDNUC	MAINT 490 MR MAINT 890 MR	MAINT730 490 MR MAINT730 890 MR
BLDSEG	MAINT 194 MR MAINT 2A2 MR MAINT 2A4 MR MAINT 2A6 MR MAINT 2C4 MR MAINT 2D2 MR MAINT 5E6 RR MAINT 51D MR	MAINT730 194 MR <sup>1</sup> MAINT730 2A2 MR <sup>1</sup> MAINT730 2A4 MR <sup>1</sup> MAINT730 2A6 MR <sup>1</sup> MAINT730 2C4 MR <sup>1</sup> MAINT730 2D2 MR <sup>1</sup> MAINT730 5E6 RR MAINT730 51D MR
BLDRACF	RACMAINT 490 MR RACMAINT 305 RR	7VMRAC30 590 MR 7VMRAC30 505 RR

<sup>1</sup> If z/VM was loaded to file pool, this disk does not exist. No authorization is necessary.

7. If you are using an ESM to manage your shared file pool administrator authorizations, give ADMIN authority for the following file pools to the user IDs listed:

File pool	User IDs
VMPSFS	MAINT730 BLDNUC BLDRACF
VMSYS	MAINT730
VMSYSR	MAINT730
VMSYSU	MAINT730

8. If you are using an ESM to manage command authorizations, the new user IDs should be authorized for appropriate VM commands following your normal site procedures.

User ID	Authorization
MAINT730	Same as MAINT710 or MAINT720
7VMDIR30	Same as 7VMDIR10 or 7VMDIR20
7VMHCD30	Same as 7VMHCD10 or 7VMHCD20

## Step 1. Review external security manager (ESM) considerations

User ID	Authorization
7VMPTK30	Same as 7VMPTK10 or 7VMPTK20
7VMRAC30	Same as 7VMRAC10 or 7VMRAC20
7VMRSC30	Same as 7VMRSC10 or 7VMRSC20
7VMTCP30	Same as 7VMTCP10 or 7VMTCP20

9. If you are using an ESM to manage any other system resources, review the user directory entries for the following new user IDs to identify any other security authorization that may be required for your environment.

- If you are upgrading from z/VM 7.1 or 7.2 to z/VM 7.3:

MAINT730  
7VMDIR30  
7VMHCD30  
7VMPTK30  
7VMRAC30  
7VMRSC30  
7VMTCP30



## Step 2. Review directory considerations

---

1. If you are upgrading a member of a multimember SSI cluster, the user directory needs to be brought online for all members of the cluster.
  - a. If you indicated that you `xedit` your directory and allowed INSTUPGR to make the directory changes, you need to run DIRECTXA on all other members of the cluster. Then go to substep “3” on [page 174](#).
  - b. If you used DirMaint as your directory manager to make upgrade changes, the directory was already brought online for all members. Continue to substep “2” on [page 173](#).
  - c. If you used a different directory manager or made the directory updates manually, you need to make sure the directory is brought online for all other members of the cluster. Then go to substep “3” on [page 174](#).
2. If you are upgrading a non-SSI system, a one-member SSI cluster, or the first member of a multimember SSI cluster and DirMaint is enabled as your directory manager, copy any configured files from 7VMDIR10's or 7VMDIR20's minidisks to the new 7VMDIR30's disks and then recycle DirMaint.
  - a. Copy any configured files and any locally-written exits from:
 

```
7VMDIR10 491 or 7VMDIR20 491 to 7VMDIR30 491
7VMDIR10 492 or 7VMDIR20 492 to 7VMDIR30 492
7VMDIR10 11F or 7VMDIR20 11F to 7VMDIR30 11F
7VMDIR10 41F or 7VMDIR20 41F to 7VMDIR30 41F
```

Make sure that you also copy the WHERE TO DATADVH file and all of your CONFIG\* DATADVH files from the 7VMDIR10 or 7VMDIR20 11F and 41F minidisks. Do *not* copy the CONFIG DATADVH file.
  - b. Copy the DVHPROFA DIRMSAT\*, DVHPROFA DIRMAINT, and DVHPROFM DATADVH files, if they exist, from 7VMDIR10 491 and 492 or 7VMDIR20 491 and 492 to 7VMDIR30 491 and 492.
  - c. Update configuration files, such as AUTHFOR CONTROL and DVH NAMES DATADVH, with the new user IDs that were added for z/VM 7.3, as appropriate:
 

```
MAINT730
7VMDIR30
```
  - d. If you are using an ESM, user IDs AUTOLOG1 and AUTOLOG2 need access to the 7VMDIR30 11F minidisk. Make sure these user IDs have been given read authority to the 11F minidisk.
  - e. Recycle all of the DirMaint servers:
    - If your SSI cluster runs first-level:
      - i) Attach the new release volume (or volumes) from your work system to all of the other members of your SSI.
      - ii) Determine which member the user ID DIRMAINT is logged on to.
      - iii) From that member, log off DIRMAINT.
      - iv) From that member, XAUTOLOG DIRMAINT.

Repeat these three steps for DIRMSAT, DIRMSAT2, DIRMSAT3, DIRMSAT4, DATAMOVE, DATAMOV2, DATAMOV3, and DATAMOV4, as necessary.

Your DirMaint servers are now running the upgraded release level of DirMaint.
    - If your SSI cluster runs second-level and if this was the first member of a multimember SSI cluster to be upgraded to this release, add the new release volumes to the directory entries for the user IDs where you IPL your SSI members, in the same manner as the current release volumes.

For each release volume added:

    - i) Add an MDISK statement to the directory entry for the user ID of the SSI member that will own the DASD.

## Step 2. Review directory considerations

- ii) Add a LINK statement to the directory entries for each of the user IDs where you IPL your additional SSI members.

After you have updated the directory entries for all of the user IDs where you IPL your SSI members:

- i) Shut down all members of your SSI.
- ii) Log off the user IDs.
- iii) Log the user IDs back on.

This will pick up the new release volumes. When you IPL the members of your SSI, they will have access to the new volumes.

- iv) The volumes that you used to install your work system must be accessible to the second-level SSI. On the first-level user ID where you run the system you are upgrading, attach the DASD volumes that you used for the RES and COMMON volumes for your work system (from [Table 14 on page 127](#)).
- v) IPL the members of your SSI.
- vi) On the member you are upgrading, enroll the following user IDs as ADMIN IDs for the service file pools. Log on to MIGMAINT and enter the following commands:

- If you are upgrading from z/VM 7.1 to 7.3:

```
ENROLL ADMIN MAINT730 VMPSFS
ENROLL ADMIN MAINT730 VMSYS
ENROLL ADMIN MAINT730 VMSYSU
ENROLL ADMIN MAINT730 VMSYSR
ENROLL ADMIN BLDNUC VMPSFS
ENROLL ADMIN BLDRACF VMPSFS
```

- If you are upgrading from z/VM 7.2 to 7.3:

```
ENROLL ADMIN MAINT730 VMPSFS
ENROLL ADMIN MAINT730 VMSYS
ENROLL ADMIN MAINT730 VMSYSU
ENROLL ADMIN MAINT730 VMSYSR
```

### 3. Log off MIGMAINT.

## Step 3. Rework your local modifications

---

1. If your system has local modifications that were created with the LOCALMOD EXEC to any components that are upgraded with the new release, the local modification files were copied over to the new release service disks and the VM SYSLMOD table was updated to allow those local modifications to be applied to the new release. You need to review your local modifications and rework them for the new release or remove them. You must then update the VM SYSLMOD table with the status of each local modification listed. This must be completed before continuing to the second stage of your upgrade installation.
2. Log on to the maintenance user ID for your new release, MAINT730.

```
logon maint730
:
Ready; T=n.nn/n.nn hh:mm:ss
```

The default password for MAINT730 is WD5JU8QP or the password you selected when you installed your system.

3. Determine if you have any local modifications by using the VMFUPDAT SYSLMOD command:

```
vmfupdat syslmod
```

If there are *no* local modifications that require rework, you'll see one of the following responses:

### Response 1:

```
VMFUTL2767I Reading VMFINS DEFAULTS B for additional options
VMFUPX2309I There are no local modifications that require rework
Ready; T=n.nn/n.nn hh:mm:ss
```

### Response 2:

```
VMFUTL2767I Reading VMFINS DEFAULTS B for additional options
DMSCPY002E INPUT file VM SYSLMOD D not found
VMFUPX0002E File VM SYSLMOD D not found
Ready (00028); T=n.nn/n.nn hh:mm:ss
```

If you receive one of these responses (meaning there are *no* local modifications that require rework), skip to substep “6” on page 176.

If there are local modifications that require rework, you'll see this panel:

### Step 3. Rework your local modifications

```
*** Update SYSLMOD Table Entries ***

Set action code AC to C when rework is Complete. Action code N means rework
is Not Complete. Use the lines at the bottom of the panel to mark rework
complete for: ALL Localmods ( press PF6 ), any Localmods with ***** ( fill in
a Modid ), or any Localmods for ***** ( fill in a Compname ).

AC  Compname      Prodid      Modid      Part Fn  Part Fta  VVT Ft
--  -
N   CMS           7VMCMS30   0002      DMSNGP   TXT       VVTLCL

All local modifications PF6
All local modifications with Modid *****
All local modifications for Compname *****

Page 1 of 1

PF1=HELP  PF3/PF12=Quit  PF5=Process  PF6=All_Mods
```

Figure 16. Update SYSLMOD Table Entries Panel

Review the information displayed on this panel and make a note of any parts with local modifications that you need to rework. Also, make a note of any local modifications that should be removed. Press F3 or F12 to exit.

**Note:** The Part Fta displayed is an abbreviation for the generated object file type.

4. Use the LOCALMOD command to rework any local modifications. See the *z/VM: Service Guide* for instructions on using LOCALMOD for rework. Even if you do not make any changes, type FILE. If any local modifications need to be removed, use the VMFREM command. See the *z/VM: VMSES/E Introduction and Reference* for information about the VMFREM EXEC.

**Note:** Do *not* run the SERVICE command or the PUT2PROD command. The parts will be rebuilt during a later step.

If you receive message VMFUPX2309I from the LOCALMOD command, skip to substep “7” on page 177.

5. After all local modifications have been reworked or removed, update the status in the VM SYSLMOD table by once again invoking the VMFUPDAT SYSLMOD command.

#### vmfupdat syslmod

Mark each part according to the instructions on the panel (as shown in [Figure 16 on page 176](#)). When all parts are marked, press F5 to process the status updates.

6. If certain local modifications exist against RACF, RACF objects need to be rebuilt.
  - a. If a local modification exists against RACF part ICHRDSNT ASSEMBLE, which changes the name of the primary RACF database, the backup RACF database, or both, the following commands must be run to rebuild the objects built from the updated ICHRDSNT part:

```
VMFSETUP SERVP2P RACF
VMFBLD PPF SERVP2P RACF RPIBL505 ICHRDSNT (ALL
VMFBLD PPF SERVP2P RACF RPIBLLNK ICHRDSNT (ALL
```

- b. Certain RACF exits do not appear as local modifications, but they need to be rebuilt before continuing.

If *no* TXT00000 files exist on the RACF local modification disk (7VMRAC30 2C2 or VMPSFS:7VMRAC30.RACF.SAMPLE), skip to substep “7” on page 177.

If TXT00000 files do exist on the RACF local modification disk (7VMRAC30 2C2 or VMPSFS:7VMRAC30.RACF.SAMPLE), perform a RACF build:

```
VMFSETUP SERVP2P RACF  
VMFBLD PPF SERVP2P RACF RPIBLLPA (ALL
```

7. Log off MAINT730.

### Step 4. Convert the RACF/VM database

If you are not running the RACF/VM security manager, skip to [Chapter 18, “Stop your production workload and back up your system,”](#) on page 181.

**Note:** If you share your RACF database with z/OS, and you have not done so already, you must create a separate database for z/VM before continuing. RACF database sharing with z/OS is no longer supported. Instructions for creating the new database can be found in the *z/VM: RACF Security Server System Programmer's Guide*, Chapter 5, "Utilities for the RACF Database", "The RACF Database Split/Merge/Extend Utility Program (IRRUT400)", "Examples of IRRUT400 usage".

Before converting your database to the new database template, perform these verification steps:

1. If you have not done so already, you should verify the integrity of your database by running the RACF utility RACUT200. Instructions for running the RACUT200 utility can be found in Section 6.4, Step 1 of the *Program Directory for RACF Security Server for z/VM, function level 730*.
2. Verify that the access mode for the RACFVM 200 and 300 minidisks is mode MWV. If this is not the case, you must perform the following steps:
  - a. Update the SUBCONFIG entry for RACFVM in the user directory to reflect the new MWV modes.
  - b. Log on to OPERATOR.
  - c. Issue the following commands:

```
force racfvm
autolog racfvm
```

To convert the RACF/VM database, follow these steps:

1. Using your normal backup procedures, create a backup of the RACF database.
2. Log on to RACMAINT on the system you are upgrading. Do not disconnect from RACMAINT or close this session.
3. Run the RACFCONV utility.
  - a. Verify that the minidisks that are linked by RACMAINT are owned by 7VMRAC30:

```
query mdisk 305
TargetID Tdev OwnerID  Odev
RACMAINT 0305 7VMRAC30 0505
Ready;
query mdisk 490
TargetID Tdev OwnerID  Odev
RACMAINT 0490 7VMRAC30 0590
Ready;
query mdisk 29e
TargetID Tdev OwnerID  Odev
RACMAINT 029E 7VMRAC30 029E
Ready;
query mdisk 192
TargetID Tdev OwnerID  Odev
RACMAINT 0192 7VMRAC30 0191
Ready;
```

- b. Verify that RACMAINT has write access to the RACF database disks:

```
q links 200
RACMAINT 0200 R/W, RACFVM 0200 R/W
Ready; T=n.nn/n.nn hh:mm:ss
q links 300
RACMAINT 0300 R/W, RACFVM 0300 R/W
Ready; T=n.nn/n.nn hh:mm:ss
```

- c. To convert the RACF database, run the RACFCONV utility:

```
ipl 490
racfconv
ENTER
200
```

```
yes
racfconv
ENTER
300
yes
```

If RACFCONV receives RC=0, RACFCONV upgraded the RACF templates successfully or the templates are at the correct level. One of the following messages is displayed:

```
Processing complete, template update was applied.
Processing complete, template update not required.
```

If RACFCONV ends with any other return code, review the information about running RACFCONV in the *z/VM: RACF Security Server System Programmer's Guide* and take any corrective actions that might be needed.

Continue upgrading your z/VM system only when you are sure that your RACF database templates are at the correct level.

d. Log off RACMAINT.

## Step 4. Convert the RACF/VM database



---

## Chapter 18. Stop your production workload and back up your system

### **In this chapter, you will:**

- Stop your production workload and back up your system.

### Step 1. Prepare to run the second stage of upgrade

---

You are now ready to run the second stage of upgrade. In STAGE2, the new release code will be moved into production. You should shut down all your production workloads on the system you are upgrading (stop application servers, have end users log off, and so on) or move your production workload to another system or to another member of your SSI cluster.

You must *not* shut down your shared file system servers, and you must *not* shut down your directory manager or security manager servers, if you are running these products.

After you have shut down or relocated your production workload, use your site's normal backup procedures to create a backup of your system. Specifically, STAGE2 processing will modify the following disks, which should be backed up:

CBDIODSP 400  
MAINT 190  
MAINT 193  
MAINT 19D  
MAINT 19E  
MAINT 402  
MAINT 990  
MAINT CF1  
MAINT CF3  
MAINT710 CF2  
MAINT720 CF2  
MAINT710 51D  
MAINT720 51D  
MAINT730 51D  
PERFSVM 201  
PMAINT 41D  
PMAINT 550  
PMAINT 551  
RACFVM 305  
RACFVM 490  
RSCS 401  
RSCS 403  
TCPMAINT 591  
TCPMAINT 592  
VMSERV 191  
VMSERV 191  
VMSERVS 191  
VMSERVU 191

Because backing out STAGE2 requires that you restore the backup copy of your system, you should *not* make any directory or security changes on your system or any member of your SSI cluster after you create your backup.

Make sure you have backup copies of your user directory (USER DIRECT) and your system configuration files (SYSTEM CONFIG).

- If you are *not* using a directory manager program:
  - Make a backup copy of your user directory file (the default file is USER DIRECT).
- If you *are* using a directory manager program:

- Create and save a flat-file backup of your current user directory.
  - If you are using DirMaint, use the following commands to generate and retrieve the file:

```
DIRM BACKUP  
DIRM SEND USER BACKUP
```

- By default, the SYSTEM CONFIG file is located on the PMAINT CF0 minidisk. Link and access this minidisk and then copy SYSTEM CONFIG to SYSTEM BACKUP (or some similarly-named file).

**Note:** After you have created your backup, do not restart your production workloads on the member you are upgrading until you have completed your upgrade.

### What to do next

Go to [Chapter 19, “Generate the STAGE2 changes file,”](#) on page 185.

## Step 1. Prepare to run the second stage of upgrade

---

## Chapter 19. Generate the STAGE2 changes file

### **In this chapter, you will:**

- Run INSTUPGR to create the STAGE2 changes file.

## Step 1. Generate the STAGE2 table

### To generate the STAGE2 table, follow these steps:

1. Make sure any user IDs that have write links to the system inventory and service disks, such as MAINT, MAINT710, MAINT720, and MAINT730, and product installation IDs 7VMxxx10, 7VMxxx20, and 7VMxxx30 are logged off of the system you are upgrading and all other members of your cluster before logging onto MIGMAINT.
2. Log on to the MIGMAINT user ID on the system being upgraded. Make sure the user ID meets the MIGMAINT user ID requirements in substep “4” on page 108. You must log off of MIGMAINT after STAGE1 processing is complete and log back on to MIGMAINT before running STAGE2 processing.
3. Access the 24CC minidisk as file mode C:

```
access 24cc c
Ready; T=n.nn/n.nn hh:mm:ss
```

4. Run INSTUPGR to generate the \$STAGE2\$ \$TABLE\$ file, which will list the STAGE2 changes needed to upgrade your system. If you have not logged off non-essential user IDs, you will receive message IUGUPG8541 regarding users you might want to log off. Follow the instructions provided in the message.

```
instupgr stage2 (prime

IUG2FC8535I Creating temporary work copy of MAINT 190 minidisk
z/VM DASD DUMP/RESTORE PROGRAM
COPYING MNT190
COPYING DATA 09/06/22 AT 20.33.21 GMT FROM MNT190 TO MNT190

INPUT {CYLINDER|BLOCK} EXTENTS      OUTPUT {CYLINDER|BLOCK} EXTENTS
      START      STOP                START      STOP
          0          nnnn                0          nnnn

END OF COPY
END OF JOB

IUGUPG8392I INSTUPGR ended successfully
Ready; T=n.nn/n.nn hh:mm:ss
```

5. If any errors occur, review the error messages in file INSTUPGR \$CONSLOG on MIGMAINT's 2CF0 minidisk (accessed as filemode E), correct the condition that is causing the error, and then go back to substep “4” on page 186. (The most current messages are at the bottom of the file.)
6. If INSTUPGR completes with no errors, but does have warnings, they will be displayed on the screen and also logged in the file \$STAGE2\$ \$WRNFILE on MIGMAINT's 2CF0 disk (accessed as file mode E). Review the warnings and resolve any issues before continuing to [Chapter 20, “Update your current system with the STAGE2 changes,” on page 187.](#)

### What to do next

Continue to [Chapter 20, “Update your current system with the STAGE2 changes,” on page 187.](#)

**Note:** During the next step, the IBM-supplied file pools - VMSYS, VMSYSR, VMSYSU, and VMPSFS - are restarted.

---

## Chapter 20. Update your current system with the STAGE2 changes

### **In this chapter, you will:**

- Use the INSTUPGR command to make the changes to your current system identified in the \$STAGE2\$ \$TABLE\$. If you want to make the changes manually, see [Appendix P, “Update your current system manually with the STAGE2 changes,”](#) on page 303.

## Step 1. Use INSTUPGR to make your STAGE2 system changes

---

1. Log on to the MIGMAINT user ID on the system being upgraded. Make sure the user ID meets the MIGMAINT user ID requirements in substep “4” on page 108.
2. Access the 24CC minidisk as file mode C.

```
access 24cc c
Ready; T=n.nn/n.nn hh:mm:ss
```

3. Run the INSTUPGR command to upgrade your system with STAGE2 changes defined in the \$STAGE2\$ \$TABLE\$ file. If you have not logged off non-essential user IDs, you will receive message IUGUPG8541 regarding users you might want to log off. Follow the instructions provided in the message.

```
instupgr stage2 (commit
Now processing line 10 of nnn
Now processing line 20 of nnn
:
IUGUPG8529I The 190 disk on the current system has been upgraded.
IUGUPG8529I You must IPL the 190 disk to reaccess the new files,
IUGUPG8529I To complete commit processing:
IUGUPG8529I IPL 190 PARM AUTOOCR
IUGUPG8529I ACCESS 24CC C
IUGUPG8529I and then re-issue:
IUGUPG8529I INSTUPGR STAGE2 (COMMIT
Ready; T=n.nn/n.nn hh:mm:ss
```

4. If any errors occur, review the error messages in file INSTUPGR \$CONSLOG on MIGMAINT's 2CF0 minidisk (accessed as filemode E), correct the condition that is causing the error, and then go back to substep “3” on page 188.
5. IPL the 190 disk to reaccess the files on your updated 190 disk. You might receive messages DMSWSP327I and DMSDCS1083E, related to segments. These messages can be ignored.

```
ipl 190 parm autocr
:
Ready; T=n.nn/n.nn hh:mm:ss
```

6. Access the 24CC minidisk as filemode C.

```
acc 24cc c
Ready; T=n.nn/n.nn hh:mm:ss
```

7. Reissue INSTUPGR to finish upgrading your system with STAGE2 changes defined in the \$STAGE2\$ \$TABLE\$ file.

```
instupgr stage2 (commit
Now processing line 10 of nnn
Now processing line 20 of nnn
:
IUGUPG8392I INSTUPGR ended successfully
Ready; T=n.nn/n.nn hh:mm:ss
```

8. If any errors occur, review the error messages in the INSTUPGR \$CONSLOG file on MIGMAINT's 2CF0 minidisk (accessed as file mode E), correct the condition that is causing the error, and then go back to substep “7” on page 188.

**Note:** Do *not* run SERVICE RESTART.



## **What to do next**

Go to [Chapter 21, “Finish your upgrade installation,” on page 191.](#)

**Step 1. Use INSTUPGR to make your STAGE2 system changes**

---

## Chapter 21. Finish your upgrade installation

### **In this chapter, you will:**

- Review directory considerations.
- Review SYSTEM CONFIG changes.
- Review *sysname* \$WRNFILE messages.
- Shut down and IPL your upgraded system.
- Migrate licensed product inventory files.
- Complete your upgrade.
- Perform post-upgrade tasks.

## Step 1. Review directory considerations

---

1. If you are upgrading a member of a multimember SSI cluster, the user directory needs to be brought online for all members of the cluster.
  - a. If you indicated that you edit your directory and allowed INSTUPGR to make the directory changes, you need to run DIRECTXA on all other members of the cluster.
  - b. If you used DirMaint as your directory manager to make upgrade changes, the directory was already brought online for all members.
  - c. If you used a different directory manager or made the directory updates manually, you need to make sure the directory is brought online for all other members of the cluster.
2. If you disabled minidisk password checking before starting the upgrade installation, you should verify that the disks added to the directory have minidisk passwords that adhere to your password guidelines, then re-enable minidisk password checking.

New user IDs with disks:

- If you are upgrading from z/VM 7.1 or 7.2 to z/VM 7.3:

MAINT730  
7VMDIR30  
7VMHCD30  
7VMLEN30  
7VMPTK30  
7VMRAC30  
7VMRSC30  
7VMTCP30

Existing user IDs with new minidisks:

- If you are upgrading from z/VM 7.1 or 7.2 to z/VM 7.3:

MAINT 19B  
MAINTCSM 1190  
MAINTCSM 1590  
MAINTCSM 1890

3. The following minidisks were increased in size during INSTUPGR STAGE2 processing.

- If you are upgrading from z/VM 7.1 to z/VM 7.3:

CBDIODSP 400  
GSKADMIN 191

Depending on how you have your security manager configured, changing a minidisk could affect security authorizations. You should verify that the security authorizations for these minidisks are still correct.

4. The default access mode for the RACFVM 200 and RACFVM 300 MDISK statements has changed from MW to MWV. If you are upgrading a non-SSI system or the only member of an SSI cluster, update the SUBCONFIG entry for RACFVM in the user directory to reflect the new MWV modes.

## Step 2. Review SYSTEM CONFIG changes

If you made the changes to the SYSTEM CONFIG file manually, skip to “[Step 3. Review sysname \\$WRNFILE messages](#)” on page 195. Otherwise, continue with this step.

1. Access the disk where your SYSTEM CONFIG file resides. The default is PMAINT's CF0 disk.
2. Review the changes made to the SYSTEM CONFIG file to verify that they meet the conventions for your site.

Changes were added to the end of the file and start with the block comment:

```

/*****
/*          UPGRADE STATEMENTS for 730          */
/* Any statements that follow this comment have been */
/* added by the UPGRADE process. Do not add or remove */
/* statements beyond this comment. Doing so will */
/* negate your ability to use the upgrade backout */
/* automation or functions. */
*****/

```

Each statement added is delineated by the comments:

```

/* UPGRn Statement was added by INSTUPGR STAGE1 (COMMIT */
:
/* UPGRn END */

```

There are three types of statements that may have been added:

- The addition of the release volumes to the User\_Volume\_List:

```
User_Volume_List 730RL1 730RL2
```

- An edevice statement, if your system is installed in FBA DASD. If the device details could be determined, a real edevice statement was added:

```

edevice 4076 type fba attr SCSI fcp_dev 4F60,
wwpn 5005076306134411 lun 4011407600000000

```

If the details could not be determined, a comment was added:

```
/* edevice 4087 is not an emulated device */
```

Review the edevice statements to verify or correct the statements for your devices.

- A PRODUCT statement was added for the new release products and features. The state of the new products and features is the same as the state of the equivalent product or feature from your old release. For example, if Performance Toolkit was not enabled on z/VM 7.1 or 7.2, it will not be enabled on z/VM 7.3:

```

PRODUCT PROID 7VMPTK30 STATE DISABLED DESCRIPTION
'00/00/00.00:00:00.$UPGRADE PERFORMANCE TOOLKIT FOR VM'

```

## Step 2. Review SYSTEM CONFIG changes

3. When you have reviewed the upgrade statements that were added to the SYSTEM CONFIG file, you can leave the statements where they are or you can move them up, to match your organization of the file. After you have moved the statements, you can delete the following comments:

```
/******  
/* UPGRADE STATEMENTS for 730 */  
/* Any statements that follow this comment have been */  
/* added by the UPGRADE process. Do not add or remove*/  
/* statements beyond this comment. Doing so will */  
/* negate your ability to use the upgrade backout */  
/* automation or functions. */  
/******  
  
/* UPGRn Statement was added by INSTUPGR STAGE1 (COMMIT */  
:  
/* UPGRn END */
```

## Step 3. Review *sysname* \$WRNFILE messages

**Note:** If the PARTNOTIFY keyword entries were done manually, you were instructed to make a note of the messages received, to be addressed after the upgrade was complete. This is the point at which you should make any necessary changes.

1. Log on to the MIGMAINT user ID on the system being upgraded.
2. Access the 2CF0 minidisk as file mode E.

```
access 2cf0 e
Ready; T=n.nn/n.nn hh:mm:ss
```

3. Review the *sysname* \$WRNFILE file on the 2CF0 disk (where *sysname* is the system name of the system you are upgrading).

The *sysname* \$WRNFILE file might contain the following messages:

### **IUG1EX8301W**

Device details could not be determined to add an edevice statement to the SYSTEM CONFIG file. Review the statement in the SYSTEM CONFIG file and, if needed, add the real edevice statement details.

### **IUG1EX8528W**

An APAR exists to a part that resides on the PMAINT 551 disk on your current system that is not included in the part on the new release. After the upgrade installation is complete, apply the APAR to the new release, if required.

### **IUG2EX8536W**

A customizable file was not copied because the target disk could not be obtained in write mode. Access the source and target disks and copy the file.

### **IUG2EX8538W**

The SERVICE \$PRODUIP file was not restored to SERVICE \$PRODS or it could not be erased after it was restored. Access the referenced disk, copy SERVICE \$PRODUIP to SERVICE \$PRODS, and erase SERVICE \$PRODUIP.

### **IUG2EX8542W**

The new administrator userid was not added to the DMSPARMS file for a IBM filepool because the DMSPARMS file was not found on the servers 191 minidisk. Access the DMSPARMS file listed in the message and add the required ADMIN userids to the ADMIN statement.

### **IUG2EX8555W**

A customizable file that was changed on your current system from the IBM default has been updated by IBM on the new release. Review the current and new files and merge your current file with the new file updated by IBM.

4. If the *sysname* \$WRNFILE contains any of these messages, review the actions described in [z/VM: CP Messages and Codes](#) and decide if you need to make any additional changes to your upgraded system before moving to the next step.

### Step 4. Shut down and IPL your upgraded system

---

1. If you are not running with a security manager:
  - a. Shut down this system or member.
  - b. IPL the upgraded system or member.
  - c. Go to [“Step 5. Migrate Licensed Product Inventory Files” on page 198](#).
2. If you are running with a security manager other than RACF/VM:
  - a. Consult the documentation for your security manager to see if there are any special requirements before IPLing.
  - b. Shut down this system or member.
  - c. IPL the upgraded system or member.
  - d. Go to [“Step 5. Migrate Licensed Product Inventory Files” on page 198](#).
3. If you are running with the RACF/VM security manager, note that the test disks for RACF/VM were updated with the new level of code. To complete the upgrade of RACF/VM, you will need to perform the following steps:
  - a. Log on to OPERATOR on the system you are upgrading and force RACFVM.

```
FORCE RACFVM
```

- 
- 
- 
- b. Use the XAUTOLOG command to log on the test RACF/VM server, RACMAINT:

```
XAUTOLOG RACMAINT
```

- 
- 
- 
- 
- c. Disconnect from OPERATOR.
- d. Log on to the MIGMAINT user ID on the system you are upgrading.
- e. Using DDR and VMFCOPY, copy the RACF/VM test build disks to the RACF/VM production disks:
  - i) Use DDR to copy the 7VMRAC30 590 disk to the RACFVM 490 disk:

```
LINK 7VMRAC30 590 1590 RR
LINK RACFVM 490 1490 MR
DDR
  SYSPRINT CONS
  INPUT 1590 DASD RAC590
  OUTPUT 1490 DASD RCF490
  COPY ALL
  ENTER
ACCESS 1490 G
FORMAT 1490 G (LABEL
RCF490
QUERY DISK G
RELEASE G (DETACH
DETACH 1590
```

- 
- 
- 
- 
- 
- 
- 
- ii) Use VMFERASE and VMFCOPY to update the RACFVM 305 disk:

```
LINK 7VMRAC30 505 1505 RR
LINK RACFVM 305 1305 MR
ACCESS 1505 G
ACCESS 1305 H
VMFERASE PROD 7VMRAC10%RACF FROM H or VMFERASE PROD 7VMRAC20%RACF FROM H
VMFCOPY * * G = = H (PRODID 7VMRAC30%RACF SPRODID 7VMRAC30%RACF OLDDATE REPLACE
RELEASE G (DETACH
RELEASE H (DETACH
```

- 
- 
- 
- 
- 
- 
- 
- 
- f. Shut down your system. Do not use the SHUTDOWN REIPL command.
- g. IPL the upgraded system.



- h. While logged on to an authorized user ID such as OPERATOR, force RACFVM.
- i. XAUTOLOG RACMAINT.
- j. Log on to MAINT730.
- k. Run PUT2PROD for RACF:

```
put2prod racf
```

- l. Log off MAINT730.
- m. Log on to OPERATOR and restart the production RACF server, RACFVM:

```
LOGON OPERATOR  
FORCE RACMAINT  
XAUTOLOG RACFVM
```

### Step 5. Migrate Licensed Product Inventory Files

---

If you are upgrading member 2, 3, or 4 of a multimember SSI cluster, skip to “[Step 6. Complete your upgrade](#)” on page 202.

The 51D disk that is owned by MAINT730 needs to be updated with the VMSES inventory files for licensed software products (LPs) that were not pre-installed with z/VM (for example, C/C++ or the High Level Assembler). You will need to use MIGR51D to move the VMSES/E inventory files for the LPs from MAINT710's or MAINT720's 51D disk to MAINT730's 51D disk.

1. Log on as MAINT730.

```
logon maint730
:
Ready; T=n.nn/n.nn hh:mm:ss
```

The default password for MAINT730 is WD5JU8QP or the password you selected when you installed your system.

2. Use your site's normal backup procedures to create a backup copy of your new system software inventory disk (default is 51D).
3. Link to the MAINT710 or MAINT720 51D disk.

```
link maint710 51d fff rr OR link maint720 51d fff rr
Ready; T=n.nn/n.nn hh:mm:ss
```

4. Access the software inventory FFF minidisk as file mode Z.

```
access FFF z
Ready; T=n.nn/n.nn hh:mm:ss
```

5. Access the new system 51D minidisk as file mode D.

```
access 51D d
Ready; T=n.nn/n.nn hh:mm:ss
```

6. Access the 493 minidisk as file mode W.

```
access 493 w
Ready; T=n.nn/n.nn hh:mm:ss
```

7. Run MIGR51D to update the system software inventory files.

```
migr51d
IUGMIX8478R Enter the filemode letter of the
              Software Inventory disk (51D) from
              the previous release. Press enter
              to exit.
z
```

The VM Software Inventory Disk (51D) Product Migration panel is displayed.

## Step 5. Migrate Licensed Product Inventory Files

\*\*\* VM Software Inventory Disk (51D) Product Migration \*\*\*  
Set action code AC to **D** = **Do Not Migrate** or to **M** = **Migrate** product. Action code **I** means product is already installed on new 51D and cannot be migrated.

AC	Compname	Prodid	Status	Description
M	CCXXSFS	5654A22C	BUILT	IBM XL C/C++ for z/VM Compiler in SFS
M	DFSMSVM	VSM221B	BUILT	DFSMSVM FOR VM/ESA 1.2
M	HLASM	5696234J	BUILT	High Level Assembler for z/OS & z/VM & z/VSE
D	AVS	7VMAVS10	APPLIED	AVS component for z/VM 7.1.0
D	CMS	7VMCMS10	APPLIED	CMS component for z/VM 7.1.0
D	CP	7VMCPR10	APPLIED	CP component for Z/VM 7.1.0
D	DIRM	7VMDIR10	BUILT	Install/service DirMaint using minidisk

Page 1 of 3

PF1=HELP PF3/PF12=Quit PF5=Process PF8=Forward

- a. Enter an action code (AC) for each product listed. For information about the panel and action codes, press F1.

**Notes:**

- i) This Product Migration panel is a sample. Your panels might not list the same products, action codes, statuses, and descriptions.
  - ii) Products that are preselected as D (Do Not Migrate) should not be changed.
  - iii) If you are upgrading a system that still uses OSA-Express3 cards, change the action code for OSA/SF to be M (Migrate). If your hardware does not include any OSA-Express3 cards, change the action code for OSA/SF to be D (Do Not Migrate).
  - iv) If a product is not supported on the new z/VM release, you should enter D (Do Not Migrate) for that product.
  - v) Before you delete any product, you must determine whether any product that you intend to migrate is dependent on this product. You can use VMFINFO or VMFSIM SYSDEP to determine product dependencies.
- b. Press F8 to select or verify action codes for all Software Inventory Migration panels before continuing to the next step.
- c. On the final panel, press F5 to process the product migration information and display the Segment Migration panel. Depending on the size of your software inventory files, it could take several minutes to process.

## Step 5. Migrate Licensed Product Inventory Files

```

*** VM Software Inventory Disk (51D) Segment Migration ***

Set action code AC to D = Do Not Migrate or to M = Migrate segment. Action
code P means segment will be migrated due to product migration. If =====
or ***** appears under Segname, enter a new name to change the segment
name upon migration ( ===== Must be changed, ***** May be changed ).

AC Segname      Prodid  Compname      Defparms      Bldparms
-----
P  CCNSEG      Old->  5654A22C  CCXXSFS      3000-7BFF SR      PPF(CCPLUS
   New->
   ***** Mig->  5654A22C  CCXXSFS      3000-7BFF SR      PPF(CCPLUS
D  CMSBAM      Old->  7VMCMS10  CMS          B0D-B37 SR      PPF(SERVP2P
   New->  7VMCMS30  CMS          B0D-B37 SR      PPF(SERVP2P
   ***** Mig->  7VMCMS30  CMS          B0D-B37 SR      PPF(SERVP2P
D  CMSDOS      Old->  7VMCMS10  CMS          B00-B0C SR      PPF(SERVP2P
   New->  7VMCMS30  CMS          B00-B0C SR      PPF(SERVP2P
   ***** Mig->  7VMCMS30  CMS          B00-B0C SR      PPF(SERVP2P
D  CMSFILES    Old->  7VMCMS10  CMS          1900-1BFF SR      PPF(SERVP2P
   New->  7VMCMS30  CMS          1900-1BFF SR      PPF(SERVP2P
   ***** Mig->  7VMCMS30  CMS          1900-1BFF SR      PPF(SERVP2P
                                           Page 1 of 5

PF1=HELP  PF3/PF12=Quit  PF5=Process  PF8=Forward

```

d. Enter an action code for each segment listed. For information about the panel and action codes, press F1.

This Segment Migration panel is a sample. Your panels might not list the same segments, action codes, status, and description.

### Notes:

- With z/VM 6.3, segments HELPSEG and NLSAMENG were deleted. If these segments are present on your current system, you should not migrate them.
- With z/VM 7.1, segment NLSKANJI was deleted. If this segment is present on your current system, you should not migrate it.

e. Press F8 to select action codes for all Software Inventory Segment Migration panels before continuing to the next step.

f. On the final panel, press F5 to process. Depending on the size of your software inventory files, it could take several minutes to process.

8. Release the software inventory disk for your current system (attached as FFF and accessed as file mode Z).

```
release z (detach
```

9. MIGR51D updated the 7.3 VMSES/E system software inventory files on your new 51D minidisk to reflect the licensed products installed on your old system that you chose to migrate. You might also need to migrate the segments associated with each licensed product reflected in the new system software inventory files. See the documentation for each licensed product for information about the segments required. If none of the products have segments or you are not using them, skip to [“Step 6. Complete your upgrade”](#) on page 202.

If the licensed product segments are built by VMSES/E, you must sign on to MAINT730 and do the following to update some of the other segment files on the system software inventory disk:

a. Issue VMFSGMAP.

```
vmfsgmap segbld esasegs segblist
```

At this time, you can make further changes to any segment.

b. On the first panel, enter:

```
segmerge
```

c. Press F5 to save your changes and exit from VMFSGMAP.

The VMFSGMAP and SEGMERGE commands only need to be done once, from one user ID. At this point, the appropriate files on the system software inventory disk are updated.

Now you can use the VMFBLD command to build the licensed product segments from the corresponding licensed product installation user IDs. Follow the information in the licensed product program directories.

For example, if you need to rebuild segments for the C/C++ product, you would log on to the C/C++ maintenance ID and enter the following:

```
vmfsetup ccplus ccxx  
vmfbld ppf segbld esasegs segblist ccseg (serviced
```

If you receive message VMFBDS2003W indicating that the SYSTEM SEGID file has been updated, you should log on to MAINT730 and enter the following commands to update the MAINT 190 disk and re-save CMS:

```
link maint 190 190 mr  
acc 190 t  
copy system segid d = = t (olddate replace  
put2prod savecms
```

### Step 6. Complete your upgrade

---

1. Review the latest installation information in the Preventive Service Planning (PSP) bucket to make sure all required tasks are completed.
2. If you are upgrading the first member of a multimember SSI, you should make sure that all release volumes (default labels 730RLn ) are available to all of the remaining members of the SSI.
3. If your SSI cluster runs second-level and if this was the first member of a multimember SSI cluster to be upgraded to this release, add the new release volumes to the directory entries for the user IDs where you IPL your SSI members, in the same manner as the current release volumes.

For each release volume added:

- a. Add an MDISK statement to the directory entry for the user ID of the SSI member that will own the DASD.
- b. Add a LINK statement to the directory entries for each of the user IDs where you IPL your additional SSI members.

After you have updated the directory entries for all of the user IDs where you IPL your SSI members:

- a. Shut down all members of your SSI
- b. Log off the user IDs
- c. Log the user IDs back on
- d. IPL the members of your SSI.

This will pick up the new release volumes. When you IPL the members of your SSI, they will have access to the new volumes.

4. The SAPL record on the IPL volume was *not* rewritten with the z/VM 7.3.0 level of SALIPL. This will result in the SAPL screen displaying z/VM 7.1.0 or 7.2.0. If you want the release that is displayed on the SAPL screen to be upgraded to z/VM 7.3.0, rewrite your SALIPL record using the z/VM 7.3.0 level of the SALIPL MODULE. See Chapter 2, "Using the Stand-Alone Program Loader", in *z/VM: System Operation* for information about rewriting the SALIPL record.
5. z/VM includes a stand-alone dump utility that you tailor according to your installation's configuration. After you install z/VM, you should create the stand-alone dump utility and place it on DASD for emergency use. If, after a system failure, CP cannot create an abend dump, you can use the stand-alone dump on DASD to dump CP storage.

For instructions on creating a stand-alone dump utility, see Chapter 12, "The Stand-Alone Dump Utility", in *z/VM: CP Planning and Administration*.

Note that in order to look at CP dumps from previous versions in VM Dump Tool, you will need to copy two files from minidisk MAINTvrm 493 to the MAINT 193 and MAINT730 493 disks.

If you are upgrading from:

- z/VM 7.1, copy HCQB8710 VMDTDATA and HCQD8710 VMDTDATA from MAINT710 493.
  - z/VM 7.2, copy HCQB8720 VMDTDATA and HCQD8720 VMDTDATA from MAINT720 493.
6. If you added links in existing user definitions to disks owned by current release-specific user IDs, such as MAINT710, 7VMTCP10, 7VMDIR10, MAINT720, 7VMTCP20, or 7VMDIR20, you need to evaluate if any of these links need to be updated in the existing user definitions for the new release-specific user IDs, such as MAINT730, 7VMTCP30, and 7VMDIR30.
  7. Work system volumes:

If you are upgrading the first member of a multimember SSI, all of the volumes used to install the work system must be kept to be used when upgrading the remaining members of your SSI.

If you are upgrading a non-SSI or a one-member SSI, all of the volumes used to install the work system, except the release volumes (default labels 730RLx), can be returned to the DASD pool.

8. If this was the first member of a multimember SSI to be upgraded to this release, the help disks (MAINT 19D and 402) were updated on the member being upgraded with the new release help files for DirMaint. Although all members were upgraded to use the new level of DirMaint, the DirMaint help files on the other members do not match the new level. You can leave the help disks as they are and they will be upgraded as you upgrade each of the remaining members or you can upgrade the help disks manually. To upgrade the help disks manually, do the following on each member:

- a. Log on to MAINT730.
- b. Link and access the DirMaint test help disk as X.

```
LINK 7VMDIR30 29D 29D RR
ACCESS 29D X
```

- c. For each help disk to be updated (19D and 402):
  - i) Link and access the disk to be updated as Z, in write mode.

```
LINK MAINT addr addr MR
ACCESS addr Z
```

- ii) Use VMFERASE to erase the 710 or 720 DirMaint help files.

```
VMFERASE PROD 7VMDIR10%DIRM FROM Z
or
VMFERASE PROD 7VMDIR20%DIRM FROM Z
```

- iii) Use VMFCOPY to copy the new release DirMaint help files. If updating the 19D disk, do *not* include the UPCASE option on the VMFCOPY command.

```
VMFCOPY * * X = = Z (PRODID 7VMDIR30%DIRM SPRODID 7VMDIR30%DIRM OLDDATE REPLACE UPCASE
```

9. Changes were made to the default USER DIRECT for z/VM 730. Update your user directory with the following changes:

- a. In the PROFILE TCPSSLU entry, change this statement:

```
MACH XA
```

to:

```
MACH Z
```

- b. In the USER MAINTCSM entry, change this statement:

```
MACH ESA
```

to:

```
MACH XC
```

- c. In the IDENTITY LDAPSRV entry, add this statement:

```
MACH Z
```

- d. In the IDENTITY GSKADMIN entry, add this statement:

```
MACH Z
```

10. Here are other changes that were made to the default USER DIRECT:

- a. The IDENTITY RACFSMF user was changed from a password logon to LOGONBY and the XAUTOLOG IBMVM1 statement was added.
- b. The IDENTITY RACMAINT user was changed from a password logon to LOGONBY and the XAUTOLOG IBMVM1 statement was added.
- c. For MAINT 990, the read password was changed from READ to ALL.

## Step 6. Complete your upgrade

11. Add a new profile to your user directory named IBMSFS. Here is the sample entry:

```
PROFILE IBMSFS
SPOOL 000C 2540 READER *
SPOOL 000D 2540 PUNCH A
SPOOL 000E 1403 A
CONSOLE 009 3215 T MAINT
LINK MAINT 0190 0190 RR
LINK MAINT 019D 019D RR
LINK MAINT 019E 019E RR
LINK MAINT 0402 0402 RR
*
```

- a. In the IDENTITY VMSERVR entry, change this statement:

```
INCLUDE IBMDFLT
```

to:

```
INCLUDE IBMSFS
```

- b. In the IDENTITY VMSERVS entry, change this statement:

```
INCLUDE IBMDFLT
```

to:

```
INCLUDE IBMSFS
```

- c. In the IDENTITY VMSERVU entry, change this statement:

```
INCLUDE IBMDFLT
```

to:

```
INCLUDE IBMSFS
```

- d. In the USER VMSERVP entry, change this statement:

```
INCLUDE IBMDFLT
```

to:

```
INCLUDE IBMSFS
```

- e. For each of those 4 VMSERV\* entries, delete this console statement (which is included in the IBMSFS profile):

```
CONSOLE 009 3215 T MAINT
```

**Note:** If you configured the console statements for the VMSERV\* servers to send the consoles to a server other than MAINT (such as the Operations Manager server OPMGRM1), change MAINT in the console statement included in PROFILE IBMSFS to the appropriate user ID (OPMGRM1, for example).

12. Changes were made to the size of the following disks. If you have not done so already, update the size of these disks in your user directory.

- a. For the USER:

```
DIRMAINT 155 (3390: 20 cyl; FBA: 28800 blocks)
```

- b. For the member that is being upgraded:

```
DIRMSAT 155 (3390: 20 cyl; FBA: 28800 blocks)
DATAMOVE 155 (3390: 20 cyl; FBA: 28800 blocks)
```



Instructions for increasing these disks while DirMaint is running can be found in the z/VM: Directory Maintenance Facility Tailoring and Administration Guide, Chapter 3, "Tailoring the DIRMAINT Service Machine" in the "Moving or Updating DirMaint or RACF Owned Minidisks" topic.

### Step 7. Perform post-upgrade tasks

---

1. The pre-installed product ICKDSF 1.17.0, which did *not* change release levels from z/VM 7.1 or 7.2 to z/VM 7.3, was *not* updated on your upgraded system. Any service on the z/VM 7.3 installation media for ICKDSF 1.17.0 was not applied to your system. You should compare the GA service level with the service level for ICKDSF 1.17.0 on your current system. If the GA service level is higher, you should install the additional service for ICKDSF 1.17.0.
  - See the following web page for information about the levels of service that are shipped on the base:  
IBM: z/VM Installation Resources (<https://www.vm.ibm.com/install>)  
The installation level of service is contained in the installation media SERVLINK, which was copied to the MAINT730 500 minidisk by the upgrade procedure.
2. Use your normal backup procedures to create a backup copy of your current system.
3. **User directory default passwords:** The following new user IDs were added to the USER DIRECT during upgrade installation, using the default password that was specified on upgrade installation worksheet 2 (Table 13 on page 126).
  - If you are upgrading from z/VM 7.1 or 7.2 to z/VM 7.3:

USER	MAINT730	<i>your_default</i>
USER	7VMDIR30	<i>your_default</i>
USER	7VMHCD30	<i>your_default</i>
USER	7VMLEN30	NOLOG
USER	7VMPTK30	<i>your_default</i>
USER	7VMRAC30	<i>your_default</i>
USER	7VMRSC30	<i>your_default</i>
USER	7VMTCP30	NOLOG
4. For backout purposes, the following disks that were deleted or moved during the upgrade installation process were not formatted to remove residual data.

After the system has been upgraded, to remove residual data, you might want to format the extents where these minidisks were defined before the system was upgraded.

The original disk extents can be found in the backup you created of your user directory.

  - If you are upgrading from z/VM 7.1 or 7.2 to z/VM 7.3:
    - Disks deleted:  
IDENTITY MAINT 401
    - Disks with size change:  
IDENTITY CBDIODSP 400  
IDENTITY GSKADMIN 191
5. The file CPB730 MODULE was copied to the MAINT CF1 minidisk. This is the z/VM 7.3 GA base CPMOD MODULE. The old release CPBASE MODULE should be erased from the MAINT CF1 minidisk.
6. Update the TCP/IP server configuration file (PROFILE TCPIP, or its equivalent) to include the MAINT730 user ID as a TCP/IP administrative user ID listed for the OBEY statement. By default, this configuration file is maintained on the TCPMAINT 198 minidisk.
7. If you are using DirMaint as your directory manager, your system or SSI cluster has been updated to run DirMaint function level 730 on all members. You should now disable the prior DirMaint function level, 710 or 720.
  - a. Set 7VMDIR10 or 7VMDIR20 to disabled on the currently-running system:

```
SET PRODUCT 7VMDIR10 STATE DISABLED
OR
SET PRODUCT 7VMDIR20 STATE DISABLED
```

- b. Edit the SYSTEM CONFIG file and change the PRODUCT statement for 7VMDIR10 or 7VMDIR20 from enabled to disabled.
- c. In a multimember SSI, disable 7VMDIR10 or 7VMDIR20 on all additional members of the SSI cluster.

```
AT membername CMD SET PRODUCT 7VMDIR10 STATE DISABLED
OI
AT membername CMD SET PRODUCT 7VMDIR20 STATE DISABLED
```

8. It is possible that you have installed service on your z/VM 7.1 or 7.2 system that also has a PTF available for z/VM 7.3. You will need to obtain and install the PTF for z/VM 7.3.

If you are upgrading from z/VM 7.2, you might have used the CHKAPARS utility (see Chapter 12, Step 4, substep “6” on page 115) to identify the service you will need to install. If you did not use CHKAPARS, or you are upgrading from z/VM 7.1, you should review the service you have installed on your z/VM 7.1 or 7.2 system since z/VM 7.3 became available to see if your z/VM 7.3 system requires additional service.

As you upgrade additional members of your SSI cluster, the service you applied to the first member will be carried forward.

### What to do next

- If you are upgrading a non-SSI or a one-member SSI, go to [Chapter 22, “Remove the obsolete release,” on page 209](#).
- If you are upgrading a one-member SSI and you want to add additional members to your SSI cluster (up to a total of 8 members), see Chapter 34, “Adding a Member to a z/VM SSI Cluster by Cloning an Existing Member” and Chapter 35, “Adding Members to a 4-Member SSI Cluster”, in [z/VM: CP Planning and Administration](#).
- If you are upgrading the first member of a multi-member SSI, you have completed the upgrade of this member. When you are ready to upgrade the remaining members of the SSI, go to [Part 5, “Upgrade installation for subsequent members of a multi-member cluster,” on page 213](#).

## Step 7. Perform post-upgrade tasks

---

## Chapter 22. Remove the obsolete release

### **In this chapter, you will:**

- Remove the obsolete release.

# Step 1. Remove the obsolete release

---

If this was the last member to be upgraded from the prior release, when you are sure you will no longer be using the prior release, you can delete resources associated with the prior release.

1. The user IDs associated with the prior release level of the products that will no longer be used can be removed from the user directory and from the VMPSFS and VMSYS file pools:

```
MAINT710 or MAINT720
7VMDIR10 or 7VMDIR20
7VMPTK10 or 7VMPTK20
7VMRAC10 or 7VMRAC20
7VMRSC10 or 7VMRSC20
7VMTCP10 or 7VMTCP20
7VMHCD10 or 7VMHCD20
6VMLEN20
```

2. The following user IDs are no longer shipped with z/VM and can be deleted from the user directory and from the VMPSFS and VMSYS file pools when they are no longer needed:

```
IMAP
IMAPAUTH
```

3. If you no longer need to run OSASF and you did not migrate it to z/VM 7.3, you can delete the following user IDs:

```
4OSASF40
OSADMIN1
OSADMIN2
OSADMIN3
OSAMAIN
OSASF
```

If you did migrate OSASF to z/VM 7.3 (in Chapter 21, “[Step 5. Migrate Licensed Product Inventory Files](#)” on page 198) but you no longer need it, you will need delete the user IDs and also remove OSASF information from the VMSES/E inventory files.

Log on to MAINT730 and perform the following steps:

- a. Make sure you have the PROPID, component name, and PPF name for your installation of OSASF. The PROPID should be 4OSASF40. The component name (*compname*) is OSA or OSASFS. The PPF name (*ppfname*) is SERVP2P or 4OSASF40.

To check the VM SYSSUF table and verify which component name and PPF name to use, enter:

```
VMFUPDAT SYSSUF
```

- b. Delete the information for OSASF from the VM system inventory files by entering the following VMFSIM MODIFY commands, substituting your *ppfname* and *compname*, as appropriate:

```
VMFSIM MODIFY VM SYSAPPS D TDATA :PPF ppfname compname (DELETE
VMFSIM MODIFY VM SYSBLDS D TDATA :PPF ppfname OSA (DELETE
VMFSIM MODIFY VM SYSRECS D TDATA :PPF ppfname compname (DELETE
VMFSIM MODIFY VM SYSDSCT D TDATA :PPF ppfname OSA (DELETE
VMFSIM MODIFY VM SYSDSCT D TDATA :PPF ppfname OSASFS (DELETE
VMFSIM MODIFY VM SYSREQT D TDATA :PROPID 4OSASF40%OSA (DELETE
VMFSIM MODIFY VM SYSREQT D TDATA :PROPID 4OSASF40%OSASFS (DELETE
VMFSIM MODIFY VM SYSSUF D TDATA :PROPID 4OSASF40%compname (DELETE
```

If OSASF was installed to SFS (*compname* is OSASFS), also enter the following command:

```
VMFSIM MODIFY VM SYSBLDS D TDATA :PPF ppfname OSASFS (DELETE
```

- c. Erase all files with a file name of 4OSASF40 from the MAINT730 191 and 51D minidisks.

d. To delete OSASF from the VM SYSPINV file, enter:

```
VMFUPDAT SYSPINV REMOVE PROD 4OSASF40 ALL
```

e. Delete the user IDs that are associated with OSASF, if you haven't done so already:

```
4OSASF40  
OSADMIN1  
OSADMIN2  
OSADMIN3  
OSAMAIN1  
OSASF
```

4. Old release volumes should be checked to see if any required disks remain on the volumes before they are returned to the DASD pool.

5. Any products associated with the prior release that will no longer be used should be set to disabled. Because the old release components have been removed from the VMSES/E control files, you should:

- Use the CP SET PRODUCT command to set the status on your running system.
- Edit the SYSTEM CONFIG file to update the PRODUCT statement to set the old release components to DISABLED or delete the PRODUCT statement.

```
7VMDIR10 or 7VMDIR20  
7VMPTK10 or 7VMPTK20  
7VMRAC10 or 7VMRAC20  
7VMRSC10 or 7VMRSC20
```

6. The system configuration files can be updated to remove the old release volumes and products.

## Step 1. Remove the obsolete release



---

## Part 5. Upgrade installation for subsequent members of a multi-member cluster

This part contains the procedures to be followed if you are upgrading subsequent members of a multi-member cluster to z/VM 7.3.

### **In this part, you will:**

- Plan your upgrade installation for members 2, 3, and 4 of a multi-member SSI.
- Complete the multi-member upgrade installation worksheets.
- Run INSTPROC.
- Run INSTPLAN.
- Create a backup copy of the system that is being upgraded.
- Run INSTUPGR to create the STAGE1 changes file.
- Run INSTUPGR to make the STAGE1 changes.
- Stop your production workload and back up your system.
- Run INSTUPGR to create the STAGE2 changes file.
- Run INSTUPGR to make the STAGE2 changes.
- Review directory considerations.
- Review *sysname* \$WRNFILE messages.
- Shut down and IPL your upgraded system.
- Complete your upgrade.
- Perform post-upgrade tasks.
- Remove the obsolete release.



---

## Chapter 23. Plan your upgrade installation for members 2, 3, and 4

### **In this chapter, you will:**

- Plan your upgrade installation for members 2, 3, and 4 of a multi-member SSI.
- Complete the multi-member upgrade installation worksheets.

# Step 1. Review the requirements for using the upgrade procedure

---

Before performing the z/VM 7.3 upgrade procedure, you must review the following information and make sure all requirements are satisfied.

### 1. Hardware requirements:

- Access to a local 3270 terminal, or equivalent, configured with at least 32 lines and 80 columns.

### 2. MIGMAINT user ID requirements:

- You must complete the upgrade installation from the MIGMAINT user ID logged on to the member you are upgrading.

**Note:** The default MIGMAINT user ID as shipped with z/VM 7.1 or 7.2 meets all of the requirements that are listed in this substep. If you have made any changes to the user ID as shipped (security changes, for example), you must make sure the user ID still meets these requirements.

The MIGMAINT user ID requirements are:

- Privilege classes of at least B and G.
- Authority to issue the DEFINE MDISK command.
  - The default privilege class for this command is class A and the directory entry for MIGMAINT must include DEVMAINT on the OPTION statement.
  - DEFINE MDISK can also be controlled by an external security manager (ESM), such as RACF.
- Administrator authority for the VMSYS, VMPSFS, and VMSYSU file pools.
- At least 256 MB of virtual storage.
- A 191 read/write minidisk accessed as file mode A.
- A 2222 read/write minidisk that is exactly 10 cylinders (3390).
- A 24CC read/write minidisk. This minidisk cannot be defined on a temporary disk and must be exactly 10 cylinders (3390).
- A 2CF0 read/write minidisk. This minidisk cannot be defined on a temporary disk and must be exactly 120 cylinders (3390).

### 3. Conditional requirements for the MIGMAINT user ID:

- If you are using a directory manager program, such as DirMaint, verify that the following are still in effect:
  - MIGMAINT must be authorized to issue directory manager commands on behalf of other users without the need to supply a password.
  - Refer to your directory manager documentation for additional requirements.
    - If you are using DirMaint, review the upgrade requirements in Appendix C of the *Program Directory for Directory Maintenance Facility for z/VM*, function level 730.
    - If you are using DirMaint, to avoid potential timing issues during upgrade, IBM recommends that you bring up the DIRMAINT server on the system that you are upgrading and that you run the appropriate DIRMSAT\* servers on the other systems in your SSI cluster.
- If you are using a security manager program, such as RACF, verify that the following are still in effect:
  - MIGMAINT must be authorized to link to any minidisk in write mode on the system without the need to supply a password (by specifying ATTRIBUTE=OPERATIONS in the RACF profile for MIGMAINT, for example).
  - Refer to your security manager documentation for additional requirements.

## Step 2. Review the DASD requirements

---

1. The DASD volumes that were used when upgrading the *first* member of a multi-member SSI must be available to this member. After the upgrade of the first member of a cluster was completed, the release volumes became permanent volumes in your cluster. The common and member volumes for the work system (IBMCM1 and IBMRES) will need to be attached to MIGMAINT on the member that is being upgraded. The spool and page volumes for the work system (IBMS01 and IBMP01) are not needed.
2. DASD space needed on the system that is being upgraded:
  - On each system you are upgrading, you will need space on one or more MEMBER volumes for new and changed minidisks. These volumes should be attached to the system you are upgrading before you begin your upgrade.
  - The total space needed on the MEMBER volumes that belong to the system being upgraded will be calculated in [“Multi-member upgrade installation worksheets”](#) on page 225.

### Step 3. Prepare the system before you start the upgrade process

Before performing the z/VM 7.3 upgrade installation, you must review the following information and make any required updates.

1. Review the following topics at IBM: z/VM Installation Resources (<https://www.vm.ibm.com/install>) for current information affecting installation:
  - Important z/VM Installation News
  - z/VM Installation Tips
  - Preventive Service Planning (PSP) bucket for z/VM 730 installation
2. Verify that the VMSES/E control files contain correct system information. The system name returned by the QUERY USERID command must match the system name contained in the following VMSES/E files found on the system to be upgraded:
  - VM SYSSUF file, found on the MAINT710 or MAINT720 51D minidisk
    - In the VM SYSSUF file, verify that one of the system names on each :PRODLEV tag matches the system name returned by the QUERY USERID command. If the names do not match or the name is missing on any of the :PRODLEV tags for any of the components, contact IBM service for assistance in correcting this information.
  - Note:** The SERVICE ALL STATUS command can be used to display production-level information for all systems.
  - VM SYSPINV file, found on the PMAINT 41D minidisk
    - In the VM SYSPINV file, verify that one of the system names on each :SYSTEM tag matches the system name returned by the QUERY USERID command. If the names do not match or the name is missing on any of the :SYSTEM tags for any of the components, contact IBM service for assistance in correcting this information.
3. Complete all SERVICE processing, PUT2PROD processing, or both that has been started for all members of the SSI cluster. Do not start any new service until the upgrade of this member is complete.
4. Complete any directory manager tasks.
  - If you are *not* using a directory manager program:
    - INSTUPGR will remove sequence numbers from the directory, if they exist.
  - If you *are* using a directory manager program:
    - Create and save a flat-file backup of your current user directory.
      - If you are using DirMaint, use the following commands to generate and retrieve the file:

```
DIRM BACKUP
DIRM SEND USER BACKUP
```

- Check with your software vendor to determine whether your directory manager program provides the upgrade installation exit required for upgrade installation to z/VM 730.
  - DirMaint supplies an installation upgrade exit that is shipped with the z/VM product. No installation of the exit program is needed.
  - CA VM:Secure supplies an installation upgrade exit. Refer to the product documentation for CA VM:Secure for information about installing the required level of the upgrade exit.
- If your directory manager program supplies an installation upgrade exit, refer to the program's documentation for program-specific requirements to use the exit provided.
  - For installation upgrade requirements related to DirMaint, review Appendix C of the *Program Directory for Directory Maintenance Facility for z/VM function level 730*.

### Step 3. Prepare the system before you start the upgrade process

- For installation upgrade requirements related to CA VM:Secure, refer to the Administrators section, *Upgrade z/VM in Place*, of the CA VM:Secure 3.2 documentation at <http://techdocs.broadcom.com>.
- If your directory manager program does *not* supply an installation upgrade exit, you will need to perform one of the following tasks:
  - a. Make the required directory changes yourself during STAGE1 and STAGE2 commit processing.
  - b. Suspend your directory manager temporarily and create a CP user directory file that the upgrade procedure can update with the xedit option.
- Directory changes must be made available (or put online) to all systems immediately.
- If your directory manager has minidisk password checking enabled, you might need to disable it during the upgrade because user IDs will be added to the directory that might have minidisk passwords that are considered trivial.
- If you are using DirMaint as your directory manager, you must have DATAMOV\* servers configured and available.

## Step 4. Complete multi-member upgrade installation worksheet 1

---

1. Determine the file name, file type, and location of the system configuration file for the system that is being upgraded.
  - a. Record the file name and file type of your system configuration file on multi-member upgrade installation worksheet 1 ([Table 22 on page 225](#)).
  - b. Record the user ID that owns the minidisk and the minidisk address where the file is located on multi-member upgrade installation worksheet 1 ([Table 22 on page 225](#)).

**Note:** The default file name and location of the system configuration file are:

Name: SYSTEM CONFIG

User ID: PMAINT

Minidisk: CFO

2. Determine how the upgrade installation procedure will update the CP user directory.
  - a. If you do *not* use a directory manager program to update your CP user directory and instead edit your CP user directory file manually (XEDIT):
    - Record YES on the "Do you edit your CP directory file manually?" line on multi-member upgrade installation worksheet 1 ([Table 22 on page 225](#)) and skip to substep "3" on page 220.
  - b. If you use a directory manager program that supplies an installation upgrade exit:
    - Record NO on the "Do you edit your CP directory file manually?" line on multi-member upgrade installation worksheet 1 ([Table 22 on page 225](#)).
  - c. If you use a directory manager program that does *not* supply an installation upgrade exit, you will need to perform one of the following tasks:
    - i) Use your directory manager to make the directory changes yourself during commit processing.
      - Record NO on the "Do you edit your CP directory file manually?" line on multi-member upgrade installation worksheet 1 ([Table 22 on page 225](#)).
    - ii) Create a CP user directory file that can be updated with the xedit option.
      - Record YES in the "Do you edit your CP directory file manually?" line on multi-member upgrade installation worksheet 1 ([Table 22 on page 225](#)).
      - To create a CP user directory file:
        - Disable the directory manager program so that no updates can be made to the directory.
        - Use your directory manager procedure to create a CMS file that contains the directory (such as USER DIRECT) on a minidisk that is available to MIGMAINT in write mode (such as PMAINT 2CC).
        - The directory file (such as USER DIRECT) must have all of the subconfigs directly following the IDENTITY sections and before any other user or identity starts.
        - No updates can be made to the directory until upgrade is complete.
        - After the upgrade is completed, use your directory manager procedure to replace the updated directory in your directory manager database.
3. If you recorded YES on the "Do you edit your CP directory file manually?" line on multi-member upgrade installation worksheet 1 ([Table 22 on page 225](#)):
  - Determine the file name and file type of your user directory file, the minidisk address where it is located, and the user ID that owns the minidisk.

**Note:** The default file name and location of the user directory file are:

Name: USER DIRECT

User ID: PMAINT

Minidisk: 2CC



#### Step 4. Complete multi-member upgrade installation worksheet 1

- Record the CP directory file information on multi-member upgrade installation worksheet 1 (Table 22 on page 225).

## Step 5. Complete multi-member upgrade installation worksheet 2

---

1. Determine the labels and addresses of the DASD used for the first member's upgrade work system and record that information in the **New Label** and **First Address** columns on multi-member upgrade installation worksheet 2 (Table 23 on page 225). You only need to record the information for the COMMON, RELEASE, and RES volumes. If you did not change the labels used, you do not need to enter anything in the **New Label** column.
2. On the system you are now upgrading, determine the addresses of the DASD used for the first member's work system for the COMMON, RELEASE, and RES volumes. The addresses of the physical DASD volumes might or might not be the same on all of the systems in your SSI cluster, so you must be sure that you have the correct addresses for this system.
3. Record the addresses as found on the system you are upgrading in the **Thissys Address** column on multi-member upgrade installation worksheet 2 (Table 23 on page 225).

## Step 6. Complete multi-member upgrade installation worksheet 3

1. Additional space needs to be allocated on the system being upgraded for new and changed minidisks that will reside on the MEMBER volumes. This space needs to be on volumes that already belong to the system being upgraded, not on the volumes used to install the work system. Make sure these volumes are attached to the system and are included in the control files for your directory manager (for DirMaint: EXTENT CONTROL).

This space must be defined on volumes that are designated as MEMBER volumes for the system you are upgrading.

- A MEMBER volume is one that is assigned to and is usually accessible to just one member of an SSI cluster (such as the MEMBER volumes with default labels of M01RES, M01W01, and M01W02).
2. Space that will be needed to add minidisks on MEMBER volumes is listed in [Table 21 on page 224](#). You must allocate the space for these minidisks on the same type of DASD you used when you installed your z/VM system.
    - [Table 21 on page 224](#) lists the user IDs that own the minidisks, the product associated with each user ID, and the minimum amount of space needed on a MEMBER volume.
    - Determine where each product was loaded and record an M (for minidisks) or an F (for file pool) in the Location column in multi-member upgrade installation worksheet 3 ([Table 24 on page 225](#)).
    - Use [Table 21 on page 224](#) and the product installation location (M or F) to determine the amount of space needed for each user ID. Record the space needed on multi-member upgrade installation worksheet 3 ([Table 24 on page 225](#)) in the Minimum column.
    - Determine which MEMBER volumes assigned to the system you are upgrading have sufficient contiguous space available to define each user ID's minidisks. All of the user IDs do not need to be on the same MEMBER volume, but all of the space for each user ID must be on one volume and must be contiguous.

**Note:** If there is not enough free space on any of the MEMBER volumes on the system that is being upgraded, you should add a new MEMBER volume to your system before you begin your upgrade. See *z/VM: CP Planning and Administration* for more information about adding additional MEMBER volumes to your system.

- On multi-member upgrade installation worksheet 3 ([Table 24 on page 225](#)), for each user ID, record the label of the MEMBER volume where that user ID's minidisks should be defined.
  - If you edit your CP user directory file manually, that is, you recorded YES on multi-member upgrade installation worksheet 1 ([Table 22 on page 225](#)), also record the start and end cylinders or block extents where the user ID's minidisks are to be defined.
    - The lowest value for the START cylinder extent is 1.
  - If you use a directory manager product, that is, you recorded NO on multi-member upgrade installation worksheet 1 ([Table 22 on page 225](#)), the directory manager will define the minidisks on these volumes.
    - You must make sure all member volumes you are using are included in the control files that define the DASD pool for your directory manager product.
    - Each volume must have enough contiguous space to define the minidisks assigned to that volume.

**Step 6. Complete multi-member upgrade installation worksheet 3**

<i>Table 21. Minimum space requirements for MEMBER volumes</i>					
<b>MEMBER volumes installing on:</b>		<b>Minimum space needed:</b>			
		<b>3390 (cylinders)</b>		<b>FBA (512K blocks)</b>	
<b>User ID</b>	<b>Product</b>	<b>Product installed in file pool</b>	<b>Product installed on minidisk</b>	<b>Product installed in file pool</b>	<b>Product installed on minidisk</b>
MAINT <sup>1</sup>	VM	800	800	1152000	1152000
GSKADMIN <sup>2</sup>	TCPIP	5	5	7200	7200
CBDIODSP <sup>2</sup>	VMHCD	940	940	1353600	1353600
<sup>1</sup> 7.1 to 7.3 and 7.2 to 7.3 upgrades <sup>2</sup> 7.1 to 7.3 upgrade only					

**What to do next**

Go to [Chapter 24, “Set up for upgrade,”](#) on page 227.

## Multi-member upgrade installation worksheets

Table 22. Multi-Member Upgrade Installation Worksheet 1

Current System Information:		
System configuration file:		
Name: _____	User ID: _____	Address: _____
Do you edit your CP directory file manually? _____		
If <b>yes</b> , CP directory file:		
Name: _____	User ID: _____	Address: _____

Table 23. Multi-Member Upgrade Installation Worksheet 2

Installation Volumes for Member 1 Work System:				
Volume Type	Default Label	New Label	First Address	Thissys Address
COMMON	IBMCM1			
RELEASE	730RL1			
RELEASE*	730RL2			
RES	IBMRES			

\* Depending on your planning choices, you might or might not need this volume.

Table 24. Multi-Member Upgrade Installation Worksheet 3

Additional Space Needed on Current System:						
Space is needed in your existing environment to create minidisks for the following user IDs:						
<b>MEMBER volume(s):</b>						
User ID	Product	Location (M/F)	Minimum	Label	Start	End
MAINT <sup>1</sup>	VM					
GSKADMIN <sup>2</sup>	TCPIP					
CBDIODSP <sup>2</sup>	VMHCD					

<sup>1</sup> 7.1 to 7.3 and 7.2 to 7.3 upgrades  
<sup>2</sup> 7.1 to 7.3 upgrade only



---

## Chapter 24. Set up for upgrade

### **In this chapter, you will:**

- Run INSTPROC.
- Attach the upgrade installation work system volumes.
- Run INSTPLAN.

## Step 1. Run INSTPROC

---

**Before you begin:** You should have completed worksheets 1 through 3 in “Multi-member upgrade installation worksheets” on page 225). If you have not done so, return to [Chapter 23, “Plan your upgrade installation for members 2, 3, and 4,”](#) on page 215.

1. Log on to the MIGMAINT user ID on the system that is being upgraded. Make sure the user ID meets the MIGMAINT user ID requirements in substep “2” on page 216.
2. From the MIGMAINT user ID, link and access the MAINT730 222 disk.

```
link maint730 222 222 rr
Ready; T=n.nn/n.nn hh:mm:ss

access 222 c
DMSACP723I C (222) R/O
Ready; T=n.nn/n.nn hh:mm:ss
```

3. Run INSTPROC to populate the 24CC and 2CF0 minidisks.

```
instproc
IUGIPR8392I INSTPROC EXEC ended successfully
Ready; T=n.nn/n.nn hh:mm:ss
```



## Step 2. Attach the upgrade installation work system volumes

---

From the MIGMAINT user ID on the system that is being upgraded:

1. Attach the COMMON, RES, and MEMBER (if any) work system volumes listed on multi-member upgrade installation worksheet 2 (Table 23 on page 225) to MIGMAINT. Enter the following ATTACH command for each volume, using the addresses of the volumes on this system (that you recorded in the Thissys column):

```
attach dasdaddr *  
DASD dasdaddr ATTACHED TO userid dasdaddr  
:  
Ready; T=n.nn/n.nn hh:mm:ss
```

## Step 3. Run INSTPLAN

1. From the MIGMAINT user ID, verify that the installation tools minidisk, 24CC, is accessed as C:

```
query disk c
LABEL  VDEV M   ...
MNTxxx 24CC C   ...
Ready; T=n.nn/n.nn hh:mm:ss
```

2. Run INSTPLAN with the UPGRADE operand.

```
instplan upgrade
```

The installation planning panels are displayed.

```
*** z/VM UPGRADE - EXISTING ENVIRONMENT INFORMATION ***
System Type: SSI      System/Member Name: name      Cluster Name: name
Members in this cluster:
  SLOT #    MEMBER NAME    RELEASE LEVEL
  -----
   1        Member1        vtm
   2        Member2        vtm
   3        Member3        vtm
   4        Member4        vtm
Common Service Filepool Name: fpname
Current z/VM Product Information for name:
  COMPONENT LOCATION  ENABLEMENT      COMPONENT LOCATION  ENABLEMENT
  -----
  VM        Minidisk
  ICKDSF    Filepool
  RACF      Filepool  ENABLED
  TCPIP     Filepool
  DIRM      Filepool
  PERFTK    Filepool  ENABLED
  RSCS      Filepool  ENABLED
  VMHCD     Filepool
F1 = HELP      F3/12 = QUIT      F5 = Process      ENTER = Refresh
```

Figure 17. z/VM Upgrade - Existing Environment Information Panel

The Existing Environment Information panel is displayed. Review this information to verify that this is the system you intend to upgrade.

- a. System Type is SSI and the other fields displayed are Member Name, which contains the name of the member being upgraded, and Cluster Name, which contains the name of the SSI cluster.
- b. The Members in this Cluster fields are displayed. For each member in the cluster, the slot number, member name, and current release level of that member are displayed.
- c. The Common Service Filepool Name field contains the name of the common service file pool, as defined to the system being upgraded. This is the IBM default name VMPSFS or the name you selected in ICOMDIR NAMES to map your file pool name to the file pool nickname VMPSFS.
- d. The Current z/VM Product Information field displays the z/VM pre-installed products and where they are installed (file pool or minidisk). It also indicates which products are enabled or disabled. A blank in this field indicates that Enabled or Disabled does not apply to that product.
- e. Press F5 to continue if this is the system you intend to upgrade.

```
F5
```

3. The License Validation panel will only be displayed if you have optional features enabled on your current system. If you do, a list of the features that are enabled will be displayed. Upgrade installation will enable these same features on the new level of z/VM. Confirm that you have all the necessary licenses for each optional feature. If you do not have any optional features enabled on your system, the license validation panel will not be displayed and you should skip to substep “4” on page 231.

```

*** z/VM UPGRADE - LICENSE VALIDATION ***

Upgrade Installation will automatically enable the same features for your
new system that are enabled on your current system. The features that are
enabled on your current system are listed below. The new features must be
appropriately licensed for all machines that will run your new system.

If you have ordered these features and accept the licensing terms and
conditions, press F5 to acknowledge your agreement and acceptance of the
terms and conditions. If you are accepting these terms on behalf of
another person or company or other legal entity, you represent and
warrant that you have full authority to bind that person, company, or legal
entity to these conditions.

If you do not agree to these terms, or you do not have licenses for all the
features listed below, press F3 to cancel the installation.
DirMaint:    ENABLED
PERFTK:     ENABLED
RACF:       ENABLED
RSCS:       ENABLED

F1 = HELP      F3/12 = QUIT      F5 = I Agree

```

Figure 18. z/VM Upgrade - License Validation Panel

- This panel shows which z/VM components and features are enabled on the system that is being upgraded. You must verify that you have appropriate licenses for each of these components and features for the release to which you are upgrading.
- Press F5 to agree that you have appropriate licenses on the new release of z/VM.

F5

If you do not have all of the required licenses, press F3 or F12 to exit. After you have obtained the necessary licenses, rerun the upgrade procedure

4. Complete the User Supplied Environment Information panel using the information you entered on multi-member upgrade installation worksheet 1 (Table 22 on page 225).

```

*** z/VM UPGRADE - USER SUPPLIED ENVIRONMENT INFORMATION ***

Enter your work system DASD size
X FBA DASD  6.0

If you changed the name or location of your system configuration file,
change the values below.
System Configuration Name: SYSTEM  CONFIG  User ID: PMAINT  Addr: CF0

Do you edit your CP user directory file manually?
_ YES User Directory Name: USER  DIRECT  User ID: PMAINT  Addr: 2CC
_ NO

```

Figure 19. z/VM Upgrade - User Supplied Environment Information Panel

- The Enter your work system DASD size. field will display the installation DASD type and size for the work system from the first system that was upgraded.
- The System Configuration Name fields are preloaded with the default file name, file type, and location of the file as shipped by IBM. If the system you are upgrading changed any of these values, enter the actual file name, file type, and location of your system configuration file.

### Step 3. Run INSTPLAN

- c. If you recorded NO on the "Do you edit your CP directory file manually?" line on multi-member upgrade installation worksheet 1 (Table 22 on page 225), enter a nonblank character in front of NO.
- d. If you recorded YES on the "Do you edit your CP directory file manually?" line on multi-member upgrade installation worksheet 1 (Table 22 on page 225), enter a nonblank character in front of YES. If you have changed the defaults shipped by IBM, update the file name, file type, and location of your user directory with the actual file information.
- e. Press F5 to process your selections.

F5

5. Complete the Validation of Work System Volumes panel using the information you entered on multi-member upgrade installation worksheet 2 (Table 23 on page 225).

```
*** z/VM UPGRADE - VALIDATION OF WORK SYSTEM VOLUMES ***

TYPE          LABEL          First          Thissys        ADDRESS
=====      =====      =====      =====      =====
COMMON        IBMCM1          ----          ----
RELEASE       730RL1         ----          ----
MEMBER        IBMRES         ----          ----

Review the addresses for each of the volume labels that were
selected when the first upgrade work system was installed.

For any volume with an address status of mismatch-verify:
Verify that the address on the first upgrade system (FIRST)
and the address on this system (Thissys) are referring to
the same physical DASD volume.

If all the volumes with Mismatch-verify status are referring to the
volumes from the first upgrade work system, press F5 to continue.

If any volumes with Mismatch-verify status are not referring to the same
physical volumes on the first system and this system, press F3 to quit.
Resolve the problem and rerun INSTPLAN.

F1 = HELP      F3/F12 = QUIT   F5 = Verified  ENTER = Refresh
```

Figure 20. z/VM Upgrade - Validation of Work System Volumes Panel

- a. Review the addresses for each of the volume labels that were selected when the first upgrade work system was installed.
  - b. For any volume with an address status of Mismatch-verify: Verify that the address on the first upgrade system (FIRST) and the address on this system (Thissys) are referring to the same physical DASD volume.
  - c. If any of the volumes with Mismatch-verify status are not referring to the same physical volumes on the first system and this system, press F3 to quit. Resolve the problem and run INSTPLAN again.
  - d. If all of the volumes have a status of Match or if all of the volumes with a status of Mismatch-verify are referring to the same DASD volumes from the first upgrade work system, press F5 to continue.
6. Complete the Additional Space Requirements panel.

```

*** z/VM UPGRADE - ADDITIONAL SPACE REQUIREMENTS ***

Space is needed in your existing environment to load minidisks for the
following user IDs.  Supply the volume label and free space on each volume.

MEMBER VOLUME
USER ID  MINIMUM  LABEL    START    END
-----  -
MAINT    nnnn    -----  -----  -----
GSKADMIN nnnn    -----  -----  -----
CBDIODSP nnnn    -----  -----  -----

F1 = HELP      F3/12 = QUIT   F5 = Process   ENTER = Refresh

```

Figure 21. z/VM Upgrade - Additional Space Requirements Panel

- a. Using multi-member upgrade installation worksheet 3 (Table 24 on page 225), fill in:
  - The labels of the volumes where the space for each user ID will be allocated.
- b. If you edit your CP user directory file manually, using multi-member upgrade installation worksheet 3 (Table 24 on page 225), fill in:
  - The starting cylinder or block where the minidisks for this user ID will be defined.
  - The ending cylinder or block where the minidisks for this user ID will be defined.
  - The space available between the START and END values must be equal to or larger than the value displayed in the MINIMUM column.
- c. Press F5 to process.

F5

7. A summary of your upgrade information is displayed. The output you see may be different due to your planning choices and your current system environment. Review the output displayed to verify your planning choices. If any of the information displayed is not correct, rerun the INSTPLAN command and supply corrected information.

### Step 3. Run INSTPLAN

```
IUGPUX8475I System upgrade information
Existing member information:
      {System|Member} being upgraded:  name      (Member 1 of n)
      System type:                      stype
      Cluster name:                      cname

      Common service filepool: fpname

      System Config location:  userid addr
      System Config filename: filename filetype

      Edit directory:           {YES|NO}
      User directory location:  userid addr
      User directory filename:  filename filetype

      z/VM products/features enabled: products

Additional space requirements:

MEMBER      USER ID      MIN      LABEL      START      END
Space      -----      -
          MAINT          nnnn     label      nnnn       nnnn
          GSKADMIN       nnnn     label      nnnn       nnnn
          CBDIODSP       nnnn     label      nnnn       nnnn

Work system information:
Work system type: REUSE
DASD size selected: type - size
Format volumes: y/n
Volume labels and addresses:
lblcm1 addr
lblrl1 addr
lblrl2 addr
lblres addr
lblspl addr
lblpag addr

IUGINP8392I INSTPLAN EXEC ended successfully
Ready; T=n.nn/n.nn hh:mm:ss
```

8. Verify that the information listed in the response from the INSTPLAN command matches the system you are upgrading and the information listed on your upgrade installation worksheets.

### What to do next

Go to [Chapter 25, “Run INSTUPGR,”](#) on page 235.

---

## Chapter 25. Run INSTUPGR

### **In this chapter, you will:**

- Create a backup copy of the system that is being upgraded.
- Run INSTUPGR to create the STAGE1 changes file.
- Run INSTUPGR to make the STAGE1 changes.
- Stop your production workload and back up your system.
- Run INSTUPGR to create the STAGE2 changes file.
- Run INSTUPGR to make the STAGE2 changes.

## **Step 1. Create a backup copy of the system being upgraded**

---

Before you begin to upgrade your system, use your normal backup procedures to create a backup copy of the system to be upgraded.

Make sure you have backup copies of your user directory (USER DIRECT) and your system configuration files (SYSTEM CONFIG).

- If you are *not* using a directory manager program:
  - Make a backup copy of your user directory file (the default file is USER DIRECT).
- If you *are* using a directory manager program:
  - Create and save a flat-file backup of your current user directory.
    - If you are using DirMaint, use the following commands to generate and retrieve the file:

```
DIRM BACKUP  
DIRM SEND USER BACKUP
```

- By default, the SYSTEM CONFIG file is located on the PMAINT CF0 minidisk. Link and access this minidisk and then copy SYSTEM CONFIG to SYSTEM BACKUP (or some similarly-named file).

If updates are made to the system being upgraded that cannot be backed out, this backup can be used to restore the system to the state it was in before the installation upgrade STAGE1 procedure started.



## Step 2. Generate the STAGE1 table

---

1. Make sure any user IDs that have write links to the system inventory and service disks (such as PMAINT, MAINT, MAINT710, MAINT720, and MAINT730) and product installation IDs 7VMxxx10, 7VMxxx20, and 7VMxxx30 are logged off of the system you are upgrading and all other members of your cluster before logging on to MIGMAINT.
2. Log on to the MIGMAINT user ID on the system being upgraded. Make sure the user ID meets the MIGMAINT user ID requirements in substep “2” on page 216.
3. Access the 24CC minidisk as file mode C.

```
access 24cc c
Ready; T=n.nn/n.nn hh:mm:ss
```

4. Run INSTUPGR to generate the \$STAGE1\$ \$TABLE\$ file, which will list the STAGE1 changes needed to upgrade your system.

```
instupgr stage1 (prime
IUGUPG8392I INSTUPGR ended successfully
Ready; T=n.nn/n.nn hh:mm:ss
```

5. If any errors occur, review the error messages in the INSTUPGR \$CONSLOG file on the MIGMAINT 2CF0 minidisk (accessed as filemode E), correct the condition that is causing the error, and then go back to substep “4” on page 237. (The most current messages are at the bottom of the file.)
6. If INSTUPGR completes with no errors, but does have warnings, they will be displayed on the screen and also logged in the \$STAGE1\$ \$WRNFILE file on the MIGMAINT 2CF0 disk (accessed as filemode E). Review the warnings and resolve any issues before continuing.

## Step 3. Use INSTUPGR to make your STAGE1 system changes

---

From the MIGMAINT user ID on the system that is being upgraded:

1. Make sure the user ID meets the MIGMAINT user ID requirements in substep “2” on page 216.
2. Access the 24CC minidisk as file mode C.

```
access 24cc c
Ready; T=n.nn/n.nn hh:mm:ss
```

3. Run the INSTUPGR command to upgrade your system with STAGE1 changes defined in the \$STAGE1\$ \$TABLE\$ file. If you want to make the changes manually, see [Appendix O, “Update your current system manually with the STAGE1 changes,”](#) on page 299.

```
instupgr stage1 (commit
Now processing line 10 of nnn
Now processing line 20 of nnn
:
IUGUPG8392I INSTUPGR ended successfully
Ready; T=n.nn/n.nn hh:mm:ss
```

4. If any errors occur, review the error messages in the INSTUPGR \$CONSLOG file on the MIGMAINT 2CF0 minidisk (accessed as filemode E), correct the condition that is causing the error, and then go back to substep “3” on page 238.

**Note:** For some error conditions, you may need to remove the changes that have been made on your system up to this point. If this is the case, see [Appendix S, “Removing changes made by STAGE1 \(optional\),”](#) on page 339.

5. The user directory needs to be brought online for all members of the cluster.
  - a. If you indicated that you xedit your directory and allowed INSTUPGR to make the directory changes, you need to run DIRECTXA on all other members of the cluster.
  - b. If you used DirMaint as your directory manager to make upgrade changes, the directory was already brought online for all members.
  - c. If you used a different directory manager or made the directory updates manually, you need to make sure the directory is brought online for all other members of the cluster.
6. **Log off MIGMAINT.**

## Step 4. Prepare to run the second stage of upgrade

You are now ready to run the second stage of upgrade. In STAGE2, the new release code will be moved into production. You should shut down all your production workloads on the system you are upgrading (stop application servers, have end users log off, and so on) or move your production workload to another member of your SSI cluster.

You must *not* shut down your shared file system servers, and you must *not* shut down your directory manager or security manager servers, if you are running these products.

After you have shut down or relocated your production workload, you should create a backup of your system. STAGE2 processing will modify the following disks:

CBDIODSP	400	MAINT730	51D
MAINT	190	PERFSVM	201
MAINT	193	PMAINT	41D
MAINT	19D	RACFVM	305
MAINT	19E	RACFVM	490
MAINT	402	RSCS	401
MAINT	990	RSCS	403
MAINT	CF1	TCPMAINT	591
MAINT	CF3	TCPMAINT	592
MAINT710	CF2	VMSERVER	191
MAINT720	CF2	VMSERVS	191
MAINT710	51D	VMSERVU	191
MAINT720	51D		

Because backing out STAGE2 requires that you restore the backup copy of your system, you should *not* make any directory or security changes on any member of your SSI cluster after you create your backup.

Make sure you have backup copies of your user directory (USER DIRECT) and your system configuration files (SYSTEM CONFIG).

- If you are *not* using a directory manager program:
  - Make a backup copy of your user directory file (the default file is USER DIRECT).
- If you *are* using a directory manager program:
  - Create and save a flat-file backup of your current user directory.
    - If you are using DirMaint, use the following commands to generate and retrieve the file:

```
DIRM BACKUP
DIRM SEND USER BACKUP
```

- By default, the SYSTEM CONFIG file is located on the PMAINT CF0 minidisk. Link and access this minidisk and then copy SYSTEM CONFIG to SYSTEM BACKUP (or some similarly-named file).

**Note:** After you have created your backup, do not restart your production workloads on the member you are upgrading until you have completed your upgrade.

## Step 5. Generate the STAGE2 table

### To generate the STAGE2 table, follow these steps:

1. Make sure any user IDs that have write links to the system inventory and service disks, such as MAINT, MAINT710, MAINT720, and MAINT730, and product installation IDs 7VMxxx10, 7VMxxx20, and 7VMxxx30 are logged off of the system you are upgrading and all other members of your cluster before logging onto MIGMAINT.
2. Log on to the MIGMAINT user ID on the system being upgraded. Make sure the user ID meets the MIGMAINT user ID requirements in substep “2” on page 216. You must log off of MIGMAINT after STAGE1 processing is complete and log back on to MIGMAINT before running STAGE2 processing.
3. Access the 24CC minidisk as file mode C:

```
access 24cc c
Ready; T=n.nn/n.nn hh:mm:ss
```

4. Run INSTUPGR to generate the \$STAGE2\$ \$TABLE\$ file, which will list the STAGE2 changes needed to upgrade your system. If you have not logged off non-essential user IDs, you will receive message IUGUPG8541 regarding users you might want to log off. Follow the instructions provided in the message.

```
instupgr stage2 (prime

IUG2FC8535I Creating temporary work copy of MAINT 190 minidisk
z/VM DASD DUMP/RESTORE PROGRAM
COPYING MNT190
COPYING DATA 09/06/22 AT 20.33.21 GMT FROM MNT190 TO MNT190

INPUT {CYLINDER|BLOCK} EXTENTS      OUTPUT {CYLINDER|BLOCK} EXTENTS
      START      STOP                START      STOP
          0      nnnn                  0      nnnn

END OF COPY
END OF JOB

IUGUPG8392I INSTUPGR ended successfully
Ready; T=n.nn/n.nn hh:mm:ss
```

5. If any errors occur, review the error messages in file INSTUPGR \$CONSLOG on MIGMAINT's 2CF0 minidisk (accessed as filemode E), correct the condition that is causing the error, and then go back to substep “4” on page 240. (The most current messages are at the bottom of the file.)
6. If INSTUPGR completes with no errors, but does have warnings, they will be displayed on the screen and also logged in the file \$STAGE2\$ \$WRNFILE on MIGMAINT's 2CF0 disk (accessed as file mode E). Review the warnings and resolve any issues before continuing.

You might get warning messages regarding the DirMaint help files. You can ignore these messages.

**Note:** During the next step, the IBM-supplied file pools - VMSYS, VMSYSR, VMSYSU, and VMPSFS - are restarted.

## Step 6. Use INSTUPGR to make your STAGE2 system changes

1. Log on to the MIGMAINT user ID on the system being upgraded. Make sure the user ID meets the MIGMAINT user ID requirements in substep “2” on page 216.
2. Access the 24CC minidisk as file mode C.

```
access 24cc c
Ready; T=n.nn/n.nn hh:mm:ss
```

3. Run the INSTUPGR command to upgrade your system with STAGE2 changes defined in the \$STAGE2\$ \$TABLE\$ file. If you want to make the changes manually, see Appendix P, “Update your current system manually with the STAGE2 changes,” on page 303. If you have not logged off non-essential user IDs, you will receive message IUGUPG8541 regarding users you might want to log off. Follow the instructions provided in the message.

```
instupgr stage2 (commit
Now processing line 10 of nnn
Now processing line 20 of nnn
:
IUGUPG8529I The 190 disk on the current system has been upgraded.
IUGUPG8529I You must IPL the 190 disk to reaccess the new files,
IUGUPG8529I To complete commit processing:
IUGUPG8529I IPL 190 PARM AUTOOCR
IUGUPG8529I ACCESS 24CC C
IUGUPG8529I and then re-issue:
IUGUPG8529I INSTUPGR STAGE2 (COMMIT
Ready; T=n.nn/n.nn hh:mm:ss
```

4. If any errors occur, review the error messages in file INSTUPGR \$CONSLOG on MIGMAINT's 2CF0 minidisk (accessed as filemode E), correct the condition that is causing the error, and then go back to substep “3” on page 241.
5. IPL the 190 disk to reaccess the files on your updated 190 disk. You might receive messages DMSWSP327I and DMSDCS1083E, related to segments. These messages can be ignored.

```
ipl 190 parm autocr
:
Ready; T=n.nn/n.nn hh:mm:ss
```

6. Access the 24CC minidisk as filemode C.

```
acc 24cc c
Ready; T=n.nn/n.nn hh:mm:ss
```

7. Reissue INSTUPGR to finish upgrading your system with STAGE2 changes defined in the \$STAGE2\$ \$TABLE\$ file.

```
instupgr stage2 (commit
Now processing line 10 of nnn
Now processing line 20 of nnn
:
IUGUPG8392I INSTUPGR ended successfully
Ready; T=n.nn/n.nn hh:mm:ss
```

8. If any errors occur, review the error messages in the INSTUPGR \$CONSLOG file on MIGMAINT's 2CF0 minidisk (accessed as file mode E), correct the condition that is causing the error, and then go back to substep “7” on page 241.

**Note:** Do *not* run SERVICE RESTART.

## Step 6. Use INSTUPGR to make your STAGE2 system changes

### What to do next

Go to [Chapter 26, “Finish your upgrade installation,”](#) on page 243.

---

## Chapter 26. Finish your upgrade installation

### **In this chapter, you will:**

- Review directory considerations.
- Review *sysname* \$WRNFILE messages.
- Shut down and IPL your upgraded system.
- Complete your upgrade.

### Step 1. Review directory considerations

---

1. The user directory needs to be brought online for all members of the cluster.
  - a. If you indicated that you edit your directory and allowed INSTUPGR to make the directory changes, you need to run DIRECTXA on all other members of the cluster.
  - b. If you used DirMaint as your directory manager to make upgrade changes, the directory was already brought online for all members.
  - c. If you used a different directory manager or made the directory updates manually, you need to make sure the directory is brought online for all other members of the cluster.
2. If you disabled minidisk password checking before starting the upgrade installation, you should verify that the disks added to the directory have minidisk passwords that adhere to your password guidelines, then re-enable minidisk password checking.

New minidisks added:

- If you are upgrading from z/VM 7.1 or 7.2 to z/VM 7.3:

- MAINT 19B
- MAINTCSM 1190
- MAINTCSM 1590
- MAINTCSM 1890

3. The following minidisks were increased in size during INSTUPGR STAGE2 processing. Depending on how you have your security manager configured, moving a minidisk could affect security authorizations. You should verify that the security authorizations for these minidisks are still correct.
  - If you are upgrading from z/VM 7.1 to z/VM 7.3:

- CBDIODSP 400
- GSKADMIN 191



## Step 2. Review *sysname* \$WRNFILE messages

---

**Note:** If the PARTNOTIFY keyword entries were done manually, you were instructed to make a note of the messages received, to be addressed after the upgrade was complete. This is the point at which you should make any necessary changes.

1. Log on to the MIGMAINT user ID on the system being upgraded.
2. Access the 2CF0 minidisk as file mode E.

```
access 2cf0 e
Ready; T=n.nn/n.nn hh:mm:ss
```

3. Review the *sysname* \$WRNFILE file on the 2CF0 disk (where *sysname* is the system name of the system you are upgrading).

The *sysname* \$WRNFILE file might contain the following messages:

**IUG2EX8536W**

A customizable file was not copied because the target disk could not be obtained in write mode. Access the source and target disks and copy the file.

**IUG2EX8555W**

A customizable file that was changed on your current system from the IBM default has been updated by IBM on the new release. Review the current and new files and merge your current file with the new file updated by IBM.

4. If the *sysname* \$WRNFILE contains any of these messages, review the actions described in [z/VM: CP Messages and Codes](#) and decide if you need to make any additional changes to your upgraded system before moving to the next step.

### Step 3. Shut down and IPL your upgraded system

---

1. If you are not running with a security manager:
  - a. Shut down this system or member.
  - b. IPL the upgraded system or member.
  - c. Go to [“Step 4. Complete your upgrade”](#) on page 248.
2. If you are running with a security manager other than RACF/VM:
  - a. Consult the documentation for your security manager to see if there are any special requirements before IPLing.
  - b. Shut down this system or member.
  - c. IPL the upgraded system or member.
  - d. Go to [“Step 4. Complete your upgrade”](#) on page 248.
3. If you are running with the RACF/VM security manager, note that the test disks for RACF/VM were updated with the new level of code. To complete the upgrade of RACF/VM, you will need to perform the following steps:
  - a. Log on to OPERATOR on the system you are upgrading and force RACFVM.

```
FORCE RACFVM
```

- 
- 
- 
- b. Use the XAUTOLOG command to log on the test RACF/VM server, RACMAINT:

```
XAUTOLOG RACMAINT
```

- 
- 
- 
- 
- c. Disconnect from OPERATOR.
- d. Log on to the MIGMAINT user ID on the system you are upgrading.
- e. Using DDR and VMFCOPY, copy the RACF/VM test build disks to the RACF/VM production disks:
  - i) Use DDR to copy the 7VMRAC30 590 disk to the RACFVM 490 disk:

```
LINK 7VMRAC30 590 1590 RR
LINK RACFVM 490 1490 MR
DDR
  SYSPRINT CONS
  INPUT 1590 DASD RAC590
  OUTPUT 1490 DASD RCF490
  COPY ALL
  ENTER
ACCESS 1490 G
FORMAT 1490 G (LABEL
RCF490
QUERY DISK G
RELEASE G (DETACH
DETACH 1590
```

- 
- 
- 
- 
- 
- 
- 
- ii) Use VMFERASE and VMFCOPY to update the RACFVM 305 disk:

```
LINK 7VMRAC30 505 1505 RR
LINK RACFVM 305 1305 MR
ACCESS 1505 G
ACCESS 1305 H
VMFERASE PROD 7VMRAC10%RACF FROM H or VMFERASE PROD 7VMRAC20%RACF FROM H
VMFCOPY * * G = = H (PRODID 7VMRAC30%RACF SPRODID 7VMRAC30%RACF OLDDATE REPLACE
RELEASE G (DETACH
RELEASE H (DETACH
```

- 
- 
- 
- 
- 
- 
- 
- 
- f. Shut down your system. Do not use the SHUTDOWN REIPL command.
- g. IPL the upgraded system.

- h. While logged on to an authorized user ID such as OPERATOR, force RACFVM.
- i. XAUTOLOG RACMAINT.
- j. Log on to MAINT730.
- k. Run PUT2PROD for RACF:

```
put2prod racf
```

- l. Log off MAINT730.
- m. Log on to OPERATOR and restart the production RACF server, RACFVM:

```
LOGON OPERATOR  
FORCE RACMAINT  
XAUTOLOG RACFVM
```

### Step 4. Complete your upgrade

---

1. Review the latest installation information in the Preventive Service Planning (PSP) bucket to make sure all required tasks are completed.
2. The SAPL record on the IPL volume was *not* rewritten with the z/VM 7.3.0 level of SALIPL. This will result in the SAPL screen displaying z/VM 7.1.0 or 7.2.0. If you want the release that is displayed on the SAPL screen to be upgraded to z/VM 7.3.0, rewrite your SALIPL record using the z/VM 7.3.0 level of the SALIPL MODULE. See Chapter 2, "Using the Stand-Alone Program Loader", in [z/VM: System Operation](#) for information about rewriting the SALIPL record.
3. Update the TCP/IP server configuration file (PROFILE TCPIP, or its equivalent) to include the MAINT730 user ID as a TCP/IP administrative user ID listed for the OBEY statement. By default, this configuration file is maintained on the TCPMAINT 198 minidisk.
4. z/VM includes a stand-alone dump utility that you tailor according to your installation's configuration. After you install z/VM, you should create the stand-alone dump utility and place it on DASD for emergency use. If, after a system failure, CP cannot create an abend dump, you can use the stand-alone dump on DASD to dump all of real storage.

For instructions on creating a stand-alone dump utility, see Chapter 12, "The Stand-Alone Dump Utility", in [z/VM: CP Planning and Administration](#).

**Note:** Do not use a stand-alone dump utility created from a previous release of z/VM to attempt to dump your 7.3 system.

5. If you added links in existing user definitions to disks owned by current release-specific user IDs, such as MAINT710, 7VMTCP10, 7VMDIR10, MAINT720, 7VMTCP20, or 7VMDIR20, you need to evaluate if any of these links need to be updated in the existing user definitions for the new release-specific user IDs, such as MAINT730, 7VMTCP30, and 7VMDIR30.
6. Use your normal backup procedures to create a backup copy of your current system.
7. The CPB730 MODULE file was copied to the MAINT CF1 minidisk. This is the z/VM 7.3 GA base CPMODULE. The old release CPBASE MODULE should be erased from the MAINT CF1 minidisk and you should rename CPB730 MODULE to CPBASE MODULE.
8. Changes were made to the size of the following disks. If you have not done so already, update the size of these disks in your user directory.
  - a. For the member that is being upgraded:

```
DIRMSAT 155 (3390: 20 cyl; FBA: 28800 blocks)
DATAMOVE 155 (3390: 20 cyl; FBA: 28800 blocks)
```

#### What to do next

- If you have additional members to upgrade, repeat Chapters 23 through 26 for each member, when you are ready to upgrade.
- If this is the last member of your SSI, go to [Chapter 27, "Perform post-upgrade tasks,"](#) on page 249.

---

## Chapter 27. Perform post-upgrade tasks

### **In this chapter, you will:**

- Perform post-upgrade tasks.
- Remove the obsolete release.

### Step 1. Perform post-upgrade tasks

---

1. After the last member has been upgraded, all of the volumes used to install the work system (except the release volumes: 730RLx) can be returned to the DASD pool.
2. For backout purposes, the following disks that were deleted or moved during the upgrade installation process were not formatted to remove residual data.

After the system has been upgraded, to remove residual data, you might want to format the extents where these minidisks were defined before the system was upgraded.

The original disk extents can be found in the backup you created of your user directory.

- If you are upgrading from z/VM 7.1 or 7.2 to z/VM 7.3:

- Disks deleted:

- IDENTITY MAINT 401

- Disks with size change:

- IDENTITY CBDIODSP 400

- IDENTITY GSKADMIN 191

3. z/VM 730 supports up to 8 members in an SSI cluster. Now that all members of your SSI cluster have been upgraded to z/VM 730, you can increase the size of your cluster by using the procedures described in Chapter 34, "Adding a Member to a z/VM SSI Cluster by Cloning an Existing Member" and Chapter 35, "Adding Members to a 4-Member SSI Cluster", in *z/VM: CP Planning and Administration*.

## Step 2. Remove the obsolete release

If this was the last member to be upgraded from the prior release, when you are sure you will no longer be using the prior release, you can delete resources associated with the prior release.

1. The user IDs associated with the prior release level of the products that will no longer be used can be removed from the user directory and from the VMPSFS and VMSYS file pools:

```
MAINT710 or MAINT720
7VMDIR10 or 7VMDIR20
7VMPTK10 or 7VMPTK20
7VMRAC10 or 7VMRAC20
7VMRSC10 or 7VMRSC20
7VMTCP10 or 7VMTCP20
7VMHCD10 or 7VMHCD20
6VMLEN20
```

2. The following user IDs are no longer shipped with z/VM and can be deleted from the user directory and from the VMPSFS and VMSYS file pools when they are no longer needed:

```
IMAP
IMAPAUTH
```

3. If you no longer need to run OSASF and you did not migrate it to z/VM 7.3, you can delete the following user IDs:

```
4OSASF40
OSADMIN1
OSADMIN2
OSADMIN3
OSAMAIN
OSASF
```

If you did migrate OSASF to z/VM 7.3 (in Chapter 21, “[Step 5. Migrate Licensed Product Inventory Files](#)” on page 198) but you no longer need it, you will need delete the user IDs and also remove OSASF information from the VMSES/E inventory files.

Log on to MAINT730 and perform the following steps:

- a. Make sure you have the PROPID, component name, and PPF name for your installation of OSASF. The PROPID should be 4OSASF40. The component name (*compname*) is OSA or OSASF. The PPF name (*ppfname*) is SERVP2P or 4OSASF40.

To check the VM SYSSUF table and verify which component name and PPF name to use, enter:

```
VMFUPDAT SYSSUF
```

- b. Delete the information for OSASF from the VM system inventory files by entering the following VMFSIM MODIFY commands, substituting your *ppfname* and *compname*, as appropriate:

```
VMFSIM MODIFY VM SYSAPPS D TDATA :PPF ppfname compname (DELETE
VMFSIM MODIFY VM SYSBLDS D TDATA :PPF ppfname OSA (DELETE
VMFSIM MODIFY VM SYSRECS D TDATA :PPF ppfname compname (DELETE
VMFSIM MODIFY VM SYSDSCT D TDATA :PPF ppfname OSA (DELETE
VMFSIM MODIFY VM SYSDSCT D TDATA :PPF ppfname OSASF (DELETE
VMFSIM MODIFY VM SYSREQT D TDATA :PROPID 4OSASF40%OSA (DELETE
VMFSIM MODIFY VM SYSREQT D TDATA :PROPID 4OSASF40%OSASF (DELETE
VMFSIM MODIFY VM SYSSUF D TDATA :PROPID 4OSASF40%compname (DELETE
```

If OSASF was installed to SFS (*compname* is OSASF), also enter the following command:

```
VMFSIM MODIFY VM SYSBLDS D TDATA :PPF ppfname OSASF (DELETE
```

- c. Erase all files with a file name of 4OSASF40 from the MAINT730 191 and 51D minidisks.

## Step 2. Remove the obsolete release

d. To delete OSASF from the VM SYSPINV file, enter:

```
VMFUPDAT SYSPINV REMOVE PROD 4OSASF40 ALL
```

e. Delete the user IDs that are associated with OSASF, if you haven't done so already:

```
4OSASF40  
OSADMIN1  
OSADMIN2  
OSADMIN3  
OSAMAIN1  
OSASF
```

4. Old release volumes should be checked to see if any required disks remain on the volumes before they are returned to the DASD pool.

5. Any products associated with the prior release that will no longer be used should be set to disabled. Because the old release components have been removed from the VMSES/E control files, you should:

- Use the CP SET PRODUCT command to set the status on your running system.
- Edit the SYSTEM CONFIG file to update the PRODUCT statement to set the old release components to DISABLED or delete the PRODUCT statement.

```
7VMDIR10 or 7VMDIR20  
7VMPTK10 or 7VMPTK20  
7VMRAC10 or 7VMRAC20  
7VMRSC10 or 7VMRSC20
```

6. The system configuration files can be updated to remove the old release volumes and products.

**Note:** When deleting user IDs from the system, you should also make sure that all links to the user IDs you are deleting are also removed from the directory and that all authorizations for the deleted user IDs that might exist in an external security manager (ESM) are removed.



## Appendix A. Determining the RSU level for ordering service

Use the SERVICE command with the STATUS operand to determine the current RSU service level for a component or product. The SERVICE command queries the system-level service update facility (VM SYSSUF) table, which contains a list of all products and components that are installed on the system.

Table 25 on page 253 lists the z/VM preinstalled components, features, and products, in the usual service order.

Table 25. Preinstalled components, features, and products, in preferred service order

Product	Component name
VMSES/E	VMSES
REXX/VM	REXX
Language Environment	LE
CMS	CMS
CP	CP
GCS	GCS
Dump Viewing Facility	DV
TSAF	TSAF
AVS	AVS
RSCS Networking for z/VM	RSCS
TCP/IP for z/VM	TCPIP
Directory Maintenance Facility	DIRM
RACF Security Server for z/VM	RACF
Performance Toolkit for z/VM	PERFTK
HCD and HCM for z/VM	VMHCD

**Before you begin:** You must have the software inventory disk accessed. By default, the software inventory disk is the 51D disk and it is accessed as D.

To determine the RSU level of a component, issue the SERVICE command as follows:

```
service compname status
```

**compname**

A component listed in Table 25 on page 253 or any other component defined in the VM SYSSUF table.

**Example:** In this example, 2001 represents the RSU level that you would use when ordering service for CP.

```
VMFSRV2195I SERVICE CP STATUS
VMFSRV2760I SERVICE processing started
VMFSRV1225I CP (7VMCPR30%CP) status:
VMFSRV1225I   Service Level      RSU-2001
VMFSRV1225I   Production Level   sysname.RSU-2001
VMFSRV2760I SERVICE processing completed successfully
```

## Determining the RSU level for ordering service

For more information, see the SERVICE command in *z/VM: VMSES/E Introduction and Reference*.

## Appendix B. Migrate 51D from the old system

If you used your own procedures to migrate to z/VM 730, you might still want to use the MIGR51D command to migrate program product information from your current system inventory disk to your new system.

You should *not* use this appendix if you used the upgrade installation procedure. If you are performing an upgrade installation, the 51D will be migrated as part of those procedures.

MIGR51D only moves product inventory information. All user IDs and product data must be moved to your new system manually.

To run MIGR51D as an independent activity, complete the steps listed here.

1. Use your site's normal backup procedures to create a backup of the z/VM 7.3 system software inventory disk (default is MAINT730 51D).
2. On your new system, obtain access to the system software inventory files (MAINT or MAINTvrm 51D) on your current system.
  - a. If your new system can be IPLed as a second-level system on your current system:
    - i) Log on to MAINT or MAINTvrm on your current system.
    - ii) Define the current software inventory disk as address FFF.

```
define 51D FFF
DASD 0FFF DEFINED
Ready; T=n.nn/n.nn hh:mm:ss
```

The default software inventory disk is MAINT or MAINTvrm 51D. If your software inventory disk has an address other than 51D, substitute that disk address for 51D.

- iii) IPL the new system second level.
- iv) Disconnect from the operator.
- v) Log on to MAINT730.
- vi) Attach the software inventory disk (defined on your current system user ID as FFF) from your current system.

```
attach FFF *
Ready; T=n.nn/n.nn hh:mm:ss
```

- vii) Access the software inventory FFF minidisk as file mode Z.

```
access FFF z
Ready; T=n.nn/n.nn hh:mm:ss
```

- viii) Access the new system 51D minidisk as file mode D.

```
access 51D d
Ready; T=n.nn/n.nn hh:mm:ss
```

- ix) Access the 493 minidisk as file mode W.

```
access 493 w
Ready; T=n.nn/n.nn hh:mm:ss
```

- b. If your new system is running first level:

- i) See your system programmer for assistance in making a copy of the current system software inventory files accessible on your new system.
- ii) On your new system, create a new minidisk owned by the MAINT730 user ID, FFF, to store the software inventory files from your current system.

## Migrate 51D from the old system

- iii) Send all of the files from the current system 51D to MAINT730 on the new system. You might need to use FTP to send the files, or, if it is installed, you can use RSCS.

If you use FTP, the files can be loaded directly to the new MAINT730 FFF minidisk. After the files are loaded, log on to MAINT730 and access the software inventory FFF minidisk as file mode Z.

If you use RSCS, enter:

```
logon maint730
access FFF z
```

To display all of the files in the reader, enter:

```
rdrlist
```

For each file from the current system 51D, type:

```
receive / = = z
```

on the line, and then press **ENTER**.

- iv) Access the new system 51D minidisk as file mode D.

```
access 51D d
Ready; T=n.nn/n.nn hh:mm:ss
```

- v) Access the 493 minidisk as file mode W.

```
access 493 w
Ready; T=n.nn/n.nn hh:mm:ss
```

### 3. Run MIGR51D to update the system software inventory files.

```
migr51d
IUGMIX8478R Enter the filemode letter of the
Software Inventory disk (51D) from
the previous release. Press enter
to exit.
z
```

The VM Software Inventory Disk (51D) Product Migration panel is displayed.

```
*** VM Software Inventory Disk (51D) Product Migration ***
Set action code AC to D = Do Not Migrate or to M = Migrate product. Action code I means
product is already installed on new 51D and cannot be migrated.
```

AC	Compname	Prodid	Status	Description
M	CCXSFS	5654A22C	BUILT	IBM XL C/C++ for z/VM Compiler in SFS
M	DFSMSVM	VSM221B	BUILT	DFSMSVM FOR VM/ESA 1.2
M	HLASM	5696234J	BUILT	High Level Assembler for z/OS & z/VM & z/VSE
D	AVS	7VMAVS10	APPLIED	AVS component for z/VM 7.1.0
D	CMS	7VMCMS10	APPLIED	CMS component for z/VM 7.1.0
D	CP	7VMCPR10	APPLIED	CP component for Z/VM 7.1.0
D	DIRM	7VMDIR10	BUILT	Install/service DirMaint using minidisk

Page 1 of 3

PF1=HELP PF3/PF12=Quit PF5=Process PF8=Forward

- a. Enter an action code (AC) for each product listed. For information about the panel and action codes, press F1.

**Notes:**

- i) This Product Migration panel is a sample. Your panels will not list the same products, action codes, status, and description.
- ii) Products that are preselected as **D** (Do Not Migrate) should not be changed.
- iii) If a product is not supported on the new z/VM release, you should enter **D** (Do Not Migrate) for that product.
- iv) Before you delete any product, you must determine whether any product that you intend to migrate is dependent on this product. You can use VMFINFO or VMFSIM SYSDEP to determine product dependencies.

- b. Press F8 to select action codes for all Software Inventory Migration panels before continuing to the next step.
- c. On the final panel, press F5 to process the product migration information and display the Segment Migration panel. Depending on the size of your software inventory files, it may take several minutes to process.

```

*** VM Software Inventory Disk (51D) Segment Migration ***

Set action code AC to D = Do Not Migrate or to M = Migrate segment. Action
code P means segment will be migrated due to product migration. If =====
or ***** appears under Segname, enter a new name to change the segment
name upon migration ( ===== Must be changed, ***** May be changed ).

AC Segname      Prodid  Compname      Defparms      Bldparms
-----
P  CCNSEG      Old->  5654A22C  CCXXSFS      3000-7BFF SR  PPF(CCPLUS
   New->
   ***** Mig->  5654A22C  CCXXSFS      3000-7BFF SR  PPF(CCPLUS
D  CMSBAM      Old->  7VMCMS10  CMS          B0D-B37 SR  PPF(SERVP2P
   New->  7VMCMS30  CMS          B0D-B37 SR  PPF(SERVP2P
   ***** Mig->  7VMCMS30  CMS          B0D-B37 SR  PPF(SERVP2P
D  CMSDOS      Old->  7VMCMS10  CMS          B00-B0C SR  PPF(SERVP2P
   New->  7VMCMS30  CMS          B00-B0C SR  PPF(SERVP2P
   ***** Mig->  7VMCMS30  CMS          B00-B0C SR  PPF(SERVP2P
D  CMSFILES   Old->  7VMCMS10  CMS          1900-1BFF SR  PPF(SERVP2P
   New->  7VMCMS30  CMS          1900-1BFF SR  PPF(SERVP2P
   ***** Mig->  7VMCMS30  CMS          1900-1BFF SR  PPF(SERVP2P
                                           Page 1 of 5

PF1=HELP  PF3/PF12=Quit  PF5=Process  PF8=Forward
    
```

- d. Enter an action code for each segment listed. For information about the panel and action codes, press F1.

This Segment Migration panel is only a sample. Your panels will not list the same segments, action codes, status, and description.

**Notes:**

- With z/VM 6.3, segments HELPSEG and NLSAMENG were deleted. If these segments are present on your current system, you should not migrate them.
- With z/VM 7.1, segment NLSKANJI was deleted. If this segment is present on your current system, you should not migrate it.

- e. Press F8 to select action codes for all Software Inventory Segment Migration panels before continuing to the next step.
- f. On the final panel, press F5 to process. Depending on the size of your software inventory files, it could take several minutes to process.

- 4. Release the software inventory disk for your current system (attached as FFF and accessed as filemode Z.

**release z**

5. MIGR51D updated the 7.3 VMSES/E system software inventory files on your new 51D minidisk to reflect the licensed products installed on your old system that you chose to migrate. You might also need to migrate the segments associated with each licensed product reflected in the new system software inventory files. See the documentation for each licensed product for information about the segments required. If none of the products have segments or you are not using them, skip to step “6” on page 258.

If the licensed product segments are built by VMSES/E, you must sign on to MAINT730 and do the following to update some of the other segment files on the system software inventory disk:

- a. Issue VMFSGMAP.

```
vmfsgmap seghld esasegs seghlist
```

At this time, you can make further changes to any segment.

- b. On the first panel, enter:

```
segmerge
```

- c. Press F5 to save your changes and exit from VMFSGMAP.

The VMFSGMAP and SEGMERGE commands only need to be done once, from one user ID. At this point, the appropriate files on the system software inventory disk are updated.

Before you can use the VMFBLD command to build the licensed product segments from the corresponding licensed product installation user IDs. You must first move the user IDs and product data to your new system. After all user IDs and data have been moved, you can use VMSES/E on your new system to build the program product segments. Follow the information in the licensed product program directories.

For example, if you need to rebuild segments for the C/C++ product, you would log on to the C/C++ maintenance ID and enter the following:

```
vmfsetup ccplus ccxx  
vmfbld ppf seghld esasegs seghlist ccnseg (serviced
```

If you receive message VMFBDS2003W indicating that the SYSTEM SEGID file has been updated, you should log on to MAINT730 and enter the following commands to update the MAINT or MAINT<sub>vr</sub>m 190 disk and re-save CMS. For example:

```
link maint 190 190 mr  
acc 190 t  
copy system segid d = = t (olddate replace  
put2prod savecms
```

6. Product inventory migration is complete. If you haven't done so yet, you must now move all user IDs and product data to your new system. Refer to the product program directories for information about user ID and data disks.

---

## Appendix C. Contents of the z/VM system

---

### Products loaded from the z/VM system installation media

---

Products installed on the z/VM system are:

- z/VM
  - Control Program (CP)
  - Dump Viewing Facility (DV)
  - Conversational Monitor System (CMS)
  - REstructured eXtended eXecutor/VM (REXX/VM)
  - Virtual Machine Serviceability Enhancements Staged/Extended (VMSES/E)
  - Group Control System (GCS)
  - Transparent Services Access Facility (TSAF)
  - APPC/VM VTAM® Support (AVS)
  - Language Environment (LE)
  - 3800 Model-3 Printer Image Library
  - UCENG Help - Uppercase English Help minidisk
- Device Support Facilities (ICKDSF)
- Remote Spooling Communications Subsystem (RSCS) Networking for z/VM
- Transmission Control Protocol/Internet Protocol (TCPIP) for z/VM
- Directory Maintenance Facility (DIRM)
- RACF Security Server for z/VM (RACF)
- Performance Toolkit for z/VM (PERFTK)
- Hardware Configuration Definition and Hardware Configuration Manager for z/VM (VMHCD)

---

### CMS defaults

The CMS nucleus was built with a local mod to DMSNGP. This local mod updates the CYLADDR, which defines where to write the CMS nucleus on the System disk (the recomp value).

---

### CP defaults

1. The LOGO CONFIG and SYSTEM CONFIG files are located on the common parameter disk (PMAINT CF0). These files contain the system configuration data used by CP.  

The CP system control file (SYSTEM CONFIG) describes the system residence device (M0xRES) and various system parameters, defining the configuration of your system.
2. For detailed information about the CP system configuration function, CP nucleus options, and CP planning, see *z/VM: CP Planning and Administration*.
3. The CP nucleus on the z/VM system is a module. The module resides on the system parm disks (MAINT CF1 and CF3 disks).
4. The CP nucleus is IPLed with the system default language, mixed-case American English (AMENG) or uppercase English (UCENG), which was selected during installation.
5. The default USER DIRECT file on the PMAINT 2CC minidisk contains entries defining each virtual machine (user) permitted to log on to your system.

## GCS defaults

If there is no machine mode defined for a user ID, the default machine mode definition is ESA. However, issuing the SET MACHINE command overrides the default setting. The USER DIRECT file which was built during installation contains a SET MACHINE XA, SET MACHINE ESA, or SET MACHINE XC command for all user IDs.

6. The USER DIRECT file contains a common profile section, PROFILE IBMDFLT. An INCLUDE statement for this profile has been added to each user ID that previously linked to the AMENG HELP disk (19D). The PROFILE IBMDFLT section contains a link to each HELP disk. Each user you add to the directory that needs access to a HELP disk must have an INCLUDE statement to the PROFILE IBMDFLT section or a LINK statement for each of the three help disks.
7. The USER DIRECT file contains default passwords for all user IDs defined by the installation process. All passwords that are not NOLOG, AUTOONLY, or LBYONLY have been set to the default of WD5JU8QP. Before moving your system into production, you should make sure all passwords conform to your corporate security policies. For a list of IBM-supplied user IDs and their default passwords, see [Appendix N, "IBM-supplied user IDs," on page 297](#).
8. The z/VM system contains system definition files with sample information and default parameters. You can modify the files to define your system configuration. See "Configuring Your System" in [z/VM: CP Planning and Administration](#) for more information.
9. CP ships several CP Sample Utility Programs to help you configure your system once installation is complete. They are located on the MAINT`vr`m 2C2 minidisk or in the VMPSFS:MAINT`vr`m.CPDV.SAMPLE. directory. For more information about these programs, see [Appendix A in z/VM: CP Planning and Administration](#).

## GCS defaults

---

1. The GCS nucleus was built with mixed-case American English (AMENG) as the system default language.
2. The GCS nucleus was built with a system name of GCS and is loaded at storage locations X'400'-X'5FF' and X'1000'-X'11FF'.
3. The GCS nucleus was also built with the following defaults:

### **Default Item**

#### **Description**

### **Saved System Name**

GCS

### **Authorized VM User IDs**

VTAM GCS MAINT NETVIEW OPERATNS RSCS AVSVM PDMREM1 PDMGRP4 SNALNKA PVMG NVAS  
IHVOPER CMEOSI NPM VSCS

### **Saved System Information**

Recovery machine user ID: GCS

User ID to receive storage dumps: OPERATNS

GCS Trace Table Size: 16KB

Common storage above 16MB line (YES or NO): YES

Single user environment: no

Maximum number of VM machines: 14

System ID: GCS

Name of the VSAM segment: CMSVSAM

Name of the BAM segment: CMSBAM

GCS saved system is restricted: yes

Trace table in private storage: yes



**Saved System links**

VTAM NETVSG00

**User IDs needing VSAM storage**

NETVIEW NVAS CMEOSI

## Saved segments on the z/VM system

1. CMS improves system performance and storage usage by placing frequently-used EXECs in the CMS installation segment, CMSINST. CMSINST is a logical segment within the INSTSEG physical segment. If you want to add or delete an EXEC from CMSINST, you should identify the changes to VMSES/E using the local modification procedure. A local modification allows VMSES/E to track the changes and to make sure the CMSINST segment is rebuilt when any of the EXECs in it are serviced. To see a local modification example for CMSINST, see *z/VM: Service Guide*.
2. The QUERY NSS ALL MAP command displays the saved segments and saved systems defined on your system. The segments might be displayed in a different order.

```
query nss all map
```

```

:
FILE FILENAME FILETYPE MINSIZE BEGPAG ENDPAG TYPE CL #USERS PARMREGS VMGROUP
nnnn ZCMS      NSS          0000256K 00000 0000D  EW  A  nnnnn  00-15  NO
                00020 00023  EW
                00F00 013FF  SR
nnnn CMS       NSS          0000256K 00000 0000D  EW  A  nnnnn  00-15  NO
                00020 00023  EW
                00F00 013FF  SR
nnnn GCS       NSS          0000256K 00000 0000C  EW  R  nnnnn  OMITTED YES
                00400 0044E  SR
                0044F 0044F  SW
                00450 005FF  SN
                01000 0101A SR
                0101B 011FF  SN
nnnn CMSDOS    DCSS-M       N/A      00B00 00B0C  SR  A  nnnnn  N/A     N/A
nnnn CMSBAM    DCSS-M       N/A      00B0D 00B37  SR  A  nnnnn  N/A     N/A
nnnn DOSBAM    DCSS-S       N/A      00B00 00B37  --  A  nnnnn  N/A     N/A
nnnn MONDCSS   CPDCSS      N/A      40000 45FFF  SC  R  nnnnn  N/A     N/A
nnnn CMSFILES  DCSS         N/A      01900 01BFF  SR  A  nnnnn  N/A     N/A
nnnn SVM       DCSS         N/A      01900 019FF  SR  A  nnnnn  N/A     N/A
nnnn CMSPIPES  DCSS         N/A      02C00 02DFF  SR  A  nnnnn  N/A     N/A
nnnn CMSVMLIB  DCSS         N/A      01700 017FF  SR  A  nnnnn  N/A     N/A
nnnn INSTSEG   DCSS         N/A      01400 016FF  SR  A  nnnnn  N/A     N/A
nnnn PERFOUT   DCSS         N/A      46000 465FF  SN  A  nnnnn  N/A     N/A
nnnn DOSINST   DCSS         N/A      00900 0090F  SR  A  nnnnn  N/A     N/A
nnnn SCEE      DCSS         N/A      00900 009FF  SR  A  nnnnn  N/A     N/A
nnnn SCEEEX    DCSS         N/A      02100 029FF  SR  A  nnnnn  N/A     N/A
nnnn NLSUCENG  DCSS         N/A      02000 020FF  SR  A  nnnnn  N/A     N/A
nnnn SMAPIOUT  DCSS         N/A      08400 089FF  SN  A  nnnnn  N/A     N/A
Ready; T=n.nn/n.nn hh:mm:ss

```

## VMSYS, VMSYSU, VMSYSR, and VMPSFS file pool defaults

The z/VM system incorporates four prebuilt file pools:

VMSYS

- System/member-specific file pool
  - BFS directories defined for Shell and Utilities, and for SSL
  - System-specific work disks in SFS
- Managed by the VMSERVS server machine
- Administrators – MAINT, MAINT730, MIGMAINT, VSMGUARD, VSMWORK1, VSMWORK2, and VSMWORK3

**Note:** User IDs always enrolled in the VMSYS file pool are: DTCSMAPI, GSKADMIN, GSKSSLDB, LDAPSRV, MAINT, MAINT730, OPERATNS, PERSMAPI, ROOT, SSLSERV, SSL00001, SSL00002, SSL00003,

## VMSYS, VMSYSU, VMSYSR, and VMPSFS file pool defaults

SSL00004, SSL00005, TCPMAINT, VMRMSVM, VSMEVSRV, VSMGUARD, VSMREQIN, VSMREQI6, VSMREQIU, VSMWORK1, VSMWORK2, and VSMWORK3.

### VMSYSU

- User data repository file pool
  - SFS storage space for general use by the system user population
  - SFS directories defined for use by SSL pool servers
- Managed by the VMSERVU server machine
- Administrators – MAINT, MAINT730, and MIGMAINT

**Note:** User IDs always enrolled in the VMSYSU file pool are: ETC, MAINT, MAINT730, TMP, and VAR.

### VMSYSR

- Coordinated resource recovery (CRR) file pool
- Managed by the VMSERVER server machine
- Administrators – MAINT, MAINT730, and MIGMAINT

### VMPSFS

- Product service file pool
- Managed by the VMSERVP server machine
- Administrators – MAINT, MAINT730, AUTOLOG1, AUTOLOG2, BLDNUC, BLDRACF, MIGMAINT, VSMGUARD, VSMWORK1, VSMWORK2, and VSMWORK3
- MAINT730's default file pool is set to VMPSFS

**Note:** User IDs always enrolled in the VMPSFS file pool are: BLDSEG, DATAMOVE, DATAMOV2, DATAMOV3, DATAMOV4, DIRMAINT, DIRMSAT, DIRMSAT2, DIRMSAT3, DIRMSAT4, MAINT, MAINT730, >MAINTCSM, and VSMGUARD.

Each of these file pools has two definition files associated with it:

- *filename* POOLDEF, which defines the configuration of the file pool. *filename* is the name of the file pool.
- *filename* DMSPARMS, which contains startup parameters for the file pool server machine. *filename* is the user ID of the server machine.

For more information and examples on tailoring these files and on BFS root directory definitions, see [z/VM: CMS File Pool Planning, Administration, and Operation](#).

## Additional file pool enrollments

If you chose to load these products into the file pool, the following user IDs are also enrolled in the following file pools:

Table 26. VMSYS/VMPSFS File Pool User IDs

Product	File Pool	User IDs
VM	VMPSFS	7VMLEN30
RSCS	VMPSFS	7VMRSC30
	VMPSFS	RSCSAUTH
	VMPSFS	RSCSDNS
	VMPSFS	XCHANGE
	VMSYS	7VMRSC30
	VMSYS	XCHANGE
TCP/IP	VMPSFS	7VMTCP30
ICKDSF	VMPSFS	5684042J

Table 26. VMSYS/VMPSFS File Pool User IDs (continued)

<b>Product</b>	<b>File Pool</b>	<b>User IDs</b>
DIRM	VMPSFS	7VMDIR30
RACF	VMPSFS	7VMRAC30
PERFTK	VMPSFS	7VMPTK30
	VMPSFS	PERFSVM
	VMPSFS	PERSMAPI
	VMSYS	PERFSVM
VMHCD	VMPSFS	7VMHCD30
	VMPSFS	CBDIODSP



## Appendix D. Back up the named saved systems and segments to tape

1. Log on the system or member you are backing up as MAINT730.

```
logon maint730
:
Ready; T=n.nn/n.nn hh:mm:ss
```

The default password for MAINT730 is WD5JU8QP or the password you selected when you installed your system.

2. Attach a tape drive (*tapeaddr*) to MAINT730 at virtual device address 181.

```
attach tapeaddr * 181
TAPE 0181 ATTACHED
Ready; T=n.nn/n.nn hh:mm:ss
```

3. Mount a tape, to be used for backup, on the tape drive attached at virtual device address 181.
4. Spool the console.

```
spool
console * start
```

5. Enter the SPXTAPE command to dump the named saved systems and segments to tape.

```
spxtape dump tapeaddr sdf all run
SPXTAPE DUMP INITIATED ON VDEV
tapeaddr
Ready; T=n.nn/n.nn hh:mm:ss
```

The operand RUN specifies that the SPXTAPE rewinds and unloads the tape after the operation.

### **tapeaddr**

The address of the tape drive attached to MAINT730.

```
DUMPING tapeaddr :      nnn FILES,  PAGES      nnnn  nn% COMPLETE
:
DUMPING tapeaddr :      nnn FILES,  PAGES      nnnn  nn% COMPLETE
RDR FILE fileno1 SENT FROM MAINT730 CON WAS fileno1 RECS nnnn CPY 001 T NOHOLD
NOKEEP
SPXTAPE DUMP COMMAND COMPLETED ON VDEV tapeaddr
```

```
TIME STARTED:      hh:mm:ss
TIME ENDED:        hh:mm:ss
TAPE COUNT:        nnn
FILES PROCESSED:   nnn
SPOOL PAGES:       nnnn
```

The messages from SPXTAPE tell you that the files are being dumped to tape.

```
RDR FILE fileno2 SENT FROM MAINT730 CON WAS fileno2 RECS nnnn CPY 001 T NOHOLD
NOKEEP
```

### ***fileno1***

The file number of the volume log file. The volume log file records information about the files processed by the SPXTAPE DUMP command that are associated with a particular tape volume.

### ***fileno2***

The file number of the command summary log file. The command summary log file records the progress and status of the SPXTAPE DUMP operation.

6. Store the tape for emergency use. If it is ever necessary, you can use this tape and the SPXTAPE command to restore the CMS system data file. For more information about the SPXTAPE command, see [z/VM: CP Commands and Utilities Reference](#). For information on how to restore this tape to your system, see [Appendix G, “Restore the named saved systems and segments from tape,”](#) on [page 273](#).
7. If you have a multimember SSI cluster, repeat substep [“1” on page 265](#) through substep [“6” on page 266](#) for each remaining member to back up the named saved systems and segments for that member.

## Appendix E. Back up the z/VM system to tape

If you do not have a tape drive or if you want to back up to DASD, see [Appendix F, “Back up the z/VM system to DASD,”](#) on page 271.

1. Log on the system or member you are going to back up to tape as MAINT730.

```
logon maint730
:
Ready; T=n.nn/n.nn hh:mm:ss
```

The default password for MAINT730 is WD5JU8QP or the password you selected when you installed your system.

2. Make sure you have a link to all of the full-pack minidisks for all of the volumes you are backing up, as per the following table.

Default label	Full-pack minidisk	Owner	Member-specific or Common
M01RES	123	MAINT	Member-specific
730RL1	131	MAINT730	Common
730RL2	132	MAINT730	Common
VMCOM1	141	PMAINT	Common

```
q v 123
DASD 0123 3390 M01RES R/O nnnn CYL ON DASD nnnn SUBCHANNEL = nnnn
Ready; T=n.nn/n.nn hh:mm:ss
```

```
q v 131-132
DASD 0131 3390 730RL1 R/W nnnn CYL ON DASD nnnn SUBCHANNEL = nnnn
DASD 0132 3390 730RL2 R/W nnnn CYL ON DASD nnnn SUBCHANNEL = nnnn
Ready; T=n.nn/n.nn hh:mm:ss
```

```
q v 141
DASD 0141 3390 VMCOM1 R/O nnnn CYL ON DASD nnnn SUBCHANNEL = nnnn
Ready; T=n.nn/n.nn hh:mm:ss
```

3. Attach a tape drive (*tapeaddr*) to MAINT730 at virtual device address 181.

```
attach tapeaddr * 181
TAPE 0181 ATTACHED
Ready; T=n.nn/n.nn hh:mm:ss
```

4. Mount a tape, to be used for back up, on the tape drive attached at virtual device address 181.
5. Access the 193 minidisk as file mode Z.

```
access 193 z
Ready; T=n.nn/n.nn hh:mm:ss
```

6. Load the DDRXA utility to tape.

```
utility utiltape ddrxa
Rewind complete
IUGWUT8317I MOVING IPL DDRXA TO TAPE
IUGWUT8318I THE IPL DDRXA PROGRAM IS
ON TAPE FILE NUMBER 1
Ready; T=n.nn/n.nn hh:mm:ss
```

7. Rewind the backup tape attached at virtual device address 181.

```
rewind 181  
Rewind complete
```

8. IPL the tape and answer the prompts from DDRXA. For information about DDRXA, see the [z/VM: CP Commands and Utilities Reference](#) and [z/VM: System Operation](#).

```
ipl 181 clear  
z/VM DASD DUMP/RESTORE PROGRAM  
ENTER CARD READER ADDRESS OR CONTROL  
STATEMENTS  
ENTER:
```

CLEAR is necessary. Do not omit it.

Wait a few moments for DDRXA to prompt you. If a prompt does not appear, press Enter.

```
sysprint cons  
ENTER:
```

This first control statement tells DDRXA that you want program messages sent to your console.

```
input devno dasd volid  
ENTER:
```

The second control statement is the input control statement.

You must back up all your installation volumes, except the paging volume.

**devno**

The full-pack minidisk address of the volume you are backing up.

**volid**

The volume label (M01RES, for example).

```
output 181 tape (compact  
ENTER:
```

This control statement specifies the device to which you are dumping the system. You can specify one alternate tape drive for additional tape volumes.

**Example:** If you had a tape attached at virtual device address 181 and an alternate tape attached at virtual device address 182, the OUTPUT control statement would be:

```
output 181 tape 182 (compact
```

If you are using a 3590 tape, you can use the leave option to dump multiple DASD on one tape volume. The output control statement would be:

```
output 181 tape (compact leave
```

```
dump all  
DUMPING volid  
DUMPING DATA mm/dd/yy  
AT hh.mm.ss GMT FROM volid
```

This control statement dumps the specified volume to the tape.

The informational messages that follow will vary according to your use of device types.

The exact cylinder extents vary according to the device type.



```

INPUT CYLINDER EXTENTS          OUTPUT CYLINDER EXTENTS
      START      STOP          START      STOP
      nnnnnnnn   nnnnnnnn      nnnnnnnn   nnnnnnnn
:
:
END OF DUMP
BYTES IN nnnnnnnnnn BYTES OUT nnnnnnnnnn
TRACKS NOT COMPACTED ON TAPE - nnnnnnnnnn

```

ENTER:

DDRXA prompts when finishes dumping the volume.

**Note:** When DDRXA encounters the end of a tape, and there is more data to dump, the program prompts you to mount the next tape.

- If you are using the same tape drive, mount the next tape and DDRXA continues.
  - If you are using an alternate tape drive, DDRXA uses the alternate tape drive, then alternates between the tape drives for additional tapes. That is, if there are more than two tapes, you are prompted for the third tape on the first tape drive, the fourth tape on the second tape drive, and so forth.
9. If you have additional DASD volumes to back up, mount a new tape, if necessary, and repeat the INPUT, OUTPUT, and DUMP ALL statements for each volume.
10. Press Enter to end the program.

```

ENTER
END OF JOB

```

11. IPL CMS.

```

#cp ipl cms
z/VM V7.3.0   yyyy-mm-dd hh:mm

ENTER
Ready; T=n.nn/n.nn hh:mm:ss

```

For information on how to restore your system from tape, see [Appendix H, “Restore the z/VM system backup from tape,”](#) on page 275.

12. If you have a multimember SSI cluster, repeat substep “1” on page 267 through substep “11” on page 269 for each remaining member to back up the member-specific volumes.



## Appendix F. Back up the z/VM system to DASD

If you want to store a backup to tape, see [Appendix E, “Back up the z/VM system to tape,”](#) on page 267.

1. Log on the system or member you are going to back up to DASD as MAINT730.

```
logon maint730
:
Ready; T=n.nn/n.nn hh:mm:ss
```

The default password for MAINT730 is WD5JU8QP or the password you selected when you installed your system.

2. Make sure you have a link to all of the full-pack minidisks for all of the volumes you are backing up, as per the following table.

Default label	Full-pack minidisk	Owner	Member-specific or Common
M01RES	123	MAINT	Member-specific
730RL1	131	MAINT730	Common
730RL2	132	MAINT730	Common
VMCOM1	141	PMAINT	Common

```
q v 123
DASD 0123 3390 M01RES R/O nnnn CYL ON DASD nnnn SUBCHANNEL = nnnn
Ready; T=n.nn/n.nn hh:mm:ss
```

```
q v 131-132
DASD 0131 3390 730RL1 R/W nnnn CYL ON DASD nnnn SUBCHANNEL = nnnn
DASD 0132 3390 730RL2 R/W nnnn CYL ON DASD nnnn SUBCHANNEL = nnnn
Ready; T=n.nn/n.nn hh:mm:ss
```

```
q v 141
DASD 0141 3390 VMCOM1 R/O nnnn CYL ON DASD nnnn SUBCHANNEL = nnnn
Ready; T=n.nn/n.nn hh:mm:ss
```

3. Access the 193 minidisk as file mode Z.

```
access 193 z
Ready; T=n.nn/n.nn hh:mm:ss
```

4. Run DDR and answer the prompts. For information about DDR, see the [z/VM: CP Commands and Utilities Reference](#) and [z/VM: System Operation](#).

```
DDR
z/VM DASD DUMP/RESTORE PROGRAM
ENTER CARD READER ADDRESS OR CONTROL
STATEMENTS
ENTER:
```

```
sysprint cons
ENTER:
```

This first control statement tells DDR that you want program messages sent to your console.

```
input devno dasd volid
ENTER:
```

The second control statement is the input control statement.

You must back up all your installation volumes, except the paging volume.

**devno**

The full-pack minidisk address of the volume you are backing up.

**volid**

The volume label (M01RES, for example).

```
output devno dasd scratch
ENTER:
```

You need a separate volume for each volume you are backing up.

**devno**

The full-pack minidisk address of the volume you are using to back up.

```
copy all
```

This control statement dumps the specified volume to the new DASD.

```
DUMPING volid
DUMPING DATA mm/dd/yy
AT hh.mm.ss GMT FROM volid
```

These are informational messages that will vary according to your use of device types.

The exact cylinder extents vary according to the device type.

```
INPUT CYLINDER EXTENTS          OUTPUT CYLINDER EXTENTS
      START      STOP          START      STOP
      nnnnnnnn   nnnnnnnn     nnnnnnnn   nnnnnnnn
      :
END OF DUMP
BYTES IN nnnnnnnnnn BYTES OUT nnnnnnnnnn
TRACKS NOT COMPACTED ON TAPE - nnnnnnnnnn
```

```
ENTER:
```

When DDR finishes dumping the volume, it prompts.

5. If you have any more DASD volumes to back up, repeat the INPUT, OUTPUT, and COPY ALL statements for each volume.
6. Press Enter to end the program.

```
ENTER
END OF JOB
```

7. If you have a multimember SSI cluster, repeat substep [“1” on page 271](#) through substep [“6” on page 272](#) for each remaining member to back up the member-specific volumes.

## Appendix G. Restore the named saved systems and segments from tape

If you created a loadable tape of the named saved systems and segments during your system installation, perform the following steps to restore the named saved system and segments.

1. Log on as MAINT730.

```
logon maint730
:
Ready; T=n.nn/n.nn hh:mm:ss
```

The default password for MAINT730 is WD5JU8QP or the password you selected when you installed your system.

2. Attach a tape drive (*tapeaddr*) to MAINT730.

```
attach tapeaddr *
Ready; T=n.nn/n.nn hh:mm:ss
```

3. Mount the backup tape on the attached tape drive (*tapeaddr*).
4. Spool the console.

```
spool console *
```

5. Enter the SPXTAPE command to load the system data files.

```
spxtape load tapeaddr sdf all run
```

***tapeaddr***

The address of the tape drive attached to MAINT730.

```
SPXTAPE LOAD INITIATED ON VDEV tapeaddr
Ready; T=n.nn/n.nn hh:mm:ss

LOADING tapeaddr :      nnn FILES,  PAGES      nnnn
:
LOADING tapeaddr :      nnn FILES,  PAGES      nnnn
SPXTAPE LOAD END-OF-TAPE ON VDEV tapeaddr;
MOUNT NEXT TAPE
TAPE NUMBER:      tapeaddr-001
FILES PROCESSED:  nnn
SPOOL PAGES:      nnnn
LOADING tapeaddr :      nnn FILES,  PAGES      nnnn
:
LOADING tapeaddr :      nnn FILES,  PAGES      nnnn
RDR FILE fileno1 SENT FROM MAINT730 CON WAS fileno RECS nnnn CPY 001 T NOHOLD
NOKEEP
```

***fileno1***

The file number of the volume log file.

The volume log file records information about the files processed by the SPXTAPE LOAD command that are associated with a particular tape volume.

6. When all volumes have been loaded, use the SPXTAPE END command to end the SPXTAPE load.

## Restore the named saved systems and segments from tape

```
spxtape end tapeaddr
SPXTAPE END      INITIATED ON VDEV tapeaddr
SPXTAPE LOAD COMMAND ENDED      ON VDEV tapeaddr
TIME STARTED:    hh:mm:ss
TIME ENDED:      hh:mm:ss
TAPE COUNT:      nnn
FILES PROCESSED: nnn
SPOOL PAGES:    nnnn
```

The SPXTAPE END command ends the SPXTAPE LOAD operation at the completion of the current file.

```
Ready; T=n.nn/n.nn hh:mm:ss
```

The CMS ready message may occur between the messages.

```
RDR FILE fileno2 SENT FROM MAINT730 CON WAS fileno RECS nnnn CPY 001 T NOHOLD
NOKEEP
```

### ***fileno2***

The file number of the command summary log file.

The command summary log file records the progress and status of the SPXTAPE LOAD operation.

For more information about the SPXTAPE command, see [z/VM: CP Commands and Utilities Reference](#).

## 7. IPL the CMS named saved system.

```
ipl cmsname
:
z/VM V7.3.0   yyyy-mm-dd hh:mm
ENTER
Ready; T=n.nn/n.nn hh:mm:ss
```

### ***cmsname***

The IBM-supplied system name (CMS) or the name you defined in DMSNGP on the SYSNAME statement.

If you changed the version heading, your own heading will appear.

## Appendix H. Restore the z/VM system backup from tape

**Note:** This procedure requires a full-pack minidisk be defined in the CP directory, USER DIRECT, for each volume you are restoring.

If you created a backup of your new z/VM system on tape during your system installation using the instructions in [Appendix E, “Back up the z/VM system to tape,”](#) on page 267, you can perform the following steps to restore the system.

1. Mount the backup tape on a tape drive.
2. IPL the tape drive, to restore the system to DASD.

```
ipl tapeaddr clear
```

***tapeaddr***

The address of the tape drive.

3. This will invoke DDRXA, which will restore the contents of the tape to DASD.

```
z/VM DASD DUMP/RESTORE PROGRAM
ENTER CARD READER ADDRESS OR CONTROL STATEMENTS
ENTER:
```

```
sysprint cons
ENTER:
```

This first control statement tells DDRXA that you want program messages sent to your console.

```
input tapeaddr tape
ENTER:
```

The second control statement is the input control statement.

***tapeaddr***

The device number where the backup tape is mounted.

You can specify one alternate tape drive for additional tape volumes.

**Example:** If you had a tape attached at virtual device address 181 and an alternate tape attached at virtual device address 182, the INPUT control statement would be:

```
input 181 tape 182
```

If you are using a 3590 tape, and multiple DASD volumes were dumped on one tape volume, use the leave option to position the tape for the next restore. The input control statement would be:

```
input 181 tape (leave
```

## Restore the z/VM system backup from tape

```
output devaddr dasd volid  
ENTER:
```

This output statement specifies the DASD device to which you are restoring the system.

### **devaddr**

The full-pack minidisk address of the volume to which you are restoring this tape.

The full-pack minidisk addresses for the default DASD are 122 (M0xS01), 123 (M0xRES), 124 (M0xW01), 125 (M0xW02), ...

By typing **dasd**, the device type (3390) is automatically identified by the DDRXA program.

```
restore all
```

The RESTORE ALL statement tells DDRXA to restore the whole tape to the output device.

```
RESTORING volid  
DATA DUMPED mm/dd/yy  
  AT hh.mm.ss GMT FROM volid  
  RESTORED TO volid  
INPUT CYLINDER EXTENTS      OUTPUT CYLINDER EXTENTS  
  START          STOP          START          STOP  
  nnnnnnnn    nnnnnnnn      nnnnnnnn    nnnnnnnn  
:  
END OF RESTORE  
BYTES RESTORED nnnnnnnnnn
```

The exact cylinder extents vary according to the device type.

```
ENTER:  
:
```

Repeat INPUT, OUTPUT, and RESTORE statements for each DASD you are restoring.

```
ENTER:
```

```
ENTER
```

```
END OF JOB
```

When DDRXA finishes, it prompts you with ENTER: . Press Enter to end the program.

**Note:** When DDRXA encounters the end of a tape, and there is more data to restore, the program prompts you to mount the next tape.

- If you are using the same tape drive, mount the next tape and DDRXA continues.
- If you are using an alternate tape drive, DDRXA uses the alternate tape drive and then alternates between the tape drives for additional tapes. That is, if there are more than two tapes, you are prompted for the third tape on the first tape drive, the fourth tape on the second tape drive, and so forth.



## Appendix I. Recover a file or minidisk

1. Log on as MAINT730:

```
logon maint730
:
Ready; T=n.nn/n.nn hh:mm:ss
```

The default password for MAINT730 is WD5JU8QP or the password you selected when you installed your system.

2. If you want to recover an entire minidisk, skip this step and go to step “3” on page 277.

To recover an individual file, you must first determine on which minidisk the file is located. If you already know on which minidisk the file is located, go to step “3” on page 277. Otherwise, check the minidisk map file. If you loaded z/VM to the file pool, the minidisk map file is on the directory VMPSFS:MAINT730.CPDV.OBJECT. Access this directory in place of the 194 disk.

```
access 194 z
Ready; T=n.nn/n.nn hh:mm:ss

xedit minidisk map z
:
quit
Ready; T=n.nn/n.nn hh:mm:ss
```

The MINIDISK MAP file lists the minidisks shipped on the z/VM system and the files contained on each minidisk. Look at MINIDISK MAP to determine which minidisk contains the file you want to recover.

3. If you want to recover an individual file or recover the entire minidisk to a temporary disk, you need to define a temporary disk. The temporary disk must be the same DASD type that is provided by your installation media and the same size as the minidisk you want to recover. (See the \$ITEMMD\$ \$TABLE\$ on the 4CC disk for the size of the minidisk you want to recover.)

```
define [t3390 or vfb-512] loadaddr
mdisksize
DASD loadaddr DEFINED
Ready; T=n.nn/n.nn hh:mm:ss
```

### **loadaddr**

The address of the temporary disk.

### **mdisksize**

The size of the minidisk you want to restore.

If you receive the following message:

```
HCPLNM091E DASD loadaddr not defined; temp space not available
```

you must add additional temporary disk space to your system or define a minidisk with the address *loadaddr*. If you define a minidisk, it must be the same DASD type that is provided by your installation media and the same size as the minidisk you want to recover.

4. Recover the minidisk.

You might have installed from DVD or uploaded the contents of the DVDs to an FTP server or a VM minidisk. You can use the FTP server or VM minidisk if they are still available; otherwise, use the DVDs. To restore the MAINT720 500 minidisk or the MAINT720 5BC minidisk, use DVD DISC 2. For all other minidisks, use DVD DISC 1.

- a. Run INSTPIPE:

```
instpipe
```

- b. Recover from the DVD or FTP server:

```
pipe ftpget -h IPaddress -u userid  
-p password -d ftpdrct -v BEF -DVDEOF  
-f dddcuu* |UNPACK| restcmd loadaddr
```

### **IPaddress**

The IP address or FTP host name.

### **userid**

The user ID that is used to log on to the FTP server.

### **password**

The password that is used to log on to the FTP server.

### **ftpdrct**

The path to the DVD drive or server directory. If using a DVD drive, append /CPDVD to the end of the path.

### **ddd**

**CKD** (for 3390) or **FBA** (for FBA).

### **cuu\***

The address of the minidisk to be recovered from the DVD, with an asterisk (\*) appended to the end.

### **restcmd**

**ECKDREST** (for 3390) or **MDREST** (for FBA).

### **loadaddr**

The address to which you are restoring the minidisk.

### **Notes:**

- i) To recover a minidisk and overlay the existing disk, you must link the existing minidisk in write mode. For example, enter the LINK CMSBATCH 195 801 WR command.
  - ii) If the minidisk belongs to MAINT730, *cuu* is the actual minidisk address. If the minidisk does not belong to MAINT730, *cuu* is the alias address. See the \$ITEMMD\$ \$TABLE\$ on the 4CC disk to determine the alias address.
  - iii) If you want to recover an entire minidisk and overlay the existing minidisk, *loadaddr* is the address at which you have the existing disk linked. If *loadaddr* is not specified, a temporary disk (T-disk) is created.
- c. Recover from a VM minidisk. Access the VM minidisk address as file mode C.

```
access diskaddr c  
Ready; T=n.nn/n.nn hh:mm:ss
```

```
pipe dvddcod dddcuu image c |UNPACK|  
restcmd loadaddr
```

### **ddd**

**CKD** (for 3390) or **FBA** (for FBA).

### **cuu**

The address of the minidisk to be recovered from the DVD.

### **restcmd**

**ECKDREST** (for 3390) or **MDREST** (for FBA).

### **loadaddr**

The address to which you are recovering the minidisk.

### **Notes:**

- i) To recover a minidisk and overlay the existing disk, you must link the existing minidisk in write mode. For example, enter the LINK CMSBATCH 195 801 WR command.

- ii) If the minidisk belongs to MAINT730, *cuu* is the actual minidisk address. If the minidisk does not belong to MAINT730, *cuu* is the alias address. See the \$ITEMMD\$ \$TABLE\$ on the 4CC disk to determine the alias address.
  - iii) If you want to recover an entire minidisk and overlay the existing minidisk, *loadaddr* is the address at which you have the existing disk linked. If *loadaddr* is not specified, a temporary disk (T-disk) is created.
5. If you restored the minidisk to a temporary disk, copy the file or files that you want to recover from the temporary disk to the target disk.

```
access loadaddr fm-1
Ready; T=n.nn/n.nn hh:mm:ss
```

**loadaddr**

The address of the temporary disk.

**fm-1**

Any available file mode.

```
access mdiskaddr fm-2
Ready; T=n.nn/n.nn hh:mm:ss
```

**mdiskaddr**

The address of the target minidisk. If you loaded z/VM to the file pool, *mdiskaddr* is the directory to which the minidisks were copied. See MOVE2SFS \$TABLE\$ for a list of minidisks and directories.

**fm-2**

Any available file mode.

```
copyfile fn ft fm-1 = = fm-2 (olddate
Ready; T=n.nn/n.nn hh:mm:ss
```

**fn**

The file name of the file you want to recover.

**ft**

The file type of the file you want to recover. Repeat the COPYFILE command for each file you want to recover.



## Appendix J. Using a terminal emulator to upload files

**Note:** Using a terminal emulator to upload files can take several hours to complete.

The following procedure will guide you through using IBM Personal Communications to upload files from the z/VM product DVDs or electronic envelopes to a minidisk on your VM system. If Personal Communications is not your preferred terminal emulator, this procedure can be used as a model for using the upload function provided with your preferred terminal emulator. Wherever the DVD path is referenced, you can substitute the path to the workstation hard drive where you have loaded the electronic envelopes.

**Requirement:** Files must be uploaded with a **fixed** record format, a logical record length of **1028**, and a **binary** transfer type. These options must be used to make sure file attributes are maintained.

1. Start a new Personal Communications session and log on to a user ID with access to the minidisk where you will transfer the DVD files.
2. If you have set up a **dvdbinary** transfer type already, skip to substep “3” on page 281. Otherwise, create a new transfer type called **dvdbinary**.
  - a. In the **Settings** menu, click **Transfer**.
  - b. In the **File Transfer Settings** window, click the **General** tab and verify that **Host Type** is **VM/CMS**. If not, select **VM/CMS** from the **Host Type** list.
  - c. Click on the **VM** tab.
    - i) In the **Transfer Type** field, enter **dvdbinary**.
    - ii) Select **Fixed** in the **Record Format** list.
    - iii) In the **Logical Record Length** field, enter **1028**.
    - iv) Click **Save**.
    - v) Click **OK**.
3. Load the z/VM product DVD - DISC 1 in the DVD drive.

**Note:** If your DVD drive is not labeled drive letter D, copy the 730prod1.sr1 file from the DVD to your workstation. Open the file, and change D: to match your DVD drive letter for each entry. Save the modified file and use it instead of the copy on the DVD for the following steps.

4. Upload the contents of the DVD to the VM minidisk (previously accessed as file mode W).
  - a. Set messages off in your VM session:

```
set msg off
set emsg off
set imsg off
set wng off
```

- b. From the **Actions** menu, click **Send File To Host**.
  - c. In the Send Files to Host window, click **Open List**.
    - i) In the Open File-Transfer List File window, navigate to the CPDVD directory on the DVD and select the 730prod1.sr1 file.

**Note:** If you created a modified 730prod1.sr1 file in the previous substep, navigate to the location on your workstation where the modified file is saved and select it instead.
    - ii) Click **Open**. Each file to be copied is added to the transfer list.
  - d. Click **Send**.
5. Repeat this procedure using the z/VM product - DISC 2 DVD. Substitute the 730prod2.sr1 file in place of the 730prod1.sr1 file.

## Using a terminal emulator to upload files

6. When all files have been transferred, restore your message settings in your VM session:

```
set msg on
set emsg on
set imsg on
set wng on
```

7. Verify that all of the files transferred have a **fixed** (F) file format and a logical record length (LRECL) of **1028**.

If the file format or logical record length of any file is incorrect, the files were uploaded incorrectly. Erase all of the files from the minidisk and upload the contents of the z/VM product - DISC 1 and DISC 2 DVDs again, using the correct parameters:

```
filelist * image w
Cmd Filename Filetype Fm Format Lrecl Records Blocks Date Time
   xxx22200 IMAGE    W1 F      1028   nnnn    nnn   dddd tttt
   :
```

8. Return to Chapter 4, "Traditional installation for second level," Step 3a, substep ["16" on page 43](#) or Chapter 13, "Set up for your upgrade installation," Step 3, substep ["16" on page 143](#).

## Appendix K. Using a z/VM FTP server to receive and load files to a z/VM minidisk

The following procedure will receive and load the z/VM product DVDs or electronic envelopes to a minidisk on your z/VM system.

You must have an FTP server running on the z/VM system and a user ID on z/VM that owns an 8000-cylinder minidisk. The minidisk should be formatted with 4K blocks. The user ID should be logged off while you are loading the installation files.

**Note:** For this example, the user ID is MIGMAINT and the minidisk is 291.

1. If loading the files from the electronic envelopes to a directory on your workstation, make a note of the directory path name. Load the files from the z/VM product - DISC 1 electronic envelope to the directory. Load the files from the z/VM product - DISC 2 electronic envelope to the same directory. If there are any duplicate files, replace them with the files from DISC 2.
2. Make sure the minidisk where you will load the files is not attached in write mode by any user ID on z/VM.
3. Open a DOS window on your workstation and change the drive to the path where you have loaded the z/VM product - DISC 1 and DISC 2 files.
4. FTP the product files to the z/VM minidisk.
  - a. Start the FTP session with your z/VM host:

```
ftp -i VM host address
ENTER
```

- b. Enter the z/VM user ID that can access the minidisk in write mode and the password for that ID:

```
User (x.x.x.x:(none)): MIGMAINT
ENTER
331 Send password please.
Password: WD5JU8QP
ENTER
230-VM ID logged in; working directory = MIGMAINT 191
```

- c. Change the working directory on your z/VM host to the minidisk where you want to load the files (note that there is a period between the user ID and minidisk address):

```
ftp> cd MIGMAINT.291
ENTER
250 Working directory is MIGMAINT 291
```

- d. Your local directory path should already be the path to the directory where you loaded the z/VM files.
    - e. Set the file transfer mode to binary and the record format and length to fixed 1028:

```
ftp> binary
ENTER
200 Representation type is IMAGE.
ftp> quote site fixrec 1028
ENTER
200 Site command was accepted.
```

- f. Put the installation files on the z/VM minidisk:

```
ftp> mput ddd*
ENTER
```

**ddd**  
**CKD** for 3390 or **FBA** for FBA (SCSI).

All of the files in the directory that start with *ddd* will now start to transfer. This could take some time, depending on the speed of your connection. When all of the files have transferred, the DOS window will return with the FTP prompt (*ftp>*). Enter *quit* to end the FTP session.

5. Verify that all of the files loaded from the directory have a fixed (F) file format and a logical record length (LRECL) of 1028. If the file format or logical record length of any file is incorrect, the files were copied incorrectly. Erase all of the files from the minidisk and load the contents of the directory again, using the correct parameters. Repeat step “4” on page 283.

Also verify that all of the files were loaded. The 73PROD1 DVDIMAGE file lists the number of image files that should have been copied. In the *Size=nnnn* field, *nnnn* is the number of \$DEFAULT files on the minidisk from the product. Add the number of files from the 730PROD1 DVDIMAGE file and the number of files from the 730PROD2 DVDIMAGE file. Verify that the numbers are the same. If the numbers are not the same, there are files missing. If there are files missing, determine which files were not loaded and repeat step “4” on page 283 for those files (use the PUT command for individual files instead of MPUT.)

- a. Log on to MIGMAINT.
- b. Access the 291 disk:

```
access 291 w
```

- c. List all of the files that were loaded to verify the format and LRECL:

```
filelist * * w
MIGMAINT FILELIST W0 V 169 Trunc=169 Size=nnnn Line=1 Col=1 Alt=0
Cmd  Filename Filetype Fm Format Lrecl  Records  Blocks  Date    Time
    ddd500nn $DEFAULT W1 F    1028    nnnn    nnnn   dddd    tttt
    ddd500nn $DEFAULT W1 F    1028    nnnn    nnnn   dddd    tttt
    :
```

6. Press **F3** to leave the FILELIST screen.
7. Rename the files that you loaded to the correct file type:

```
rename * $DEFAULT W = IMAGE W
```

8. Return to Chapter 4, "Traditional installation for second level," Step 3a, substep “16” on page 43 or Chapter 13, "Set up for your upgrade installation," Step 3, substep “16” on page 143.



---

## Appendix L. Basic TCP/IP connectivity worksheets

Gather the TCP/IP configuration information from your network system administrator and record the information in the following worksheets.

If you are installing a multimember SSI, the TCP/IP configuration must be done separately on each SSI member. Therefore, you will need a separate set of configuration worksheets for each member (1, 2, 3, 4) on which you will create a minimal TCP/IP configuration.

In these worksheets, a number in parentheses that follows a field description – the 20 in Host name (20), for example – is the maximum length for that field.

### QDIO layer 2

If you are using QDIO layer 2 for the network interface in IPWIZARD, you need to add or update the VMLAN MACPREFIX statement in your SYSTEM CONFIG file to define a unique MAC address prefix for this system. If you are installing a multimember SSI, the VMLAN MACPREFIX and USERPREFIX must be configured in each SSI member. For more information, see "Media Access Control (MAC) Address" in *z/VM: Connectivity* and the VMLAN statement in *z/VM: CP Planning and Administration*. If changes are made to your SYSTEM CONFIG file, the z/VM image must be re-IPLed so that the statements take effect.

**Note:** The IP configuration wizard supports real network devices only. If you plan to use virtual network devices for TCP/IP, they must be configured manually. See *z/VM: TCP/IP Planning and Customization*.

## Member 1

<i>Table 27. Installation TCP/IP Configuration Worksheet – Member 1</i>	
<b>Member 1:</b>	
z/VM user ID of the z/VM TCP/IP stack virtual machine:  (The default user ID is TCPIP. If you change this user ID, you must define the user ID in your user directory before issuing IPWIZARD.)	
Host name (20):	
Domain name (40):	
DNS IP address (up to three addresses):	1) _____ 2) _____ 3) _____
Gateway IP address :	
Interface name (16):	
Device number:	
IP address:	
IPv4 subnet mask (15) or IPv6 prefix length (3):	
(IPv4 only) Path MTU discovery:	<input type="checkbox"/> Enabled <input type="checkbox"/> Disabled
Choose the interface you will be using (select one):	<input type="checkbox"/> QDIO (layer 2) – see <a href="#">“QDIO layer 2” on page 285</a> <input type="checkbox"/> QDIO (layer 3) <input type="checkbox"/> LCS <input type="checkbox"/> HiperSockets <input type="checkbox"/> CTC  See the appropriate interface worksheet to record additional information.  IPv6 is available only for QDIO and HiperSockets devices.

<i>Table 28. QDIO Interface Worksheet – Member 1</i>	
<b>Member 1:</b>	
Router type (select one):	<input type="checkbox"/> Primary <input type="checkbox"/> Secondary <input type="checkbox"/> None Router type is not available for layer 2 transport.
(IPv6 only) Router advertisements:	<input type="checkbox"/> On <input type="checkbox"/> Off
Maximum transmission unit (MTU) size:	
(Optional) Port number:	
(Optional) VLAN ID:	
<b>Note:</b> Only Ethernet network types are allowed.	

<i>Table 29. LCS Interface Worksheet – Member 1</i>	
<b>Member 1:</b>	
Port/adaptor number:	
Maximum transmission unit (MTU) size:	
<b>Note:</b> Only Ethernet network types are allowed.	

<i>Table 30. HiperSockets Interface Worksheet – Member 1</i>	
<b>Member 1:</b>	
(IPv6 only) Router advertisements:	<input type="checkbox"/> On <input type="checkbox"/> Off
Maximum frame size (MFS) in kilobytes:	
(Optional) VLAN ID:	

<i>Table 31. CTC Interface Worksheet – Member 1</i>	
<b>Member 1:</b>	
Write channel device number (select one):	<input type="checkbox"/> This choice contains the device number specified on the main z/VM TCP/IP Configuration Wizard panel. <input type="checkbox"/> This choice contains the device number specified on the main z/VM TCP/IP Configuration Wizard panel plus one.
Maximum transmission unit (MTU) size:	
Peer IP address:	

## Member 2

Table 32. Installation TCP/IP Configuration Worksheet – Member 2	
<b>Member 2:</b>	
z/VM user ID of the z/VM TCP/IP stack virtual machine:  (The default user ID is TCPIP. If you change this user ID, you must define the user ID in your user directory before issuing IPWIZARD.)	
Host name (20):	
Domain name (40):	
DNS IP address (up to three addresses):	1) _____ 2) _____ 3) _____
Gateway IP address :	
Interface name (16):	
Device number:	
IP address:	
IPv4 subnet mask (15) or IPv6 prefix length (3):	
(IPv4 only) Path MTU discovery:	<input type="checkbox"/> Enabled <input type="checkbox"/> Disabled
Choose the interface you will be using (select one):	<input type="checkbox"/> QDIO (layer 2) – see <a href="#">“QDIO layer 2” on page 285</a> <input type="checkbox"/> QDIO (layer 3) <input type="checkbox"/> LCS <input type="checkbox"/> HiperSockets <input type="checkbox"/> CTC  See the appropriate interface worksheet to record additional information.  IPv6 is available only for QDIO and HiperSockets devices.

<i>Table 33. QDIO Interface Worksheet – Member 2</i>	
<b>Member 2:</b>	
Router type (select one):	<input type="checkbox"/> Primary <input type="checkbox"/> Secondary <input type="checkbox"/> None Router type is not available for layer 2 transport.
(IPv6 only) Router advertisements:	<input type="checkbox"/> On <input type="checkbox"/> Off
Maximum transmission unit (MTU) size:	
(Optional) Port number:	
(Optional) VLAN ID:	
<b>Note:</b> Only Ethernet network types are allowed.	

<i>Table 34. LCS Interface Worksheet – Member 2</i>	
<b>Member 2:</b>	
Port/adaptor number:	
Maximum transmission unit (MTU) size:	
<b>Note:</b> Only Ethernet network types are allowed.	

<i>Table 35. HiperSockets Interface Worksheet – Member 2</i>	
<b>Member 2:</b>	
(IPv6 only) Router advertisements:	<input type="checkbox"/> On <input type="checkbox"/> Off
Maximum frame size (MFS) in kilobytes:	
(Optional) VLAN ID:	

<i>Table 36. CTC Interface Worksheet – Member 2</i>	
<b>Member 2:</b>	
Write channel device number (select one):	<input type="checkbox"/> This choice contains the device number specified on the main z/VM TCP/IP Configuration Wizard panel. <input type="checkbox"/> This choice contains the device number specified on the main z/VM TCP/IP Configuration Wizard panel plus one.
Maximum transmission unit (MTU) size:	
Peer IP address:	

## Member 3

Table 37. Installation TCP/IP Configuration Worksheet – Member 3	
<b>Member 3:</b>	
z/VM user ID of the z/VM TCP/IP stack virtual machine:  (The default user ID is TCPIP. If you change this user ID, you must define the user ID in your user directory before issuing IPWIZARD.)	
Host name (20):	
Domain name (40):	
DNS IP address (up to three addresses):	1) _____ 2) _____ 3) _____
Gateway IP address :	
Interface name (16):	
Device number:	
IP address:	
IPv4 subnet mask (15) or IPv6 prefix length (3):	
(IPv4 only) Path MTU discovery:	<input type="checkbox"/> Enabled <input type="checkbox"/> Disabled
Choose the interface you will be using (select one):	<input type="checkbox"/> QDIO (layer 2) – see <a href="#">“QDIO layer 2”</a> on page 285 <input type="checkbox"/> QDIO (layer 3) <input type="checkbox"/> LCS <input type="checkbox"/> HiperSockets <input type="checkbox"/> CTC  See the appropriate interface worksheet to record additional information.  IPv6 is available only for QDIO and HiperSockets devices.

<i>Table 38. QDIO Interface Worksheet – Member 3</i>	
<b>Member 3:</b>	
Router type (select one):	<input type="checkbox"/> Primary <input type="checkbox"/> Secondary <input type="checkbox"/> None Router type is not available for layer 2 transport.
(IPv6 only) Router advertisements:	<input type="checkbox"/> On <input type="checkbox"/> Off
Maximum transmission unit (MTU) size:	
(Optional) Port number:	
(Optional) VLAN ID:	
<b>Note:</b> Only Ethernet network types are allowed.	

<i>Table 39. LCS Interface Worksheet – Member 3</i>	
<b>Member 3:</b>	
Port/adapter number:	
Maximum transmission unit (MTU) size:	
<b>Note:</b> Only Ethernet network types are allowed.	

<i>Table 40. HiperSockets Interface Worksheet – Member 3</i>	
<b>Member 3:</b>	
(IPv6 only) Router advertisements:	<input type="checkbox"/> On <input type="checkbox"/> Off
Maximum frame size (MFS) in kilobytes:	
(Optional) VLAN ID:	

<i>Table 41. CTC Interface Worksheet – Member 3</i>	
<b>Member 3:</b>	
Write channel device number (select one):	<input type="checkbox"/> This choice contains the device number specified on the main z/VM TCP/IP Configuration Wizard panel. <input type="checkbox"/> This choice contains the device number specified on the main z/VM TCP/IP Configuration Wizard panel plus one.
Maximum transmission unit (MTU) size:	
Peer IP address:	

## Member 4

Table 42. Installation TCP/IP Configuration Worksheet – Member 4	
<b>Member 4:</b>	
z/VM user ID of the z/VM TCP/IP stack virtual machine:  (The default user ID is TCPIP. If you change this user ID, you must define the user ID in your user directory before issuing IPWIZARD.)	
Host name (20):	
Domain name (40):	
DNS IP address (up to three addresses):	1) _____ 2) _____ 3) _____
Gateway IP address :	
Interface name (16):	
Device number:	
IP address:	
IPv4 subnet mask (15) or IPv6 prefix length (3):	
(IPv4 only) Path MTU discovery:	<input type="checkbox"/> Enabled <input type="checkbox"/> Disabled
Choose the interface you will be using (select one):	<input type="checkbox"/> QDIO (layer 2) – see <a href="#">“QDIO layer 2” on page 285</a> <input type="checkbox"/> QDIO (layer 3) <input type="checkbox"/> LCS <input type="checkbox"/> HiperSockets <input type="checkbox"/> CTC  See the appropriate interface worksheet to record additional information.  IPv6 is available only for QDIO and HiperSockets devices.



<i>Table 43. QDIO Interface Worksheet – Member 4</i>	
<b>Member 4:</b>	
Router type (select one):	<input type="checkbox"/> Primary <input type="checkbox"/> Secondary <input type="checkbox"/> None Router type is not available for layer 2 transport.
(IPv6 only) Router advertisements:	<input type="checkbox"/> On <input type="checkbox"/> Off
Maximum transmission unit (MTU) size:	
(Optional) Port number:	
(Optional) VLAN ID:	
<b>Note:</b> Only Ethernet network types are allowed.	

<i>Table 44. LCS Interface Worksheet – Member 4</i>	
<b>Member 4:</b>	
Port/adapter number:	
Maximum transmission unit (MTU) size:	
<b>Note:</b> Only Ethernet network types are allowed.	

<i>Table 45. HiperSockets Interface Worksheet – Member 4</i>	
<b>Member 4:</b>	
(IPv6 only) Router advertisements:	<input type="checkbox"/> On <input type="checkbox"/> Off
Maximum frame size (MFS) in kilobytes:	
(Optional) VLAN ID:	

<i>Table 46. CTC Interface Worksheet – Member 4</i>	
<b>Member 4:</b>	
Write channel device number (select one):	<input type="checkbox"/> This choice contains the device number specified on the main z/VM TCP/IP Configuration Wizard panel. <input type="checkbox"/> This choice contains the device number specified on the main z/VM TCP/IP Configuration Wizard panel plus one.
Maximum transmission unit (MTU) size:	
Peer IP address:	







## Appendix N. IBM-supplied user IDs

The following user IDs are supplied with z/VM 730. All user IDs shipped by IBM in the default user directory include the statement ACCOUNT IBM. You can change the ACCOUNT information to conform to your location's accounting practices.

**Note:** For user IDs that have WD5JU8QP listed as the default password, WD5JU8QP will be replaced by the default password you selected when you installed your z/VM 730 system. If you used WD5JU8QP as your default password, you should change it to a password that conforms to your organization's security policies.

User ID	Type	Default password	Owning component	Functional area	Description
ADM	USER	NOLOG	VM	Posix	POSIX group
AUDITOR	IDENTITY	LBYONLY	VM	Operations	SVM monitoring server
AUTOLOG1	IDENTITY	WD5JU8QP	VM	Operations	VM Default system startup user ID
AUTOLOG2	IDENTITY	LBYONLY	RACF	Security	RACF system startup user ID
AVSVM	IDENTITY	LBYONLY	VM	Networking	SNA LU 6.2 comm server
BIN	USER	NOLOG	VM	Posix	POSIX group
BLDCMS	USER	LBYONLY	VM	Service	System maintenance build server
BLDNUC	USER	LBYONLY	VM	Service	System maintenance build server
BLDRACF	USER	LBYONLY	VM	Service	System maintenance build server
BLDSEG	USER	LBYONLY	VM	Service	System maintenance build server
CBDIODSP	IDENTITY	WD5JU8QP	VMHCD	HCD	HCD dispatcher server machine
CMSBATCH	IDENTITY	LBYONLY	VM	CMS Batch	CMS batch facility server
CSMSERVE	IDENTITY	LBYONLY	TCP/IP	Networking	TCP/IP Centralized Service Management (CSM) FTP server
CSMWORK	USER	WD5JU8QP	VM	Service	Centralized Service Management FTP work system
DAEMON	USER	NOLOG	VM	Posix	POSIX group
DATAMOVE	USER	AUTOONLY	DirMaint	Directory Mgmt	DirMaint disk data mover
DATAMOV2	USER	AUTOONLY	DirMaint	Directory Mgmt	DirMaint disk data mover
DATAMOV3	USER	AUTOONLY	DirMaint	Directory Mgmt	DirMaint disk data mover
DATAMOV4	USER	AUTOONLY	DirMaint	Directory Mgmt	DirMaint disk data mover
DEFAULT	USER	NOLOG	VM	Posix	POSIX group
DIRMAINT	USER	AUTOONLY	DirMaint	Directory Mgmt	DirMaint primary server
DIRMSAT	USER	AUTOONLY	DirMaint	Directory Mgmt	DirMaint satellite server
DIRMSAT2	USER	AUTOONLY	DirMaint	Directory Mgmt	DirMaint satellite server
DIRMSAT3	USER	AUTOONLY	DirMaint	Directory Mgmt	DirMaint satellite server
DIRMSAT4	USER	AUTOONLY	DirMaint	Directory Mgmt	DirMaint satellite server
DISKACNT	IDENTITY	LBYONLY	VM	Operations	Accounting data collector SVM
DTCSMAPI	IDENTITY	AUTOONLY	TCP/IP	SMAPI	Private TCP/IP stack for SMAPI components
DTCVSW1	IDENTITY	LBYONLY	TCP/IP	TCPIP	TCP/IP VSWITCH controller
DTCVSW2	IDENTITY	LBYONLY	TCP/IP	TCPIP	TCP/IP VSWITCH controller
DTCVSW3	IDENTITY	LBYONLY	TCP/IP	TCPIP	TCP/IP VSWITCH controller
DTCVSW4	IDENTITY	LBYONLY	TCP/IP	TCPIP	TCP/IP VSWITCH controller
EREP	IDENTITY	LBYONLY	VM	Operations	VM I/O error collector
FTPSEVERE	IDENTITY	LBYONLY	TCP/IP	TCPIP	TCP/IP FTP daemon
GCS	IDENTITY	AUTOONLY	VM	Networking	GCS recovery server
GSKADMIN	IDENTITY	LBYONLY	TCP/IP	TCPIP	TCP/IP SSL certificate admin
IBMUSER	USER	WD5JU8QP	RACF	RACF	Default RACF administrator (initial setup)
IBMVM1	USER	WD5JU8QP	VM	Security	Default LOGONBY user ID
LDAPSRV	IDENTITY	LBYONLY	TCP/IP	Networking	TCP/IP LDAP daemon
LGLOPR	IDENTITY	LBYONLY	VM	Operations	PROP logical operator
LOHCOST	IDENTITY	AUTOONLY	VM	SMAPI	SMAPI directory caching server
MAINT	IDENTITY	LBYONLY	VM	Operations	System maintenance resource owner ID
MAINTCSM	USER	WD5JU8QP	VM	Service	CSM command management ID, much like MAINTvm
MAINT730	USER	WD5JU8QP	VM	Service	z/VM 730 System maintenance ID
MIGMAINT	IDENTITY	WD5JU8QP	VM	INSTALL	System upgrade maintenance ID
MONWRITE	IDENTITY	LBYONLY	VM	Operations	Performance data collector
MPROUTE	IDENTITY	LBYONLY	TCP/IP	Networking	TCP/IP dynamic routing daemon
NOBODY	USER	NOLOG	VM	Posix	POSIX group name from POSIX standard
OPERATNS	IDENTITY	LBYONLY	VM	Operations	System dump manager
OPERATOR	IDENTITY	WD5JU8QP	VM	Operations	Primary system operator
OPERSYMP	IDENTITY	LBYONLY	VM	Operations	Dump symptom record collector
OP1	IDENTITY	WD5JU8QP	VM	Operations	PROP logical operator
PERFSVM	IDENTITY	LBYONLY	PERFTK	Performance	Performance Toolkit data collector server
PERSMAPI	IDENTITY	AUTOONLY	PERFTK	SMAPI	Performance Toolkit SMAPI performance data collector
PMAINT	USER	NOLOG	VM	Service	System maintenance resource owner ID
PORTMAP	IDENTITY	LBYONLY	TCP/IP	Networking	TCP/IP portmapper daemon
RACFSMF	IDENTITY	LBYONLY	RACF	Security	RACF SMF audit records processor and archiver
RACFVM	IDENTITY	WD5JU8QP	RACF	Security	RACF Production security server
RACMAINT	IDENTITY	LBYONLY	RACF	Security	RACF Test security server
REXECD	IDENTITY	LBYONLY	TCP/IP	Networking	TCP/IP rexec/rsh daemon
ROOT	USER	NOLOG	VM	Posix	POSIX group
RSCS	IDENTITY	LBYONLY	RSCS	Networking	RSCS Server
RSCSAUTH	IDENTITY	LBYONLY	RSCS	Networking	RSCS Dynamic authorization server
RSCSDNS	IDENTITY	LBYONLY	RSCS	Networking	RSCS Domain Name server
RXAGENT1	IDENTITY	LBYONLY	TCP/IP	Networking	TCP/IP rexec/rsh agent for anonymous access
SMTP	IDENTITY	LBYONLY	TCP/IP	Networking	TCP/IP SMTP daemon
SNMPD	IDENTITY	LBYONLY	TCP/IP	Networking	TCP/IP SNMP daemon
SNMPQE	IDENTITY	LBYONLY	TCP/IP	Networking	TCP/IP SNMP-NetView connector
SNMPSUBA	IDENTITY	LBYONLY	TCP/IP	Networking	TCP/IP VSWITCH SNMP subagent
SSL	IDENTITY	LBYONLY	TCP/IP	Networking	TCP/IP SSL servers
SSLDCCSSM	IDENTITY	AUTOONLY	TCP/IP	Networking	TCP/IP SSL server shared memory manager

User ID	Type	Default password	Owning component	Functional area	Description
SYS	USER	NOLOG	VM	Posix	POSIX group
SYSADMIN	USER	LBYONLY	RACF	Security	Sample RACF administrator
SYSDUMP1	IDENTITY	NOLOG	VM	Operations	Operations related User ID
SYSMAINT	USER	NOLOG	VM	Operations	Operations related User ID
SYSMON	IDENTITY	LBYONLY	VM	Operations	SYSWATCH monitor
TCP/IP	IDENTITY	LBYONLY	TCP/IP	Networking	TCP/IP stack
TCPMAINT	IDENTITY	LBYONLY	TCP/IP	Networking	TCP/IP administrator
TSAFVM	IDENTITY	LBYONLY	VM	Networking	TSAF cluster link manager
UFTD	IDENTITY	LBYONLY	TCP/IP	Networking	TCP/IP UFT daemon
VMNFS	IDENTITY	LBYONLY	TCP/IP	Networking	TCP/IP NFS daemon
VMRMADMN	IDENTITY	LBYONLY	VM	Operations	VMRM administrator
VMRMSVM	IDENTITY	LBYONLY	VM	Operations	Resource Manager server
VMSERVP	USER	LBYONLY	VM	Service	VMPFS filepool server
VMSERVR	IDENTITY	LBYONLY	VM	SFS	VMSYSR recovery server
VMSERVS	IDENTITY	LBYONLY	VM	SFS	VMSYS filepool server
VMSERVU	IDENTITY	LBYONLY	VM	SFS	VMSYSU filepool server
VMUTIL	IDENTITY	LBYONLY	VM	Operations	General VM utility server
VSMVSRV	IDENTITY	AUTOONLY	VM	SMAPI	SMAPI server - *VMEVENT
VSMGUARD	IDENTITY	AUTOONLY	VM	SMAPI	SMAPI server - Master
VSMREQIN	IDENTITY	AUTOONLY	VM	SMAPI	SMAPI server - IPv4
VSMREQIU	IDENTITY	AUTOONLY	VM	SMAPI	SMAPI server - IUCV
VSMREQI6	IDENTITY	AUTOONLY	VM	SMAPI	SMAPI server - IPv6
VSMWORK1	IDENTITY	AUTOONLY	VM	SMAPI	SMAPI transaction server
VSMWORK2	IDENTITY	AUTOONLY	VM	SMAPI	SMAPI transaction server
VSMWORK3	IDENTITY	AUTOONLY	VM	SMAPI	SMAPI transaction server
XCHANGE	IDENTITY	LBYONLY	RSCS	Networking	RSCS data interchange server
ZHPM	IDENTITY	LBYONLY	Future	Future	Reserved for future use
5684042J	USER	WD5JU8QP	ICKDSF	Service	ICKDSF Component System Resource Owner ID
7VMLEN30	USER	NOLOG	LE	Service	LE Component System Resource Owner ID
7VMDIR30	USER	WD5JU8QP	DirMaint	Service	DirMaint Component System Resource Owner ID
7VMHCD30	USER	WD5JU8QP	VMHCD	Service	VMHCD Component System Resource Owner ID
7VMPTK30	USER	WD5JU8QP	PERFTK	Service	PERFTK Component System Resource Owner ID
7VMRAC30	USER	WD5JU8QP	RACF	Service	RACF Component System Resource Owner ID
7VMRSC30	USER	WD5JU8QP	RSCS	Service	RSCS Component System Resource Owner ID
7VMTCP30	USER	NOLOG	TCP/IP	Service	TCP/IP Component System Resource Owner ID

Special user IDs in the default user directory (USER DIRECT):

There are a number of dummy user IDs defined in the default USER DIRECT. These user IDs are there to protect CP areas of the volume from being overlaid accidentally when defining new minidisks. You might want to update these entries when adding new volumes or CP areas to your system.

User ID	Type	Password	Description
\$ALLOC\$	USER	NOLOG	Protect cyl 0 allocation map
\$DIRECT\$	USER	NOLOG	Protect space allocated as DRCT
\$PAGE\$	USER	NOLOG	Protect space allocated as PAGE
\$SPOOL\$	USER	NOLOG	Protect space allocated as SPOL
\$SYSCKP\$	USER	NOLOG	Protect system checkpoint area
\$SYSWRM\$	USER	NOLOG	Protect system warmstart area
\$TDISK\$	USER	NOLOG	Protect space allocated as TDSK

The following user IDs were supplied with prior releases of z/VM, but are not shipped with z/VM 730. These IDs are now obsolete, but if you are upgrading to z/VM 730 from a release where these IDs were shipped, you must not have changed or deleted any of these IDs before upgrade.

- The following user IDs are in z/VM 710, but are not shipped in z/VM 730:

User ID	Description
MAINT710	z/VM 710 System maintenance ID
6VMLEN20	LE Component System Resource Owner ID
7VMDIR10	DirMaint Component System Resource Owner ID
7VMHCD10	VMHCD Component System Resource Owner ID
7VMPTK10	PERFTK Component System Resource Owner ID
7VMRAC10	RACF Component System Resource Owner ID
7VMRSC10	RSCS Component System Resource Owner ID
7VMTCP10	TCP/IP Component System Resource Owner ID

- The following user IDs are in z/VM 720, but are not shipped in z/VM 730:

User ID	Description
MAINT720	z/VM 720 System maintenance ID
6VMLEN20	LE Component System Resource Owner ID
7VMDIR20	DirMaint Component System Resource Owner ID
7VMHCD20	VMHCD Component System Resource Owner ID
7VMPTK20	PERFTK Component System Resource Owner ID
7VMRAC20	RACF Component System Resource Owner ID
7VMRSC20	RSCS Component System Resource Owner ID
7VMTCP20	TCP/IP Component System Resource Owner ID

---

## Appendix O. Update your current system manually with the STAGE1 changes

### **In this appendix, you will:**

- Manually make the changes to your current system identified in the \$STAGE1\$ \$TABLE\$.

### Step 1. Choose your update option

---

In a previous step, a file named \$STAGE1\$ \$TABLE\$ was generated on the MIGMAINT 2CF0 disk by the INSTUPGR command. This table contains a list of actions to be taken on your current system in order to complete the first stage of your system upgrade. Each entry in the table consists of one or more comment lines that describe an action to be taken and then one or more lines with more detailed information so that a program or a person could read the information and perform the action on a specific system.

There are three ways to complete these actions:

1. Run the INSTUPGR command with operand STAGE1 and option COMMIT. The programs supplied by IBM will read the \$STAGE1 \$TABLE\$ and perform all the actions listed. If you are using a directory manager program on your system and that program has provided an exit to work with the IBM upgrade code, that exit will be called to perform directory functions. If you edit your CP user directory manually, INSTUPGR will make the necessary changes to your CP user directory file, using the information you provided when you ran the INSTPLAN command. In either case, INSTUPGR will generate a file that will allow you to back out the changes made to this point. If you edit your CP user directory manually, backout will consist of restoring the user directory that existed before running INSTUPGR STAGE1 (COMMIT. Any changes made to the user directory by your normal procedures after STAGE1 (COMMIT begins would be lost. You need to document any changes made by your normal procedures so they can be restored after backout.
2. Manually update your system with the changes listed in the \$STAGE1\$ \$TABLE\$. You can perform all of the changes listed in the table and edit the table to mark them as complete. Note that some changes are dependent on earlier entries being complete. You must complete all entries in the order they appear in the table.

**Note:** If you choose this option, no backout file is created. If you decide *not* to use the upgrade installation procedure after you have made changes to your system, you will need to remove the changes manually.

3. Use a combination of options 1 and 2. If you prefer, you can make some of the required changes manually and allow the INSTUPGR program to make the rest. Note that some changes are dependent on earlier entries being complete. You must complete all entries in the order they appear in the table and you must complete all the entries that precede the changes you select to make manually. To use this method, make the changes you wish to make yourself first and update the \$STAGE1\$ \$TABLE\$ to mark just those changes as complete. Then run the INSTUPGR command with operand STAGE1 and option COMMIT. The INSTUPGR program will make any changes to your system that you have not marked as completed and it will update the \$STAGE1\$ \$TABLE\$ and all other required status tables. It will also generate a backout file. This backout file will only contain records for the changes that were made by the INSTUPGR program. If you decide *not* to use the upgrade installation procedure after you have made changes to your system, you will need to remove the changes you made manually.

No matter which option you choose, the changes listed in the \$STAGE1\$ \$TABLE\$ file must be completed *before* moving on to STAGE2.

If you are running DirMaint, do not recycle any DirMaint servers before you have completed Chapter 17, “Step 2. Review directory considerations” on page 173.

To use the INSTUPGR command to make your system changes, follow [“Step 1. Use INSTUPGR to make your STAGE1 system changes”](#) on page 164. (If you are upgrading members 2 to 4, follow [“Step 3. Use INSTUPGR to make your STAGE1 system changes”](#) on page 238.)

To make some of the changes to your system manually, follow [“Step 2. Make some of the STAGE1 changes to your system manually”](#) on page 301.

To make all of the changes to your system manually, follow [“Step 3. Make all of the STAGE1 changes to your system manually”](#) on page 302.



## Step 2. Make some of the STAGE1 changes to your system manually

From the MIGMAINT user ID on the system being upgraded:

1. Make sure the user ID meets the MIGMAINT user ID requirements in substep “4” on page 108.
2. Access the 24CC minidisk as file mode C.

```
access 24cc c
Ready; T=n.nn/n.nn hh:mm:ss
```

3. Access the 2CF0 minidisk as file mode E.

```
access 2cf0 e
Ready; T=n.nn/n.nn hh:mm:ss
```

4. Review the entries in the \$STAGE1\$ \$TABLE\$ to determine which changes you want to perform yourself.

Some changes are dependent on earlier entries being complete. You must complete all entries in the order they appear in the table, so you must also manually complete all the entries that precede the changes you select to make manually.

For each entry in the \$STAGE1\$ \$TABLE\$ that you selected to manually update on your system:

- a. See Appendix Q, “\$STAGE1\$ \$TABLE\$ entry definitions,” on page 307 for a description of the changes required for that entry.
  - b. Make the changes to your system. You should document the changes you made, for potential backout purposes.
  - c. Once an entry has been completed, update the entry in the \$STAGE1\$ \$TABLE\$ with a dash (-) in the first column to indicate that the entry has been completed.
5. After you have completed all of the changes you selected and you have updated the \$STAGE1\$ \$TABLE\$, go to Chapter 16, “Step 1. Use INSTUPGR to make your STAGE1 system changes ” on page 164 to complete the rest of the entries. (If you are upgrading members 2 to 4, return to Chapter 25, “Step 3. Use INSTUPGR to make your STAGE1 system changes ” on page 238 to complete the rest of the entries.)
  6. If you are running DirMaint, do not recycle any DirMaint servers before you have completed Chapter 17, “Step 2. Review directory considerations” on page 173.

**Note:** If you decide not to use the upgrade installation to upgrade this system, you should refer to Appendix S, “Removing changes made by STAGE1 (optional),” on page 339 for information on removing the changes made up to this point.

### Step 3. Make all of the STAGE1 changes to your system manually

---

From the MIGMAINT user ID on the system being upgraded:

1. Make sure the user ID meets the MIGMAINT user ID requirements in substep “4” on page 108.
2. Access the 24CC minidisk as file mode C.

```
access 24cc c
Ready; T=n.nn/n.nn hh:mm:ss
```

3. Access the 2CF0 minidisk as file mode E.

```
access 2cf0 e
Ready; T=n.nn/n.nn hh:mm:ss
```

4. Review the entries in the \$STAGE1\$ \$TABLE\$.

Some changes are dependent on earlier entries being complete. You must complete all entries in the order they appear in the table.

For each entry in the \$STAGE1\$ \$TABLE\$:

- a. See Appendix Q, “\$STAGE1\$ \$TABLE\$ entry definitions,” on page 307 for a description of the changes required for that entry.
  - b. Make the changes to your system. You should document the changes you made, for potential backout purposes.
  - c. Once an entry has been completed, update the entry in the \$STAGE1\$ \$TABLE\$ with a dash (-) in the first column to indicate that the entry has been completed.
5. Once all the changes are complete and you have updated the \$STAGE1\$ \$TABLE\$, run the INSTUPGR command to update the appropriate status tables so that you can proceed with the second stage of your upgrade installation.

```
instupgr stage1 (commit done)
IUGUPG8392I INSTUPGR ended successfully
Ready; T=n.nn/n.nn hh:mm:ss
```

6. If you are running DirMaint, do not recycle any DirMaint servers before you have completed Chapter 17, “Step 2. Review directory considerations” on page 173.

**Note:** If you decide not to use the upgrade installation to upgrade this system, you should refer to Appendix S, “Removing changes made by STAGE1 (optional),” on page 339 for information about removing the changes made up to this point.

#### What to do next

Go to Chapter 17, “Finish the STAGE1 upgrade,” on page 165. (If you are upgrading members 2 to 4, go to Chapter 25, “Step 4. Prepare to run the second stage of upgrade” on page 239.)

---

## Appendix P. Update your current system manually with the STAGE2 changes

### **In this appendix, you will:**

- Manually make the changes to your current system identified in the \$STAGE2\$ \$TABLE\$.

### Step 1. Choose your update option

---

In a previous step, a file named \$STAGE2\$ \$TABLE\$ was generated on MIGMAINT's 2CF0 disk by the INSTUPGR command. This table contains a list of actions to be taken on your current system in order to complete the second stage of your system upgrade. Each entry in the table consists of one or more comment lines that describe an action to be taken and then one or more lines with more detailed information so that a program or a person could read the information and perform the action on a specific system.

There are three ways to complete these actions:

- Run the INSTUPGR command with operand STAGE2 and option COMMIT. The programs supplied by IBM will read the \$STAGE2 \$TABLE\$ and perform all the actions listed. If you are using a directory manager program on your system and that program has provided an exit to work with the IBM upgrade code, that exit will be called to perform directory functions. If you edit your CP user directory manually, INSTUPGR will make the necessary changes to your CP user directory file, using the information you provided when you ran the INSTPLAN command.
- Manually update your system with the changes listed in the \$STAGE2\$ \$TABLE\$. You can perform all of the changes listed in the table and edit the table to mark them as complete. Note that some changes are dependent on earlier entries being complete. You must complete all entries in the order they appear in the table.
- Use a combination of the above two options. If you prefer, you can make some of the required changes manually and allow the INSTUPGR program to make the rest. Note that some changes are dependent on earlier entries being complete. You must complete all entries in the order they appear in the table and you must complete all the entries that precede the changes you select to make manually. To use this method, make the changes you wish to make yourself first and update the \$STAGE2\$ \$TABLE\$ to mark just those changes as complete. Then run the INSTUPGR command with operand STAGE2 and option COMMIT. The INSTUPGR program will make any changes to your system that you have not marked as completed and it will update the \$STAGE2\$ \$TABLE\$ and all other required status tables.

No matter which option you choose, the changes listed in the \$STAGE2\$ \$TABLE\$ file must be completed *before* moving on to [Chapter 21, “Finish your upgrade installation,” on page 191](#), or, if you are upgrading members 2 to 4, *before* moving on to [Chapter 26, “Finish your upgrade installation,” on page 243](#).

To use the INSTUPGR command to make your system changes, follow [“Step 1. Use INSTUPGR to make your STAGE2 system changes” on page 188](#). (If you are upgrading members 2 to 4, follow [“Step 6. Use INSTUPGR to make your STAGE2 system changes ” on page 241](#).)

To make some of the changes to your system manually, follow [“Step 2. Make some of the STAGE2 changes to your system manually ” on page 305](#).

To make all of the changes to your system manually, follow [“Step 3. Make all of the STAGE2 changes to your system manually ” on page 306](#).

## Step 2. Make some of the STAGE2 changes to your system manually

1. Log on to the MIGMAINT user ID on the system being upgraded. Make sure the user ID meets the MIGMAINT user ID requirements in substep “4” on page 108.
2. Access the 24CC minidisk as file mode C.

```
access 24cc c
Ready; T=n.nn/n.nn hh:mm:ss
```

3. Access the 2CF0 minidisk as file mode E.

```
access 2cf0 e
Ready; T=n.nn/n.nn hh:mm:ss
```

4. Review the entries in the \$STAGE2\$ \$TABLE\$ to determine which changes you want to perform yourself.

Some changes are dependent on earlier entries being complete. You must complete all entries in the order they appear in the table, so you must also manually complete all the entries that precede the changes you select to make manually.

For each entry in the \$STAGE2\$ \$TABLE\$ that you selected to manually update on your system:

- a. See Appendix R, “\$STAGE2\$ \$TABLE\$ entry definitions,” on page 323 for a description of the changes required for that entry.
  - b. Make the changes to your system.
  - c. After an entry has been completed, update the entry in the \$STAGE2\$ \$TABLE\$ with a dash (-) in the first column to indicate that the entry has been completed.
5. After you have completed all of the changes you selected and you have updated the \$STAGE2\$ \$TABLE\$, go to “Step 1. Use INSTUPGR to make your STAGE2 system changes” on page 188 to complete the rest of the entries. (If you are upgrading members 2 to 4, follow Chapter 25, “Step 6. Use INSTUPGR to make your STAGE2 system changes ” on page 241 to complete the rest of the entries.)

## Step 3. Make all of the STAGE2 changes to your system manually

---

1. Log on to the MIGMAINT user ID on the system being upgraded. Make sure the user ID meets the MIGMAINT user ID requirements in substep “4” on page 108.
2. Access the 24CC minidisk as file mode C.

```
access 24cc c
Ready; T=n.nn/n.nn hh:mm:ss
```

3. Access the 2CF0 minidisk as file mode E.

```
access 2cf0 e
Ready; T=n.nn/n.nn hh:mm:ss
```

4. Review the entries in the \$STAGE2\$ \$TABLE\$.

Some changes are dependent on earlier entries being complete. You must complete all entries in the order they appear in the table.

For each entry in the \$STAGE2\$ \$TABLE\$:

- a. See Appendix R, “\$STAGE2\$ \$TABLE\$ entry definitions,” on page 323 for a description of the changes required for that entry.
  - b. Make the changes to your system.
  - c. Once the entry has been completed, update the entry in the \$STAGE2\$ \$TABLE\$ with a dash (-) in the first column to indicate that the entry has been completed.
5. Once all the changes are complete and you have updated the \$STAGE2\$ \$TABLE\$, run the INSTUPGR command to update the appropriate status tables.

```
instupgr stage2 (commit done
IUGUPG8392I INSTUPGR ended successfully
Ready; T=n.nn/n.nn hh:mm:ss
```

### What to do next

Go to Chapter 21, “Finish your upgrade installation,” on page 191. (If you are upgrading members 2 to 4, go to Chapter 26, “Finish your upgrade installation,” on page 243.)

## Appendix Q. \$STAGE1\$ \$TABLE\$ entry definitions

This appendix lists the keywords that can be found in the entries in the \$STAGE1\$ \$TABLE\$ and describes the steps to update your system manually with the changes listed for each entry.

Note that the order of the entries in the \$STAGE1\$ \$TABLE\$ is the order in which the actions should be performed.

1	ATTVOLS
2	DDRMDISK DEFMDISK
3	DDRMDISK EXT3MDISK
4	DIRECT ADDMDISK
5	DIRECT ADDMDISKNB
6	DIRECT ADDMEMIDENT
7	DIRECT ADDMEMSUB
8	DIRECT ADDNEWUSER
9	DIRECT ADDRELLINK
10	DIRECT COMMON
11	DIRECT DELRELLINK
12	FILEPOOL ADDADMIN
13	FILEPOOL ADDRELF
14	FILEPOOL ADDSPACE
15	FILEPOOL CREATDIR
16	FILEPOOL ENROLLUSR
17	FILEPOOL GRANTAUTH
18	LOCALMOD COPYLCL
19	LOCALMOD UPDTSLMOD
20	SETPRODUCT
21	SYSCONF ADDEDEV
22	SYSCONF ADDPRODUCT
23	SYSCONF ADDRELVOL

These entries are described below:

### 1

The ATTVOLS keyword attaches a new volume to your running system.

#### Syntax:

```
ATTVOLS ATTACH dasdaddr SYSTEM label
```

**Example:** Attach the new volume with address CECB and label UGT3R1 to the system:

```
ATTVOLS ATTACH CECB SYSTEM UGT3R1
```

**Manual Instructions:** Issue the attach command that follows the ATTVOLS keyword. In this example:

```
ATTACH CECB SYSTEM UGT3R1
```

### 2

The DDRMDISK DEFMDISK keywords copy a minidisk from the work system to a disk that was added on the system being upgraded, using the DDR command. The disk on the work system is accessed by using the DEFINE MDISK command, and then the contents are copied to the extents defined for the new disk on the system being upgraded.

#### Syntax:

```
DDRMDISK DEFMDISK USER|IDENTITY userid|diskaddr
```

**Example:** Copy the contents of the VSMGUARD A91 minidisk from the work system volume to the VSMGUARD A91 minidisk that was added to the system being upgraded:

```
DDRMDISK DEFMDISK IDENTITY VSMGUARD A91
```

### Manual Instructions:

1. Issue the DEFINE MDISK command to define a minidisk overlay to the disk on the work system volume:

- Locate the minidisk statement in the user directory file for the work system (INSTUPGR \$USERDIR) located on the MIGMAINT 2CF0 disk. If the user type is IDENTITY, locate the minidisk statement contained in the SUBCONFIG that corresponds to the system being upgraded.
- Note the start location, disk size, and volume label for the disk. For example, if the MDISK statement for the MAINT 491 disk looks like this:

```
MDISK 491 3390 3298 030 IBMCM1 MR
```

the start location for the 491 disk is 3298, the size is 30, and the volume label is IBMCM1.

- Attach the address associated with the noted volume label (refer to [Table 14 on page 127](#) or [Table 15 on page 127](#) for addresses and volume labels) to your current system. In this example, if the address for the volume with label IBMCM1 is C11:

```
ATTACH C11 TO SYSTEM
```

d. Issue the DEFINE MDISK command:

```
DEFINE MDISK linkaddr start size vollabel
```

In this example:

```
DEFINE MDISK 1491 3298 30 IBMCM1
```

2. Link to the disk that was added to the upgrade system, in write mode. In this example:

```
LINK 7VMDIR30 491 2491 WR
```

3. Use DDR to copy from the overlay disk on the work system to the disk that was added on the system being upgraded. In this example:

```
DDR  
SYSPRINT CONS  
INPUT 1491 DASD  
OUTPUT 2491 DASD  
COPY ALL  
ENTER
```

4. Detach the overlay and new minidisks:

```
DETACH 2491  
DETACH 1491
```

5. Detach the work system volume from the system you are upgrading. In this example:



```
DETACH VOLID IBMCM1 FROM SYSTEM
```

---

**3**

The DDRMDISK EXT3MDISK keywords initialize a minidisk that was added on the system being upgraded by using DDR to restore a binary file that is shipped on the MAINT $vrm$  400 minidisk.

**Syntax:**

```
DDRMDISK EXT3MDISK USER|IDENTITY name
```

**Example:** Initialize the contents of the NEWID 100 minidisk that was added to the system being upgraded:

```
DDRMDISK EXT3MDISK IDENTITY NEWID 100
```

**Manual Instructions:**

1. Link MAINT730 400 disk and access as X
2. Link MAINT730 493 disk and access as Z
3. Link to the disk to be initialized (in this example NEWID 100) as *vaddr* in write mode:

```
LINK NEWID 100 100 WR
```

4. Run the DDRREST EXEC to initialize the disk using the image file for either 3390 or FBA DASD.

For 3390:

```
DDRREST vaddr ECKD100 IMAGE X
```

In this example, if your system is installed on 3390 DASD:

```
DDRREST 100 ECKD100 IMAGE X
```

For FBA:

```
DDRREST vaddr FBA100 IMAGE X
```

In this example, if system is installed on FBA DASD:

```
DDRREST 100 FBA100 IMAGE X
```

5. Detach the minidisk that was initialized. In this example:

```
DETACH 100
```

---

**4**

The DIRECT ADDMDISK keywords update the user directory to add a new minidisk to an existing user ID.

**Syntax:**

## \$STAGE1\$ \$TABLE\$ entry definitions

```
DIRECT ADDMDISK {USER username *} | {SUBCONFIG UNKNOWNSUB identname}  
mdaddr BK|NOBK {NOFMT | FMT label blocksize} mdiskstatement
```

- BK**            Need to keep track for backout.
- NOBK**         Do not need to keep track for backout.
- FMT**          Format the disk with label and block size indicated.
- NOFMT**        Do not format the disk.

**Example:** Update the user directory to add a new minidisk, A91, to the existing SUBCONFIG entry for IDENTITY VSMWORK1 that is associated with the system you are upgrading:

```
DIRECT ADDMDISK SUBCONFIG UNKNOWNSUB VSMWORK1 A91 BK NOFMT  
MDISK A91 3390 2728 005 UG1W01 MR ALL ALL ALL
```

**Manual Instructions:** Using your site's procedures to update the user directory, add the A91 minidisk statement shown to the SUBCONFIG for VSMWORK1 that is built on the system being upgraded. You should include this disk in your backout log (BK option) and you do not need to format this minidisk (NOFMT).

1. Determine the name of the SUBCONFIG for this system by examining the BUILD ON statement for the system you are upgrading in the IDENTITY entry in the USER DIRECT file for VSMWORK1:

```
BUILD ON * | systemname USING SUBCONFIG VSMWK1-1
```

In this example, VSMWK1-1 is the name of the SUBCONFIG.

2. Add the MDISK statement that was included on the entry in the \$STAGE1\$ \$TABLE\$ to the SUBCONFIG entry for VSMWK1-1.

If you edit your USER DIRECT file directly, the MDISK statement includes the correct extent information for the new disk:

```
MDISK A91 3390 2728 005 UG1W01 MR ALL ALL ALL
```

If you use a directory manager product, the MDISK statement contains the word NULL instead of a starting extent, followed by the disk size, volume label and password information. Use this information to have your directory manager product define the new disk:

```
MDISK A91 3390 NULL 005 UG1W01 MR ALL ALL ALL
```

3. If you edit your user directory directly, put the new version of the directory online:

```
DIRECTXA USER DIRECT
```

If you use a directory manager product, ensure that the directory manager puts the updated information online immediately.

---

### 5

The DIRECT ADDMDISKNB keywords update the user directory to add a new minidisk. No backout is needed for the disk because the user or subconfig this disk belongs to was also just added, and the disk will be removed when the user/subconfig added is backed out. The disk should not be formatted.

**Syntax:**

```
DIRECT ADDMDISKNB USER username mdiskstatement
DIRECT ADDMDISKNB SUBCONFIG subconfname membername identname mdiskstatement
```

**Example:** Add new minidisk 191 for new subconfig NEWID-1 to the user directory:

```
DIRECT ADDMDISKNB SUBCONFIG NEWID-1 UPGRMEM1 NEWID
MDISK 191 3390 1 001 UG1W02 MR READ WRITE MULTIPLE
```

**Manual Instructions:** Using your site's procedures to add minidisks, add the 191 minidisk statement shown to new SUBCONFIG NEWID-1. You should *not* need to include this disk in your backout log because if you delete the new SUBCONFIG, the new disk will be deleted at the same time. You do *not* need to format this minidisk.

1. Add the MDISK statement that was included on the entry in the \$STAGE1\$ \$TABLE\$ to the SUBCONFIG entry for NEWID-1.

If you edit your USER DIRECT file directly, the MDISK statement includes the correct extent information for the new disk:

```
MDISK 191 3390 1 001 UG1W02 MR READ WRITE MULTIPLE
```

If you use a directory manager product, the MDISK statement contains the word NULL instead of a starting extent, followed by the disk size, volume label and password information. Use this information to have your directory manager product define the new disk:

```
MDISK 191 3390 NULL 001 UG1W02 MR READ WRITE MULTIPLE
```

2. If you edit your user directory directly, put the new version of the directory online:

```
DIRECTXA USER DIRECT
```

If you use a directory manager product, ensure that the directory manager puts the updated information online immediately.

## 6

The DIRECT ADDMEMIDENT keywords update the user directory to add a new IDENTITY entry. The information for the new IDENTITY entry is contained in a file named *identname* \$DIRADD\$, which is found on the MIGMAINT 2CF0 minidisk.

### Syntax:

```
DIRECT ADDMEMIDENT identname $DIRADD$ 2CF0
```

**Example:** Add a new IDENTITY entry, in this example NEWID, to the user directory using the contents of the NEWID \$DIRADD\$ file that was created on the MIGMAINT 2CF0 disk:

```
DIRECT ADDMEMIDENT NEWID $DIRADD$ 2CF0
```

**Manual Instructions:** Following your site's procedures to update the user directory, use the information in the NEWID \$DIRADD\$ file to add the new IDENTITY NEWID to your user directory. You should include this task in your backout log. If you edit your user directory directly, put the new version of the directory online:

```
DIRECTXA USER DIRECT
```

If you use a directory manager product, ensure that the directory manager puts the updated information online immediately.

---

### 7

The DIRECT ADDMEMSUB keywords update the user directory to add a new SUBCONFIG entry and associate the SUBCONFIG entry with an existing IDENTITY entry. The information for the new SUBCONFIG entry is contained in a file named *subconfigname* \$DIRADD\$, which is found on the MIGMAINT 2CF0 minidisk.

#### Syntax:

```
DIRECT ADDMEMSUB subconfname $DIRADD$ 2CF0 membername identity
```

**Example:** Add the new subconfig, in this example NEWID-1, to the user directory using the contents of the NEWID-1 \$DIRADD\$ file that was created on the MIGMAINT 2CF0 disk and associate the new SUBCONFIG with system UPGRMEM1 in IDENTITY NEWID:

```
DIRECT ADDMEMSUB NEWID-1 $DIRADD$ 2CF0 UPGRMEM1 NEWID
```

**Manual Instructions:** Following your site's procedures to update your user directory. You should include this task in your backout log.

If you edit your user directory directly:

1. Add a BUILD ON statement to the IDENTITY for this system:

- If UPGRMEM1 is a member of an SSI cluster:

```
BUILD ON UPGRMEM1 USING SUBCONFIG NEWID-1
```

- If UPGRMEM1 is *not* a member of an SSI cluster:

```
BUILD ON * USING SUBCONFIG NEWID-1
```

2. Add the SUBCONFIG NEWID-1 to the user directory. The subconfig definition is in the file NEWID-1 \$DIRADD\$, which is located on MIGMAINT's 2CF0 disk.
3. Put the new version of the directory online:

```
DIRECTXA USER DIRECT
```

If you use a directory manager product, use the information in the NEWID-1 \$DIRADD\$ file to update the user directory and to associate the new SUBCONFIG with IDENTITY NEWID and make sure the directory manager puts the updated information online immediately.

---

### 8

The DIRECT ADDNEWUSER keywords update the user directory to add a new USER entry. The information for the new USER entry is contained in a file named *username* \$DIRADD\$, which is found on the MIGMAINT 2CF0 minidisk. Regardless of whether you use a directory manager, you should use all of the information in the *username* \$DIRADD\$ file exactly as it appears, including all minidisk definitions.

#### Syntax:

```
DIRECT ADDNEWUSER username $DIRADD$ 2CF0
```

**Example:** Add the new USER, in this example MAINT730, to the user directory using the contents of the MAINT730 \$DIRADD\$ file that was created on the MIGMAINT 2CF0 disk:

```
DIRECT ADDNEWUSER MAINT730 $DIRADD$ 2CF0
```

**Manual Instructions:** Following your site's procedures to update the user directory, use the information in the MAINT730 \$DIRADD\$ file to add the new USER MAINT730 entry to your user directory. You should include this task in your backout log. These disks should *not* be formatted if you need to back out this task. If you edit your user directory directly, put the new version of the directory online:

```
DIRECTXA USER DIRECT
```

If you use a directory manager product, use the contents of the MAINT730 \$DIRADD\$ file as input to your directory manager, including the minidisk definitions. Ensure that the directory manager puts the updated information online immediately.

---

**9**

The DIRECT ADDRELLINK keywords update the user directory to add a link statement to an existing directory entry (USER, IDENTITY or SUBCONFIG). You should include this link change in your backout log.

**Syntax:**

```
DIRECT ADDRELLINK USER|IDENTITY|SUBCONFIG username|identname linkstatement
```

**Example:** Add the link statement, in this example, LINK MAINT730 493 493 RR, to the directory entry for the SUBCONFIG for IDENTITY MAINT that is associated with the system being upgraded:

```
DIRECT ADDRELLINK SUBCONFIG MAINT LINK MAINT730 493 493 RR
```

**Manual Instructions:** Using your site's procedures to update the user directory, add the link statement shown to the SUBCONFIG for MAINT that is built on the system being upgraded. You should include this link in your backout log.

1. Determine the name of the SUBCONFIG for this system by examining the BUILD ON statement for the system you are upgrading in the IDENTITY entry in the USER DIRECT file for MAINT:

```
BUILD ON * | systemname USING SUBCONFIG MAINT-1
```

In this example, MAINT-1 is the name of the SUBCONFIG.

2. Add the LINK statement that was included on the entry in the \$STAGE1\$ \$TABLE\$ to the SUBCONFIG entry for MAINT-1:

```
LINK MAINT730 493 493 RR
```

3. If you edit your user directory directly, put the new version of the directory online:

```
DIRECTXA USER DIRECT
```

If you use a directory manager product, ensure that the directory manager puts the updated information online immediately.

---

**10**

The DIRECT COMMON keywords update the user directory to change a statement on an existing directory entry (USER, IDENTITY or SUBCONFIG).

### Syntax:

```
DIRECT COMMON action uptype USER|IDENTITY|SUBCONFIG userid input
```

where *action* is ADD, DELETE, or REPLACE, *uptype* is OPTION, NAMESAVE, VSTOR, or IPL, and *input* contains the information that will be added to, deleted from, or replaced in the directory entry for *userid*. If the *uptype* is OPTION, combine the *uptype* and the *input* to develop the directory statement. If the *uptype* is NAMESAVE or IPL, then *input* contains the required directory statement. If the *uptype* is VSTOR then *input* contains the new storage value to be replaced on the current statement.

**Example:** ADD the following OPTION to the user directory entry for IDENTITY VSMGUARD:

```
DIRECT COMMON ADD OPTION IDENTITY VSMGUARD LNKNOPAS
```

**Manual Instructions:** Using your site's procedures to update the user directory, add, delete, or replace the directory statement defined by the \$STAGE1\$ \$TABLE\$ entry. In this example, you should add an OPTION statement to the directory entry for IDENTITY VSMGUARD that includes option LNKNOPAS.

1. Add the OPTION statement that was defined on the entry in the \$STAGE1\$ \$TABLE\$ to the IDENTITY entry for VSMGUARD:

```
OPTION LNKNOPAS
```

2. If you edit your user directory directly, put the new version of the directory online:

```
DIRECTXA USER DIRECT
```

If you use a directory manager product, ensure that the directory manager puts the updated information online immediately.

---

### 11

The DIRECT DELRELLINK keywords update the user directory to delete a link statement from an existing directory entry (USER, IDENTITY or SUBCONFIG). You should include this link change in your backout log.

### Syntax:

```
DIRECT DELRELLINK USER|IDENTITY|SUBCONFIG username|identname linkstatement
```

**Example:** Delete the link statement, in this example, LINK MAINT730 493 493 RR, from the directory entry for the SUBCONFIG for IDENTITY MAINT that is associated with the system being upgraded:

```
DIRECT DELRELLINK SUBCONFIG MAINT LINK MAINT730 493 493 RR
```

**Manual Instructions:** Using your site's procedures to update the user directory, delete the link statement shown from the SUBCONFIG for MAINT that is built on the system being upgraded. You should include this link change in your backout log.

1. Determine the name of the SUBCONFIG for this system by examining the BUILD ON statement for the system you are upgrading in the IDENTITY entry in the USER DIRECT file for MAINT:

```
BUILD ON * | systemname USING SUBCONFIG MAINT-1
```

In this example, MAINT-1 is the name of the SUBCONFIG.

2. Delete the LINK statement that was included on the entry in the \$STAGE1\$ \$TABLE\$ to the SUBCONFIG entry for MAINT-1:

```
LINK MAINT730 493 493 RR
```

3. If you edit your user directory directly, put the new version of the directory online:

```
DIRECTXA USER DIRECT
```

If you use a directory manager product, ensure that the directory manager puts the updated information online immediately.

**12**

The FILEPOOL ADDADMIN keywords enroll a new administrator to an existing file pool.

**Syntax:**

```
FILEPOOL ADDADMIN fpoolname fpooluid users2add
```

**Example:** Enroll as an administrator the user IDs listed in the FILEPOOL ADDADMIN entry in the \$STAGE1\$ \$TABLE\$, in this example, MAINT730, for the file pool listed, in this example, VMSYSU running on server user ID VMSERVU.

```
FILEPOOL ADDADMIN VMSYSU VMSERVU MAINT730
```

**Manual Instructions:**

1. Enroll as an administrator. In this example, MAINT730 in VMSYSU.

```
ENROLL ADMINISTRATOR MAINT730 VMSYSU
```

**13**

The FILEPOOL ADDRELFS keywords add a new filespace to an existing file pool. You should include this task in your backout log.

**Syntax:**

```
FILEPOOL ADDRELFS fpname filespace UNLOAD 2191
```

**Example:** Load the new filespace, 7VMDIR30, to the VMPSFS file pool:

```
FILEPOOL ADDRELFS VMPSFS 7VMDIR30 UNLOAD 2191
```

**Manual Instructions:**

1. Access MIGMAINT 2191 Z.
2. Link and access MAINT 193:

## \$STAGE1\$ \$TABLE\$ entry definitions

```
LINK MAINT 193 193 RR
ACCESS 193 X
```

3. Enter the FILEWAIT command:

```
SET FILEWAIT ON
```

4. Enter the FILEDEF command to define the input file *fspacename* UNLOAD Z. In this example:

```
FILEDEF RELOAD DISK 7VMDIR30 UNLOAD Z
```

5. Enter the FILEPOOL command to load the *fspacename* into *fpoolname*. In this example:

```
FILEPOOL RELOAD FILESPACE 7VMDIR30 VMPSFS
```

6. Reply '1' to the prompt.

---

### 14

The FILEPOOL ADDSPACE keywords increase the storage space available for a user that is enrolled in a file pool.

#### Syntax:

```
FILEPOOL ADDSPACE BK|NOBK fpoolname filespaceid fpoolcmd
```

**BK**            Need to keep track for backout.

**NOBK**        Do not need to keep track for backout.

**Example:** Increase the amount of storage space that can be used in the VMSYS file pool by user VSMWORK1:

```
FILEPOOL ADDSPACE BK VMSYS VSMWORK1 MODIFY USER +1000 FOR VSMWORK1 VMSYS
```

**Manual Instructions:** Increase the amount of space that can be used by user VSMWORK1 by issuing the MODIFY USER command as specified by the FILEPOOL ADDSPACE entry in the \$STAGE1\$ \$TABLE\$. In this example, enter the following command:

```
MODIFY USER +1000 FOR VSMWORK1 VMSYS
```

---

### 15

The FILEPOOL CREATDIR keywords update a file pool to create a new directory in an existing file pool.

#### Syntax:

```
FILEPOOL CREATDIR BK|NOBK fpoolname filespacename fpoolcmd
```

**BK**            Need to keep track for backout.

**NOBK**        Do not need to keep track for backout.

**Example:** Update the VMSYS file pool to create the new directory VMSYS:VSMWORK1.STATUS:



```
FILEPOOL CREATDIR BK VMSYS VSMWORK1 CREATE DIRECTORY VMSYS:VSMWORK1.STATUS
```

**Manual Instructions:** Create the directory indicated by issuing the CREATE DIRECTORY command as specified by the FILEPOOL CREATDIR entry in the \$STAGE1\$ \$TABLE\$. In this example, enter the following command:

```
CREATE DIRECTORY VMSYS:VSMWORK1.STATUS
```

**16**

The FILEPOOL ENROLLUSR keywords update a file pool to enroll a new user in an existing file pool.

**Syntax:**

```
FILEPOOL ENROLLUSR BK|NOBK fpoolname username fpoolcmd
```

**BK**            Need to keep track for backout.

**NOBK**        Do not need to keep track for backout.

**Example:** Update the VMPSFS file pool to enroll the new user MAINT730:

```
FILEPOOL ENROLLUSR BK VMPSFS MAINT730 ENROLL USER MAINT730 VMPSFS:
```

**Manual Instructions:** Enroll a new user in an existing file pool by issuing the ENROLL USER command as specified by the FILEPOOL ENROLLUSR entry in the \$STAGE1\$ \$TABLE\$. In this example, enter the following command:

```
ENROLL USER MAINT730 VMPSFS:
```

**17**

The FILEPOOL GRANTAUTH keywords update a file pool to grant authority to a user in an existing file pool.

**Syntax:**

```
FILEPOOL GRANTAUTH BK|NOBK fpoolname username fpoolcmd
```

**BK**            Need to keep track for backout.

**NOBK**        Do not need to keep track for backout.

**Example:** Update the VMSYS file pool to grant authority to VSMGUARD in the VMSYS:VSMWORK1.STATUS directory:

```
FILEPOOL GRANTAUTH BK VMSYS VSMWORK1 GRANT AUTHORITY
VMSYS:VSMWORK1.STATUS TO VSMGUARD ( WRITE NEWWRITE
```

**Manual Instructions:** Grant authority to a user in an existing file pool by issuing the GRANT AUTHORITY command as specified by the FILEPOOL GRANTAUTH entry in the \$STAGE1\$ \$TABLE\$. In this example, enter the following command:

```
GRANT AUTHORITY VMSYS:VSMWORK1.STATUS TO VSMGUARD ( WRITE NEWWRITE
```

### 18

The LOCALMOD COPYLCL keywords copy local modifications from the local modification disks for the current z/VM release to the new release local modifications disk. There are two versions of this entry: one to copy the VVTLCL file and one to copy the local modifications files.

**Version 1:** Copy the *sourceprodid* VVTLCL file to the new local modifications disk as *targetprodid* VVTLCL.

#### Version 1 Syntax:

```
LOCALMOD COPYLCL FROM sourceuserid sourcedisk sourceprodid VVTLCL  
TO targetuserid targetdisk targetprodid VVTLCL
```

**Version 1 Example:** Copy the 7VMCMS10 VVTLCL file to the new local modifications disk as 7VMCMS30 VVTLCL:

```
LOCALMOD COPYLCL FROM MAINT710 3C4 7VMCMS10 VVTLCL TO MAINT730 3C4  
7VMCMS30 VVTLCL
```

#### Version 1 Manual Instructions:

1. Link and access the *sourceuserid sourcedisk*. In this example: link and access MAINT710 3C4:

```
LINK MAINT710 3C4 13C4 RR  
ACCESS 13C4 G
```

2. Link and access the *targetuserid targetdisk* in write mode. In this example: link and access MAINT730 3C4:

```
LINK MAINT730 3C4 23C4 WR  
ACCESS 23C4 H
```

3. Copy the VVTLCL file from the *sourceuserid* disk to the *targetuserid* disk, changing the filename to the *targetprodid*. In this example:

```
COPYFILE 7VMCMS10 VVTLCL G 7VMCMS30 VVTLCL H (OLDDATE
```

4. Release and detach the disks that were linked and accessed:

```
RELEASE G (DETACH  
RELEASE H (DETACH
```

**Version 2:** Copy the local modifications files to the new local modifications disk.

#### Version 2 Syntax:

```
LOCALMOD COPYLCL FROM sourceuserid sourcedisk pfn * TO targetuserid targetdisk  
pfn =
```

#### Version 2 Example:

```
LOCALMOD COPYLCL FROM MAINT710 3C4 TELL * TO MAINT730 3C4 TELL =
```

**Version 2 Manual Instructions:**

1. Link and access the *sourceuserid sourcedisk*. In this example: link and access MAINT710 3C4:

```
LINK MAINT710 3C4 13C4 RR
ACCESS 13C4 G
```

2. Link and access the *targetuserid targtdisk* in write mode. In this example: link and access MAINT730 3C4:

```
LINK MAINT730 3C4 23C4 WR
ACCESS 23C4 H
```

3. Copy the local modifications files from the *sourceuserid* disk to the *targetuserid* disk. In this example:

```
COPYFILE TELL * G TELL = H (OLDDATE
```

4. Release and detach the disks that were linked and accessed:

```
RELEASE G (DETACH
RELEASE H (DETACH
```

**19**

The LOCALMOD UPDTSLMOD keywords update the SYSLMOD table on MAINT730's 51D disk to indicate local mods have been added.

**Syntax:**

```
LOCALMOD UPDTSLMOD ADD VMFSIM MODIFY VM SYSLMOD Z TDATA
:LMOD lmoddata :STAT statdata :CUSTYPE custdata
```

**Example:** Update the VM SYSLMOD table on MAINT730's 51D disk:

```
LOCALMOD UPDTSLMOD ADD VMFSIM MODIFY VM SYSLMOD Z TDATA
:LMOD 7VMCMS30%CMS.TELL.SXE.0002.VVTLCL
:STAT REWORK.mm/dd/yy.hh:mm:ss.MIGMAINT
:CUSTYPE LOCALMOD (ADD
```

**Manual Instructions:**

1. Link MAINT730's 51D disk in write mode:

```
LINK MAINT730 51D 151D WR
```

2. Access MAINT730's 51D disk as Z.
3. Update the SYSLMOD table by issuing the VMFSIM MODIFY command as specified by the LOCALMOD UPDTSLMOD entry. Substitute the current date and time for UPDDATE.UPDTIME. The format is *mm/dd/yy.hh:mm:ss*. In this example, enter the following command:

```
VMFSIM MODIFY VM SYSLMOD Z TDATA :LMOD 7VMCMS30%CMS.TELL.SXE.0002.VVTLCL
:STAT REWORK.UPDDATE.UPDTIME.MIGMAINT :CUSTYPE LOCALMOD (ADD
```

4. Release and detach the disk that was linked and accessed:

```
RELEASE Z (DETACH
```

---

### 20

The SETPRODUCT keyword issues the SET PRODUCT command to set the enablement status (ENABLED or DISABLED) of a product on your running system.

#### Syntax:

```
SETPRODUCT SET PRODUCT prodid STATE prodstat
```

**Example:** Set the status for product 7VMPTK30 to ENABLED on the running system:

```
SETPRODUCT SET PRODUCT 7VMPTK30 STATE ENABLED
```

**Manual Instructions:** Set the status of the product on your running system by issuing the SET PRODUCT command as specified by the SETPRODUCT entry. In this example:

```
SET PRODUCT 7VMPTK30 STATE ENABLED
```

---

### 21

The SYSCONF ADDEDEV keywords update the system configuration file to add an edevice statement for a new volume. There are two versions of this entry. Use Version 1 if the edevice details were available during INSTUPGR STAGE1 (PRIME. Use Version 2 if the edevice details were not available.

#### Version 1 Syntax:

```
SYSCONF ADDEDEV 1 edevice addr type fba attr SCSI fcp_dev fcpaddr  
wwpn wwpnaddr lun lunaddr
```

#### Version 2 Syntax:

```
SYSCONF ADDEDEV 2 edevice addr is not an emulated device
```

**Example:** Add the edevice statement to your system configuration file.

Version 1:

```
SYSCONF ADDEDEV 1 edevice 6505 type fba attr SCSI fcp_dev 1F01  
wwpn 500507630B00C038 lun 401140F100000000
```

Version 2:

```
SYSCONF ADDEDEV 2 edevice 6505 is not an emulated device
```

#### Manual Instructions:

1. Link and access the disk containing your system configuration file:

```
LINK PMAINT CF0 CF0 WR
ACCESS CF0 Z
```

2. Update the system configuration file to add the new edevice statement. In this example:

Version 1:

```
edevice 6505 type fba attr SCSI fcp_dev 1F01 wwpn 500507630B00C038
lun 401140F100000000
```

Version 2:

- a. If a real edevice statement is required, you should determine the details of the device and add an edevice statement with the correct attributes.
- b. If a real edevice statement is not required, do one of the following:
  - Add the entry (commented out) to document the device added:

```
/* edevice 6505 is not an emulated device */
```

- Choose to skip adding an edevice statement.

3. Save the changes you made to the system configuration file and release and detach the disk that was linked and accessed:

```
RELEASE Z (DETACH
```

## 22

The SYSCONF ADDPRODUCT keywords update the system configuration file to permanently set the enablement status (ENABLED or DISABLED) of a product on your system.

### Syntax:

```
SYSCONF ADDPRODUCT product prodstat
```

**Example:** Add the PRODUCT statement for 7VMPTK30 to your system configuration file. The entire PRODUCT statement is documented in the comments preceding the SYSCONF ADDPRODUCT entry in the \$STAGE1\$ \$TABLE\$. For example:

```
* Add the following product statement for 7VMPTK30 to SYSTEM CONFIG
* PRODUCT PRODIG 7VMPTK30 STATE DISABLED DESCRIPTION
* '00/00/00.00:00:00.$UPGRADE PERFORMANCE TOOLKIT FOR VM'
SYSCONF ADDPRODUCT 7VMPTK30 DISABLED
*
SYSCONF ADDPRODUCT 7VMPTK30 ENABLED
```

### Manual Instructions:

1. Link and access the disk containing your system configuration file:

```
LINK PMAINT CF0 CF0 WR
ACCESS CF0 Z
```

2. Update the system configuration file to permanently set the status of the product on your system by adding the PRODUCT statement with the STATE specified by the SYSCONF ADDPRODUCT entry. In this example:

## \$STAGE1\$ \$TABLE\$ entry definitions

```
PRODUCT PROID 7VMPTK30 STATE DISABLED DESCRIPTION  
'00/00/00.00:00:00.$UPGRADE  
PERFORMANCE TOOLKIT FOR VM'
```

3. Save the changes you made to the system configuration file and release and detach the disk that was linked and accessed:

```
RELEASE Z (DETACH
```

---

### 23

The SYSCONF ADDRELVOL keywords update the system configuration file to add a new User\_Volume\_List statement that includes the labels for the new release volumes.

#### Syntax:

```
SYSCONF ADDRELVOL User_Volume_List volumeLabels
```

**Example:** Add the release volumes to your system configuration file by adding the User\_Volume\_List statement:

```
SYSCONF ADDRELVOL User_Volume_List UGT3R1 UGT3R2
```

#### Manual Instructions:

1. Link and access the disk containing your system configuration file:

```
LINK PMAINT CF0 CF0 WR  
ACCESS CF0 Z
```

2. Update the system configuration file to add the new release volumes statement listed in the SYSCONF ADDRELVOL entry in the \$STAGE1\$ \$TABLE\$. In this example:

```
User_Volume_List UGT3R1 UGT3R2
```

## Appendix R. \$STAGE2\$ \$TABLE\$ entry definitions

This appendix lists the keywords that can be found in the entries in the \$STAGE1\$ \$TABLE\$ and describes the steps to update your system manually with the changes listed for each entry.

Note that the order of the entries in the \$STAGE2\$ \$TABLE\$ is the order in which the actions should be performed.

1	CPYFIL
2	DDRMDISK MDISK
3	DIRECT DELENTRY
4	DIRECT DELRELLINK
5	DIRECT MOVEMDISK
6	FILEPOOL ADDADMIN
7	MIGDISK COPY
8	MIGDISK ERASE
9	PARTNOTIFY
10	SESCMD
11	SESMOVE COPY
12	SESMOVE ERASE
13	UPDDISK COPY
14	UPDDISK ERASE

These entries are described below:

- 1 The CPYFIL keyword copies a file. CPYFIL REPLace replaces the file if it exists. CPYFIL NOREPL returns an error if the file already exists.

### Syntax:

```
CPYFIL REPLace|NOREPL sourcelinktype sourcefname sourceftype * sourceuserid
sourcedisk
targetlinktype targetfname targetftype * targetuserid targetdisk
```

### **sourcelinktype**

Method used to access the disk where the file resides: LINKACC|ACCDIR|MDISK. LINKACC is specified if the source location is a minidisk, accessed using the LINK and ACCESS commands. ACCDIR is specified if the source location is an SFS directory which is just accessed with the ACCESS command. MDISK is specified if the source location is located on a work system volume that must be accessed using the DEFINE MDISK command. For instructions on how to access a disk using DEFINE MDISK, see the DDRMDISK keyword.

### **sourcefname**

File name of the file to be copied.

### **sourceftype**

File type of the file to be copied.

### **sourceuserid**

User ID that owns the disk where the file resides. If the file is in an SFS directory the value of this field is "DIR".

### **sourcedisk**

Minidisk or SFS directory where the file resides.

### **targetlinktype**

Method used to access the disk where the file will be copied: LINKACC|ACCDIR|MDISK. LINKACC is specified if the target ("to") location is a minidisk, accessed using the LINK and ACCESS commands. ACCDIR is specified if the target location is an SFS directory which is just accessed with the ACCESS command. MDISK is specified if the target location must be accessed using the DEFINE MDISK command. For instructions on how to access a disk using DEFINE MDISK, see the DDRMDISK keyword.

**targetfname**

File name given to the file when it is copied.

**targetftype**

File type given to the file when it is copied.

**targetuserid**

User ID that owns the disk where the file will be copied. If the file is in an SFS directory the value of this field is "DIR".

**targetdisk**

Minidisk or SFS directory where the file will be copied.

**Example:**

```
CPYFIL REPL ACCDIR LDAPDS SAMPENVR * DIR VMPSFS:7VMTCP30.TCPIP.OBJECT
LINKACC LDAPDS SAMPENVR * TCPMAINT 198
```

**Manual Instructions:**

1. Link and access the source disk.

If the *sourcelinktype* is LINKACC, link and access the minidisk.

If the *sourcelinktype* is ACCDIR, access the SFS directory. In this example:

```
ACCESS VMPSFS:7VMTCP30.TCPIP.OBJECT G
```

2. Link and access the target ("to") disk in write mode.

If the *targetlinktype* is LINKACC, link and access the minidisk. In this example:

```
LINK TCPMAINT 198 1198 WR
ACCESS 1198 H
```

If the *targetlinktype* is ACCDIR, access the SFS directory.

3. Copy the file from the source disk to the target disk, using REPLACE if it was specified on the CPYFIL entry. In this example:

```
COPYFILE IBM DTCPARMS G IBM DTC++001 H (OLDDATE REPLACE
```

**Note:** The OLDDATE parameter should always be specified on the COPYFILE command.

4. Release and detach, if necessary, the SFS directories and minidisks accessed above. In this example:

```
RELEASE G
RELEASE H (DETACH
```

---

**2**

The DDRMDISK MDISK keywords copy a minidisk from a work system volume to a disk on the current system. The disk on the work system volume is accessed using the DEFINE MDISK command, then the contents of the disk are copied using the DDR command to the disk on the current system.

**Syntax:**

```
DDRMDISK MDISK IDENTITY sourceusername sourcedisk LINK IDENTITY targetusername targetdisk
```



**Example:** DDR the MAINT 190 disk on the work system to the MAINT 190 disk on the system being upgraded:

```
DDRMDISK MDISK IDENTITY MAINT 190 LINK IDENTITY MAINT 190
```

### Manual Instructions:

1. Issue the DEFINE MDISK command to define a minidisk overlay to the source disk on the work system:
  - a. Locate the minidisk statement in the work directory file (INSTUPGR \$USERDIR) located on the MIGMAINT 2CFO disk for the *sourceusername* and *sourcedisk* in the \$STAGE2\$ \$TABLE\$ entry. If the *sourcetype* is SUBCONFIG, locate the minidisk statement contained in the SUBCONFIG that corresponds to the system being upgraded.
  - b. Note the start location, size and volume label. In this example, if the MDISK statement for the MAINT 190 disk looks like this:

```
MDISK 190 3390 280 214 IBMRES
```

then the start location for the 190 disk is 280, the size is 214, and the volume label is IBMRES.

- c. Attach the address associated with the noted volume label (refer to [Table 14 on page 127](#) or [Table 15 on page 127](#) for addresses and volume labels) to your current system. In this example, if the address for the volume with label IBMRES is C10:

```
ATTACH C10 TO SYSTEM
```

- d. Issue the DEFINE MDISK command for the *sourcedisk*:

```
DEFINE MDISK vaddr start size vollabel
```

In this example:

```
DEFINE MDISK 1190 280 214 IBMRES
```

2. Link, in write mode, to the *targetdisk* owned by *targetusername* on your current system. In this example:

```
LINK MAINT 190 2190 WR
```

3. Use the DDR command to copy from the *sourcedisk* (*vaddr*) on the work system volume to the *targetdisk* that is being updated on the system being upgraded. In this example:

```
DDR
SYSPRINT CONS
INPUT 1190 DASD
OUTPUT 2190 DASD
COPY ALL
<answer> any prompts, then press enter to end DDR>
ENTER
```

4. Detach the disks you linked to and defined. In this example:

```
DETACH 1190
DETACH 2190
```

5. Detach the work system volume from the current system. In this example:

```
DETACH C10 FROM SYSTEM
```

**3**

The DIRECT DELENTY keywords update the user directory to delete a USER, IDENTITY, or SUBCONFIG definition. For SUBCONFIG, only the SUBCONFIG definition associated with the system or member that is being updated is deleted.

**Syntax:**

```
DIRECT DELENTY USER|IDENTIY|SUBCONFIG identusername membername
```

**Example:** Delete the SUBCONFIG definition for IDENTITY DHCPD that is associated with the system being upgraded, UPGRMEM1.

```
DIRECT DELENTY SUBCONFIG DHCPD UPGRMEM1
```

**Manual Instructions:** Following your site's normal procedures to update the user directory, delete the USER, IDENTITY, or SUBCONFIG definition specified in the \$STAGE2\$ \$TABLE\$ entry, as follows:

**USER**

Delete the entire USER definition.

**IDENTITY**

Delete the IDENTITY definition. All SUBCONFIG definitions associated with this IDENTITY definition should have already been deleted.

**SUBCONFIG**

Delete the SUBCONFIG definition that is associated with this member. Also, delete the BUILD ON statement in the IDENTITY definition that refers to this SUBCONFIG.

1. Determine the name of the SUBCONFIG to be deleted by examining the BUILD ON statement for system you are upgrading in the IDENTITY specified on the \$STAGE2\$ \$TABLE\$ entry. In this example:

```
BUILD ON UPGRMEM1 USING SUBCONFIG DHCPD-1
```

The name of the SUBCONFIG is DHCPD-1.

2. Follow your site's normal process to delete the named SUBCONFIG.
3. If you edit your user directory directly, put the new version of the directory online:

```
DIRECTXA USER DIRECT
```

If you use a directory manager product, make sure the directory manager puts the updated information online immediately.

**4**

The DIRECT DELRELLINK keywords update the user directory to delete a link statement from an existing directory entry (USER, IDENTITY or SUBCONFIG).

**Syntax:**

```
DIRECT DELRELLINK USER|IDENTITY|SUBCONFIG username|identname linkstatement
```

**Example:** Delete the link statement, in this example, LINK MAINT730 201 201 RR, from the directory entry for the SUBCONFIG for IDENTITY MAINT that is associated with the system being upgraded:

```
DIRECT DELRELINK SUBCONFIG MAINT LINK MAINT730 201 201 RR
```

**Manual Instructions:** Using your site's procedures to update the user directory, delete the link statement shown from the SUBCONFIG for MAINT that is built on the system being upgraded.

1. Determine the name of the SUBCONFIG for this system by examining the BUILD ON statement for the system you are upgrading in the IDENTITY entry in the USER DIRECT file for MAINT:

```
BUILD ON * | systemname USING SUBCONFIG MAINT-1
```

In this example, MAINT-1 is the name of the SUBCONFIG.

2. Delete the LINK statement that was included on the entry in the \$STAGE1\$ \$TABLE\$ to the SUBCONFIG entry for MAINT-1:

```
LINK MAINT730 201 201 RR
```

3. If you edit your user directory directly, put the new version of the directory online:

```
DIRECTXA USER DIRECT
```

If you use a directory manager product, ensure that the directory manager puts the updated information online immediately.

---

**5**

The DIRECT MOVEMDISK keywords update the user directory to move an existing minidisk from its current location to a new location. MOVEDISK COPY indicates that the data on the current disk should be copied to the disk at its new location. MOVEDISK NOCOPY indicates that the disk should be defined at the new location specified on the \$STAGE2\$ \$TABLE\$ entry, but no data from the current disk should be copied to the new location.

**Syntax:**

```
DIRECT MOVEMDISK idtype userid membername COPY|NOCOPY mdiskstmtdata
```

**Example:** Move the 191 minidisk owned by user 7VMHCD30 to a new location specified as cylinder 1958 for a length of 50 on the volume labeled UGCOM2. The data from the existing minidisk should be copied to the new minidisk location:

```
DIRECT MOVEMDISK USER 7VMHCD30 UPGRMEM1 COPY 191 3390 1958 050 UGCOM2
```

**Manual Instructions:** Following your site's normal procedures to update the user directory, move the minidisk listed from its current location to the location defined in the DIRECT MOVEMDISK entry. If COPY is specified on the MOVEMDISK entry, transfer all data to the new location.

---

**6**

The FILEPOOL ADDADMIN keywords update a DMSPARMS file to add a new administrator to an existing file pool.

**Syntax:**

## \$STAGE2\$ \$TABLE\$ entry definitions

```
FILEPOOL ADDADMIN fpoolname fpooluid users2add
```

**Example:** Add the user IDs listed in the FILEPOOL ADDADMIN entry in the \$STAGE2\$v \$TABLE\$, in this example, MAINT730, to the DMSPARMS file for the file pool listed, in this example, VMSYSU running on server user ID VMSERVU. The DMSPARMS file is named *filepoolid* DMSPARMS and is found on the 191 disk for the *filepoolid*. In this example, the file VMSERVU DMSPARMS will be found on the 191 disk for user ID VMSERVU:

```
FILEPOOL ADDADMIN VMSYSU VMSERVU MAINT730
```

### Manual Instructions:

1. Force the file pool user ID off the system:

```
FORCE VMSERVU
```

2. Link, in write mode, the file pool's server user ID's 191 minidisk. In this example, VMSERVU's 191 minidisk:

```
LINK VMSERVU 191 1191 WR
```

3. Access the file pool's server user ID 191 minidisk you linked above:

```
ACCESS 1191 Z
```

4. Xedit the *fpooluid* DMSPARMS file. In this example VMSERVU DMSPARMS:

```
XEDIT VMSERVU DMSPARMS Z
```

5. Add the users indicated to the ADMIN statement and file the changes. In this example, MAINT730.
6. Release and detach the file pool's server user ID 191 minidisk.

```
RELEASE Z (DETACH
```

7. Restart the file pool by autologging the *filepoolid*, in this example, VMSERVU:

```
XAUTOLOG VMSERVU
```

---

## 7

The MIGDISK COPY keywords use the VMFCOPY command to copy files for the specified product ID from the source location to the target location on the system being upgraded.

### Syntax:

```
MIGDISK COPY {fname ftype|* *} targetlinktype targetprodid targettype targetuid targetaddr  
sourcelinktype sourceprodid sourcetype sourceuid sourceaddr EXCL|  
NOEXCL
```

### *fname ftype|\* \**

When *fname ftype* is \* \*, use VMFCOPY to copy all files on *sourceuid sourceaddr* that are associated with the *sourceprodid* to *targetuid targetaddr*, associating them with *sourceprodid*.

When *fname ftype* is a filename and filetype, the named file will be found on the MIGMAINT 2CF0 disk. Use VMFCOPY to copy only the files listed in *fname ftype* from *sourceuid sourceaddr* that are associated with the *sourceprodid* to *targetuid targetaddr*, associating them with *sourceprodid*.

**targetlinktype**

Method used to access the location where the files will be copied. LINK is specified if the target location is a minidisk, accessed using the LINK and ACCESS commands. ACCDIR is specified if the target location is an SFS directory which is just accessed with the ACCESS command. MDISK is specified if the target location is located on a work system volume that must be accessed using the DEFINE MDISK command.

**targetprodid**

For the MIGDISK COPY keywords, this field should be ignored. Only the *sourceprodid* is used.

**targettype**

USER, IDENTITY, or SUBCONFIG.

**targetuid**

User ID that owns the target location. If the files will be copied to an SFS directory the value of this field is "DIR".

**targetaddr**

Minidisk or SFS directory where the files will be copied.

**sourcelinktype**

Method used to access the source location of the files to be copied. LINK is specified if the source location is a minidisk, accessed using the LINK and ACCESS commands. ACCDIR is specified if the source location is an SFS directory which is just accessed with the ACCESS command. MDISK is specified if the source location is located on a work system volume that must be accessed using the DEFINE MDISK command.

**sourceprodid**

The VMSES/E prodid that is associated with the files to be copied.

**sourcetype**

USER, IDENTITY, or SUBCONFIG.

**sourceuid**

User ID that owns the source location. If the files to be copied are in an SFS directory the value of this field is "DIR".

**sourceaddr**

Minidisk or SFS directory that contains the files to be copied.

**EXCL|NOEXCL**

This field should be ignored.

**Example 1**, when *fname ftype* is \* \*:

```
MIGDISK COPY * * LINK 7VMPTK10%PERFTK IDENTITY PERFSVM 201 ACCDIR
7VMPTK30%PERFTK USER DIR
VMPSFS:7VMPTK30.PERFTK.TBUILD NOEXCL
```

**Example 2**, when *fname ftype* is a file, 7VMCMS30 C493CMS, on the MIGMAINT 2CF0 disk:

```
MIGDISK COPY 7VMCMS30 C493CMS LINK 7VMCMS10%CMS IDENTITY MAINT 193 LINK
7VMCMS30%CMS USER
MAINT730 493 EXCL
```

**Manual Instructions:**

1. Access the source location.

If the *sourcelinktype* is LINK, link and access the *sourceuid sourceaddr*.

If the *sourcelinktype* is ACCDIR, access the SFS directory specified. In Example 2:

## \$STAGE2\$ \$TABLE\$ entry definitions

```
ACCESS VMPSFS:7VMPTK30.PERFTK.TBUILD G
```

If the *sourcelinktype* is MDISK, the disk must be defined issuing the DEFINE MDISK command, as follows:

- a. Locate the minidisk statement in the work directory file (INSTUPGR \$USERDIR) located on the MIGMAINT 2CF0 disk for the *sourceuid* and *sourceaddr* in the \$STAGE2\$ \$TABLE\$ entry. If the *sourcetype* is SUBCONFIG, locate the minidisk statement contained in the SUBCONFIG that corresponds to the system being upgraded.
- b. Note the start location, size, and volume label. For example, if the MDISK statement for the MAINT 491 disk looks like this:

```
MDISK 491 3390 3298 030 IBMCM1 MR
```

the start location for the 491 disk is 3298, the size is 30, and the volume label is IBMCM1.

- c. Attach the address associated with the noted volume label (refer to [Table 14 on page 127](#) or [Table 15 on page 127](#) for addresses and volume labels) to your current system. In this example, if the address for the volume with label IBMCM1 is C11:

```
ATTACH C11 TO SYSTEM
```

- d. Issue the DEFINE MDISK command for the *sourceaddr*:

```
DEFINE MDISK linkaddr start size vollabel
```

In this example:

```
DEFINE MDISK 1491 3298 30 IBMCM1
```

- e. Access the MDISK defined for *sourceaddr*:

```
ACCESS linkaddr fm
```

In this example:

```
ACCESS 1491 H
```

2. Access the target location in write mode.

If the *targetlinktype* is LINK, link and access *targetuid targetaddr* with *linkmode* of WR. In Example 1:

```
LINK PERFSVM 201 1201 WR  
ACCESS 1201 H
```

If the *targetlinktype* is ACCDIR, access the SFS directory specified, specifying the option FORCERW on the ACCESS command. For example:

```
ACCESS dirname fm (FORCERW
```

If the *targetlinktype* is MDISK, the disk must be defined issuing the DEFINE MDISK command, as follows:

- a. Locate the minidisk statement in the work directory file (INSTUPGR \$USERDIR) located on the MIGMAINT 2CF0 disk for the *targetuid* and *targetaddr* in the \$STAGE2\$ \$TABLE\$ entry. If the *sourcetype* is SUBCONFIG, locate the minidisk statement contained in the SUBCONFIG that corresponds to the system being upgraded.
- b. Note the start location, size, and volume label. For example, if the MDISK statement for the MAINT 190 disk looks like this:

```
MDISK 190 3390 280 214 IBMRES
```

the start location for the 190 disk is 280, the size is 214, and the volume label is IBMRES.

- c. Attach the address associated with the noted volume label (refer to [Table 14 on page 127](#) or [Table 15 on page 127](#) for addresses and volume labels) to your current system. In this example, if the address for the volume with label IBMRES is C10:

```
ATTACH C10 TO SYSTEM
```

- d. Issue the DEFINE MDISK command:

```
DEFINE MDISK linkaddr start size vollabel
```

In this example:

```
DEFINE MDISK 2190 280 214 IBMRES
```

- e. Access the MDISK defined for *targetaddr*:

```
ACCESS linkaddr fm
```

In this example:

```
ACCESS 2190 H
```

3. Issue the VMFCOPY command to copy the files from the *sourceaddr* to the *targetaddr*.

**When *fname ftype* is \* \***, use the VMFCOPY command to copy all the files in the VMSES PARTCAT for *targetprodid* on *sourceaddr* to *targetaddr*:

```
VMFCOPY * * sourcefm = = targetfm ( PRODID sourceprodid  
SPRODID sourceprodid OLDDATE REPLACE
```

In Example 1:

```
VMFCOPY * * G = = H ( PRODID 7VMPTK30%PERFTK SPRODID 7VMPTK30%PERFTK OLDDATE  
REPLACE
```

**Note:** If the target disk is MAINT's 402 disk, add the UPCASE operand to the end of the VMFCOPY command.

**When *fname ftype* is a file on the MIGMAINT 2CF0 disk**, use the VMFCOPY command to copy only the files listed in the file *fname ftype*. Issue the following command for each entry in the named file:

```
VMFCOPY entryfilename entryfiletype sourcefm = = targetfm  
( PRODID sourceprodid SPRODID sourceprodid OLDDATE REPLACE
```

In Example 2, for each *filename filetype* entry in file 7VMCMS30 C493CMS, enter the following command:

```
VMFCOPY filename filetype G = = H ( PRODID 7VMCMS30%CMS SPRODID  
7VMCMS30%CMS (OLDDATE REPLACE
```

**Note:** If the target disk is MAINT's 402 disk, add the UPCASE operand to the end of the VMFCOPY command.

### 8

The MIGDISK ERASE keywords use the VMFERASE command to erase files for the specified product ID from the target location.

#### Syntax:

```
MIGDISK ERASE {fname filetype|* *} targetlinktype targettype targetuid  
targetaddr targetprodid EXCL|NOEXCL
```

#### *fname filetype*|\* \*

When *fname filetype* is \* \*, use VMFERASE to erase all files from the *targetuid targetaddr* that are associated with *targetprodid*.

When *fname filetype* is a filename and filetype, the named file will be found on the MIGMAINT 2CF0 disk. Use VMFERASE to erase only the files listed in *fname filetype* from the *targetuid targetaddr* that are associated with *targetprodid*.

#### *targetlinktype*

Method used to access the location from which the files will be erased. LINK is specified if the target location is a minidisk, accessed using the LINK and ACCESS commands. ACCDIR is specified if the target location is an SFS directory which is just accessed with the ACCESS command. MDISK is specified if the target location is located on a work system volume that must be accessed using the DEFINE MDISK command.

#### *targettype*

USER, IDENTITY, or SUBCONFIG.

#### *targetuid*

User ID that owns the target location. If the files will be erased from an SFS directory the value of this field is "DIR".

#### *targetaddr*

Minidisk or SFS directory from which the files will be erased.

#### *targetprodid*

The VMSES/E prodid that is associated with the files to be erased.

#### EXCL|NOEXCL

This field should be ignored.

**Example 1**, when *fname filetype* is \* \*:

```
MIGDISK ERASE * * LINK IDENTITY PERFSVM 201 7VMPTK10%PERFTK NOEXCL
```

**Example 2**, when *fname filetype* is a file on the MIGMAINT 2CF0 disk (7VMCMS10 E490CMS in this example):



```
MIGDISK ERASE 7VMCMS10 E490CMS MDISK IDENTITY MAINT 190 7VMCMS10%CMS EXCL
```

**Manual Instructions:**

1. Access the target location in write mode.

If the *targetlinktype* is LINK, link and access *targetuid targetaddr* with *linkmode* of WR. In Example 1:

```
LINK PERFSVM 201 1201 WR
ACCESS 1201 H
```

If the *targetlinktype* is ACCDIR, access the SFS directory specified, specifying the option FORCERW on the ACCESS command. For example:

```
ACCESS dirname fm (FORCERW
```

If the *targetlinktype* is MDISK, the disk must be defined issuing the DEFINE MDISK command, as follows:

- a. Locate the minidisk statement in the work directory file (INSTUPGR \$USERDIR) located on the MIGMAINT 2CF0 disk for the *targetuid* and *targetaddr* in the \$STAGE2\$ \$TABLE\$ entry. If the *sourcetype* is SUBCONFIG, locate the minidisk statement contained in the SUBCONFIG that corresponds to the system being upgraded.
- b. Note the start location, size, and volume label. For example, if the MDISK statement for the MAINT 190 disk looks like this:

```
MDISK 190 3390 280 214 IBMRES
```

the start location for the 190 disk is 280, the size is 214, and the volume label is IBMRES.

- c. Attach the address associated with the noted volume label (refer to [Table 14 on page 127](#) or [Table 15 on page 127](#) for addresses and volume labels) to your current system. In this example, if the address for the volume with label IBMRES is C10:

```
ATTACH C10 TO SYSTEM
```

- d. Issue the DEFINE MDISK command:

```
DEFINE MDISK linkaddr start size vollabel
```

In this example:

```
DEFINE MDISK 2190 280 214 IBMRES
```

- e. Access the MDISK defined for *targetaddr*:

```
ACCESS linkaddr fm
```

In this example:

```
ACCESS 2190 H
```

2. Issue the VMFERASE command to erase the files from the *targetaddr*.

When *fname ftype* is \* \*, use VMFERASE to erase all the files in the VMSES PARTCAT for *targetprodid* on *targetaddr*:

```
VMFERASE PROD targetprodid FROM targetfm
```

In Example 1:

```
VMFERASE PROD 7VMCMS10%PERFTK FROM H
```

When *fname ftype* is a file on the MIGMAINT 2CF0 disk, use the, use VMFERASE to erase only the files listed in the file *fname ftype*. Issue the following command for each entry in the named file:

```
VMFERASE FILE filename filetype targetfm
```

In Example 2, for each *filename filetype* entry in file 7VMCMS10 E490CMS, enter the following command:

```
VMFERASE FILE filename filetype H
```

---

### 9

The PARTNOTIFY keyword writes a message to the *systemname* \$WRNFILE file on the MIGMAINT 2CF0 disk that needs to be addressed after the upgrade is complete.

#### Syntax:

```
PARTNOTIFY msgnumber formatnumber substitutiondata
```

#### Example:

```
PARTNOTIFY 8555 1 MPROUTE SCF++002 , 7VMTCP30 491 , MPROUTE SCONFIG
```

**Manual Instructions:** Make a note of the messages specified by the PARTNOTIFY keyword and refer to *z/VM: CP Messages and Codes* for explanations of the messages. The actions indicated by these messages should be addressed after the upgrade is complete.

---

### 10

The SESCMD keyword issues the command specified after the *keyword*.

#### Syntax:

```
SESCMD keyword sescommand
```

#### Example:

```
SESCMD FINSBLD VMFINS BUILD PPF SERVP2P REXX (SERVICED LINK
```

**Manual Instructions:** Ignore the value specified in *keyword* and issue the command specified in *sescommand*. In this example:

```
VMFINS BUILD PPF SERVP2P REXX (SERVICED LINK
```

**11**

The SESMOVE COPY keywords use the VMFCOPY command to copy a file from the MIGMAINT 2CF0 disk to the PMAINT 550 OR 551 disk.

**Syntax:**

```
SESMOVE COPY prodid targetfname targetftype LINK USER PMAINT 550|551
             sourcefnamesourceftype LINK IDENTITY MIGMAINT 2CF0
```

**Example:** Use the VMFCOPY command to copy the file CPFMTXA EXEC from the MIGMAINT 2CF0 disk to the file CPFMTXA EXEC on the PMAINT 551 disk, associating the file with *prodid 7VMCPR30%CP*:

```
SESMOVE COPY 7VMCPR30%CP CPFMTXA EXEC LINK USER PMAINT 551
             CPFMTXA EXEC LINK IDENTITY MIGMAINT 2CF0
```

**Manual Instructions:**

1. Link and access the PMAINT 550 or 551 disk in write mode. In this example:

```
LINK PMAINT 551 551 WR
ACCESS 551 H
```

2. Link and access the MIGMAINT 2CF0 disk. In this example:

```
LINK MIGMAINT 2CF0 2CF0 MR
ACCESS 2CF0 G
```

3. Issue the VMFCOPY command:

```
VMFCOPY sourcefname sourceftype fm_2CF0 targetfname targetftype fm_550|fm_551
        ( PRODID sourceprodid OLDDATE REPLACE
```

In this example:

```
VMFCOPY CPFMTXA EXEC G CPFMTXA EXEC H ( PRODID 7VMCPR30%CP OLDDATE REPLACE
```

**12**

The SESMOVE ERASE keywords use the VMFERASE command to erase a file from the PMAINT 550 or 551 disk.

**Syntax:**

```
SESMOVE ERASE fname ftype LINK USER PMAINT 550|551
```

**Example:** Use the VMFERASE command to erase the file CPFMTXA EXEC from the PMAINT 551 disk:

```
SESMOVE ERASE CPFMTXA EXEC LINK USER PMAINT 551
```

**Manual Instructions:**

1. Link and access PMAINT's 550 or 551 disk in write mode. In this example:

```
LINK PMAINT 551 551 WR
ACCESS 551 G
```

2. Issue the VMFERASE command:

```
VMFERASE FILE fname ftype fm_550|fm_551
```

In this example:

```
VMFERASE FILE CPFMTXA EXEC G
```

---

### 13

The UPDDISK COPY keywords copy either a single file or an entire disk. UPDDISK COPY uses COPYFILE with the OLDDATE REPLACE options.

#### Syntax:

```
UPDDISK COPY sourcelinktype sourceidtype sourceuserid sourceaddrdir sourcefname
sourceftype targetlinktype targetidtype targetuserid targetaddrdir targetfname
targetftype
```

#### **sourcelinktype**

Method used to access the disk where the file resides: LINKACC, ACCDIR, or MDISK. LINKACC is specified if the source location is a minidisk, accessed using the LINK and ACCESS commands. ACCDIR is specified if the source location is an SFS directory which is just accessed with the ACCESS command. MDISK is specified if the source location is located on a work system volume that must be accessed using the DEFINE MDISK command. For instructions on how to access a disk using DEFINE MDISK, see the DDRMDISK keyword.

#### **sourceidtype**

Type of userid: USER or IDENTITY.

#### **sourceuserid**

User ID that owns the disk where the file resides. If the file is in an SFS directory, the value of this field is "DIR".

#### **sourceaddrdir**

Minidisk or SFS directory where the file resides.

#### **sourcefname**

File name of the file to be copied or NOFN if the entire disk is to be copied.

#### **sourceftype**

File type of the file to be copied or NOFT if the entire disk is to be copied.

#### **targetlinktype**

Method used to access the disk where the file will be copied: LINKACC, ACCDIR, or MDISK. LINKACC is specified if the target ("to") location is a minidisk, accessed using the LINK and ACCESS commands. ACCDIR is specified if the target location is an SFS directory which is just accessed with the ACCESS command. MDISK is specified if the target location must be accessed using the DEFINE MDISK command. For instructions on how to access a disk using DEFINE MDISK, see the DDRMDISK keyword.

#### **targetidtype**

Type of userid: USER or IDENTITY.

**targetuserid**

User ID that owns the disk where the file will be copied. If the file is in an SFS directory, the value of this field is "DIR".

**targetaddrdir**

Minidisk or SFS directory where the file will be copied.

**targetfname**

File name given to the file when it is copied or NOFN if the entire disk is to be copied.

**targetftype**

File type given to the file when it is copied or NOFT if the entire disk is to be copied.

**Example:**

```
UPDDISK COPY LINKACC USER PMAINT 550 CPFMTXA EXEC LINKACC USER PMAINT 551
CPFMTXA EXEC
```

**Manual Instructions:**

1. Link and access the source disk. In this example:

```
LINK PMAINT 550 1550 RR
ACCESS 1550 H
```

2. Link and access the target ("to") disk in write mode. In this example:

```
LINK PMAINT 551 1551 WR
ACCESS 1551 H
```

3. Copy the file from the source disk to the target disk, using OLDDATE REPLACE. In this example:

```
COPYFILE CPFMTXA EXEC G CPFMTXA EXEC A H (OLDDATE REPLACE
```

4. Release and detach, if necessary, the SFS directories and minidisks accessed above. In this example:

```
RELEASE G
RELEASE H (DETACH
```

**14**

The UPDDISK ERASE keywords erase either a single file or an entire disk.

**Syntax:**

```
UPDDISK ERASE sourcelinktype sourceidtype sourceuserid sourceaddrdir
sourcefname sourceftype
```

**sourcelinktype**

Method used to access the disk where the file resides: LINKACC, ACCDIR, or MDISK. LINKACC is specified if the source location is a minidisk, accessed using the LINK and ACCESS commands. ACCDIR is specified if the source location is an SFS directory which is just accessed with the ACCESS command. MDISK is specified if the source location is located on a work system volume that must be accessed using the DEFINE MDISK command. For instructions on how to access a disk using DEFINE MDISK, see the DDRMDISK keyword.

**sourceidtype**

Type of userid: USER or IDENTITY.

## \$STAGE2\$ \$TABLE\$ entry definitions

### ***sourceuserid***

User ID that owns the disk where the file resides. If the file is in an SFS directory, the value of this field is "DIR".

### ***sourceaddrdir***

Minidisk or SFS directory where the file resides.

### ***sourcefname***

File name of the file to be copied or NOFN if the entire disk is to be copied.

### ***sourceftype***

File type of the file to be copied or NOFT if the entire disk is to be copied.

### **Example:**

```
UPDDISK ERASE ACCDIR * DIR VMPSFS:7VMTCP30.TCPIP.OBJECT LDAPDS SAMPENVR
```

### **Manual Instructions:**

1. Link, if necessary, and access the disk. In this example:

```
ACCESS VMPSFS:7VMTCP30.TCPIP.OBJECT G
```

2. Erase the file from the source disk. In this example:

```
ERASE LDAPDS SAMPENVR G
```

3. Release and detach, if necessary, the SFS directory or minidisk accessed above. In this example::

```
RELEASE G
```

---

## Appendix S. Removing changes made by STAGE1 (optional)

This appendix provides instructions on how to undo any changes that have been made to your current system during STAGE1 of the upgrade installation procedure.

## Step 1. Back out changes made in Chapter 17, "Finish the STAGE1 upgrade"

---

If you did not complete any steps in Chapter 17, "Finish the STAGE1 upgrade," on page 165, go on to "Step 2. Choose your backout option" on page 341. If you did complete steps in Chapter 17, "Finish the STAGE1 upgrade," on page 165, you must back out some of those changes by hand.

1. During the backout process, the MAINT730 user ID will be deleted. If you had local modifications to rework, you might want to save any files you reworked on a different user ID, for future reuse.
2. If you are upgrading a non-SSI system, a one-member SSI cluster, or the first member of a multimember SSI cluster, the 7VMDIR30 user ID will be deleted during the backout process. If DirMaint is enabled as your directory manager and you made changes to configuration files, authorization files, or both, those changes will be lost if they were saved on a minidisk that is owned by 7VMDIR30.
3. If you are using an external security manager (ESM), you should review the documentation for your ESM to determine whether any authorizations you added need to be removed prior to backing out, because the user IDs that were added will be deleted during backout processing. If you are using RACF as your ESM, you do not need to remove any authorizations.
4. Before you begin to back out the remainder of the changes made during STAGE1, you should make sure that the MIGMAINT user ID is not linked to any MAINT730 minidisks. Enter the QUERY MDISK command for the 5E5 and 51D minidisks (QUERY MDISK 5E5 and QUERY MDISK 51D) and check the owning user ID. If the OwnerID is MAINT730, detach the minidisks (DETACH 51D and DETACH 5E5). Then link and access your current system 51D and 5E5 disks:

```
LINK MAINT710 51D 51D MR or LINK MAINT720 51D 51D MR
ACCESS 51D D
LINK MAINT710 5E5 5E5 RR or LINK MAINT720 5E5 5E5 MR
ACCESS 5E5 B
```

5. If you are using DirMaint as your directory manager and you are backing out changes to a non-SSI system, a one-member SSI cluster, or the first member of a multimember SSI cluster, the automated BACKOUT process might encounter an error using DirMaint after the 7VMDIR30 user ID is deleted. If this happens, recycle your DirMaint server user IDs (DIRMAINT, DIRMSATx, and DATAMOVx) and restart the backout by re-entering this command:

```
INSTUPGR STAGE1 (BACKOUT
```

6. If you are backing out a member of a multimember SSI cluster, you should make sure the updated directory is online for all members of your SSI cluster. If you are using a directory manager, this should have been done automatically by the directory manager. If you are not using a directory manager, follow your normal procedures (directxa) to put the updated directory online everywhere.



## Step 2. Choose your backout option

---

If you used the INSTUPGR command with the COMMIT option to make changes to your system, a file named \$BACKOUT \$TABLE\$ was created. This file contains entries that will undo the changes made by the INSTUPGR command. If you made some or all of the STAGE1 changes manually, you should have documented those changes and you must remove those changes yourself.

If you made all or some changes to your system using the INSTUPGR command, go to [“Step 3. Undo STAGE1 changes using INSTUPGR” on page 342.](#)

If you made all the STAGE1 changes to your system yourself, go to [“Step 4. Undo STAGE1 changes manually” on page 343.](#)

## Step 3. Undo STAGE1 changes using INSTUPGR

---

1. Log on to the MIGMAINT user ID on the system being upgraded. Make sure the user ID meets the MIGMAINT user ID requirements in [substep “4” on page 108](#).
2. Access the 24CC minidisk as file mode C.

```
access 24cc c
Ready; T=n.nn/n.nn hh:mm:ss
```

3. Run INSTUPGR to undo the changes made by INSTUPGR STAGE1 (COMMIT).

```
instupgr stage1 (backout
* Now processing $BACKOUT $TABLE$ E. File is processed from the
* last record to the first to assure proper backout.
Now processing line nnn of nnn
Now processing line nnn of nnn
:
IUGUPG8392I INSTUPGR ended successfully
Ready; T=n.nn/n.nn hh:mm:ssReady; T=n.nn/n.nn hh:mm:ss
```

4. If any error conditions occur, review the error messages in file INSTUPGR \$CONSLOG on the MIGMAINT 2CF0 minidisk (accessed as filemode E) and correct the condition that is causing the error. Then return to [substep “3” on page 342](#).
5. If you also made changes to your system manually, refer to the backout document that you created to manually undo your changes. Remember that the order in which you made the \$STAGE1\$ updates is the reverse order in which the updates should be removed.
6. If you are running DirMaint, log off all DirMaint servers (DIRMAINT, DIRMSAT\*, and DATAMOV\*). If you are upgrading a member of a multimember SSI cluster, log the servers off on all members. After all servers have been logged off, restart all of the servers on all members.
7. Log off the MIGMAINT user ID.

If you undid the STAGE1 changes to your system because you need to correct errors, correct the errors now and then return to [Chapter 15, “Generate the STAGE1 changes file,” on page 159](#). If you are not continuing with the upgrade installation at this time, IBM recommends that you log back on to MIGMAINT and erase all of the files on the MIGMAINT 24CC and the 2CF0 disks. This will prevent accidental use of out-of-date information should you decide to use the upgrade installation procedure later. You may return the volumes you used to install the work system to your DASD pool. If you decide later to use the upgrade installation procedure for this system, you should start over again, at the beginning of [Part 4, “Upgrade installation for non-SSI, one-member SSI, or the first member of a multi-member cluster,” on page 99](#).

## Step 4. Undo STAGE1 changes manually

---

1. Log on to the MIGMAINT user ID on the system being upgraded. Make sure the user ID meets the MIGMAINT user ID requirements in substep “4” on page 108.
2. Refer to the backout documentation you created while making the STAGE1 updates manually to undo your changes.
3. Access the 24CC minidisk as file mode C.

```
access 24cc c
Ready; T=n.nn/n.nn hh:mm:ss
```

4. After all the changes are complete, run the INSTUPGR command to update the appropriate status tables so that you can restart your upgrade installation when you are ready.

```
instupgr stage1 (backout done
IUGUPG8392I INSTUPGR ended successfully
Ready; T=n.nn/n.nn hh:mm:ss
```

5. If you are running DirMaint, log off all DirMaint servers (DIRMAINT, DIRMSAT\*, and DATAMOV\*). If you are upgrading a member of a multimember SSI cluster, log the servers off on all members. After all servers have been logged off, restart all of the servers on all members.
6. Log off the MIGMAINT user ID.

If you undid the STAGE1 changes to your system because you need to correct errors, correct the errors now and then return to [Chapter 15, “Generate the STAGE1 changes file,” on page 159](#). If you are not continuing with the upgrade installation at this time, IBM recommends that you log back on to MIGMAINT and erase all of the files on the MIGMAINT 24CC and the 2CF0 disks. This will prevent accidental use of out-of-date information should you decide to use the upgrade installation procedure later. You may return the volumes you used to install the work system to your DASD pool. If you decide later to use the upgrade installation procedure for this system, you should start over again, at the beginning of [Part 4, “Upgrade installation for non-SSI, one-member SSI, or the first member of a multi-member cluster,” on page 99](#).

**Undo STAGE1 changes manually**

---

## Appendix T. Upgrade installation directory manager exit interface

This topic defines a program interface that a directory manager program can use to code an upgrade exit program. This exit program is provided by a directory manager product to allow upgrade installation processing to use the directory manager functions. Upgrade installation processing calls the exit with the defined syntax. The exit then calls the directory manager commands and returns the appropriate return code to the calling program.

An exit that is coded for a release of z/VM will need to be made available to run on any release of z/VM that can be upgraded. So, an exit coded for z/VM 7.3 will need to be made available on z/VM 7.1 or 7.2. The exit will need to incorporate release and version information (as discussed below) to allow verification that it is compatible with the level of z/VM to which an upgrade is being performed.

If updates are necessary for the directory manager to operate with a newer level of z/VM, a customer will first need to upgrade the directory manager to the required level (by applying any necessary service updates, or installation of a new level) before the customer can upgrade the system.

The exit needs to be named UPGDMIXT EXEC and must be installed on the MAINT 19E disk.

---

### Requirements

1. File modes C and E are reserved for z/VM installation use.
2. The exit must contain a version indicator in the format *vrm.nn*, where: *vrm* is a z/VM version, release, and modification level (730 , for example), and *nn* is an exit version number (01, for example). The installation upgrade utilities will make an initial call to the exit to confirm that the exit version indicator is suitable for use with the current system upgrade.
3. For a given release of z/VM, the exit must run in all prior releases of z/VM that can be upgraded to the given release using the upgrade installation process.
4. If a failure occurs while performing the function requested by the installation upgrade utilities, the exit will need to:
  - Roll back any changes that had been made during a given function request. For example, if the exit must issue multiple commands to complete a requested function and several of those commands are completed prior to a command failure, then the exit will need to roll back the completed commands before returning control to the installation upgrade utilities.
  - Return one of the defined failure codes to the calling installation upgrade utility.
5. The exit must generate a log file named UPGDMIXT \$LOGFILE E (the appropriate disk will have been accessed by the installation upgrade utilities prior to any exit calls). It should be appended with information appropriate for each invocation of the exit.

At a minimum, the \$LOGFILE should include the following:

- Name of the calling exec
  - A date/time stamp
  - The function request made by the calling exec
  - Actual command(s) issued to complete the request
  - Successful or failed status
  - If necessary, pointers to additional data or logs (such as server-base logs)
6. The exit will be able to use the A-disk for work space. It will need to clean up any files created on the A-disk before returning control to the calling installation upgrade utility.
  7. Whenever possible, the exit should suppress output to the user's console.

## Syntax of the call to the exit

---

The exit is called with a parameter list that contains four tokens and a data stem, as follows:

**token1**

The name of the program that is calling the exit.

**token2**

A keyword.

**token3**

The exit interface data stem variable name (*stem\_name*).

**token4**

An integer value that indicates the number of records loaded into the exit interface data stem.

The data stem is a REXX stem variable. The following records make up the data stem:

**stem\_name.0**

The number of records that are loaded into the data stem. This value can be compared to **token4** to confirm that the correct/expected number of records have been acquired.

**stem\_name.1**

A keyword.

**stem\_name.2**

The object type.

**stem\_name.3**

The object modifier.

**stem\_name.4**

An action.

**stem\_name.5-*n***

Data records.

A sample call to the exit follows:

```
"PIPE COMMAND EXEC UPGDMIXT" pgm_name keyword stem_name count
```

## Contents of the exit interface data stem

---

The exit interface data stem will contain at least one record. Records 2-*n* are optional, depending on the function to be performed by the exit.

**Record 1: Keyword (required)**

Valid keywords:

- SETUP
- VERIFY
- CLEANUP
- CRYPTO
- ENTRY
- LINK
- MDISK
- VSTOR
- PRIV
- OPTION
- IUCV
- COMMAND

- IPL
- LOADDEV
- NAMESAVE

**Record 2: Object type (optional)**

Valid object types:

- USER
- IDENTITY
- SUBCONFIG
- PROFILE
- VERSION

**Record 3: Object modifier (optional)**

Valid object modifiers:

- If the object type is VERSION, the exit version indicator (*vrn.nn*).
- If the object type is SUBCONFIG, the name of the subconfig, node, and identity (*subname node identname*).
- Otherwise, the name of the affected object type (*name*). The name can be any valid name for an object type, as defined by the CP user directory

**Record 4: Action (Optional)**

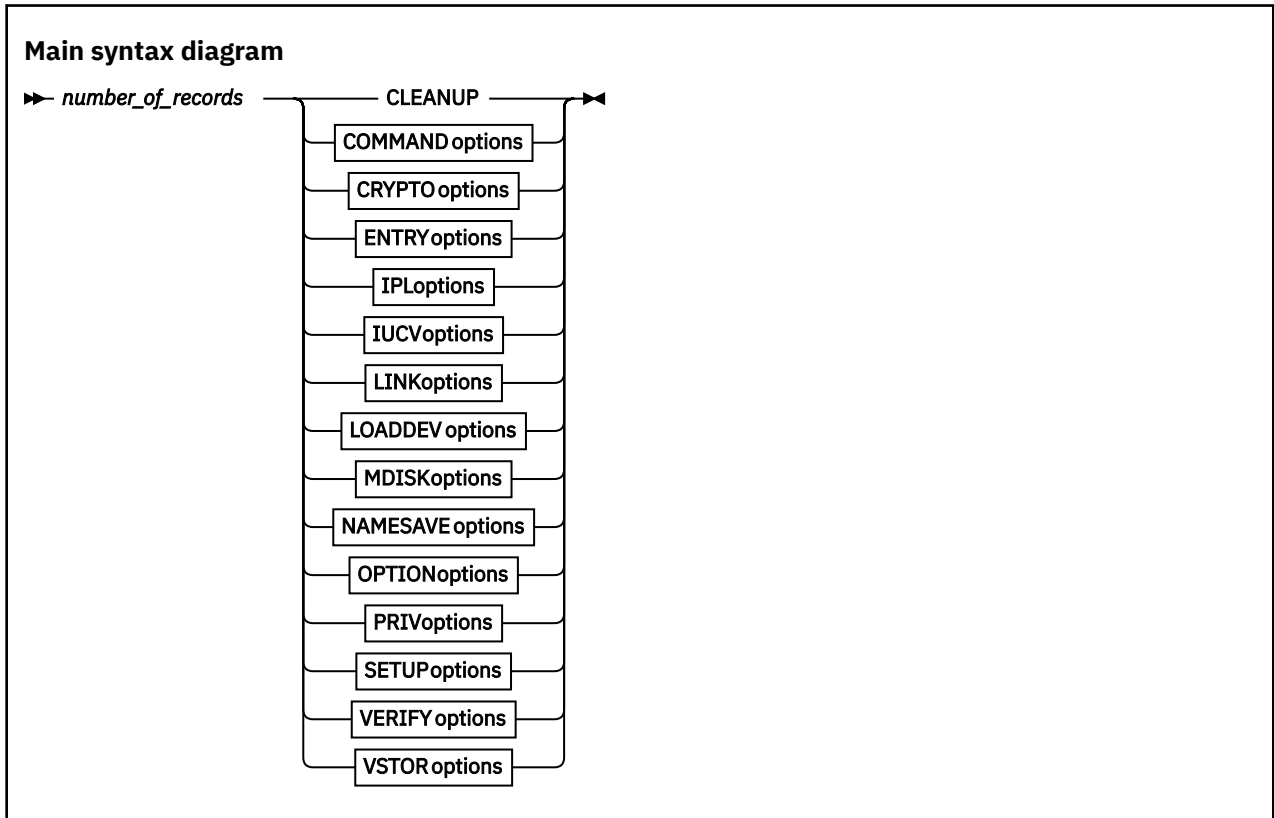
Valid actions:

- ADD
- DELETE
- REPLACE
- COPY
- GET
- UNLOCK

**Records 5 to n: Data (optional)**

The data that is needed to perform a given function. The data varies based on the action or object that is being manipulated.

## Options of the exit interface data stem



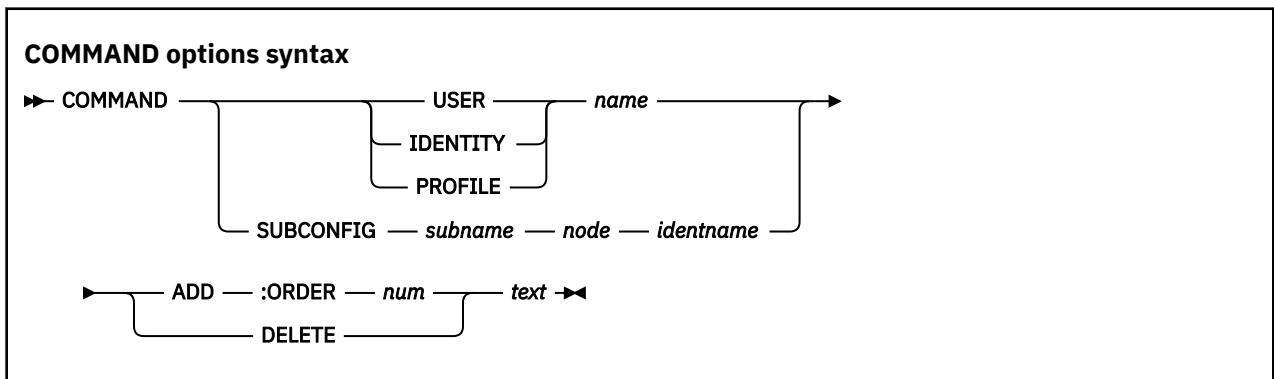
### CLEANUP

Use the CLEANUP keyword to clean up directory manager environment and files left on the work (A) disk.

It is anticipated that only one CLEANUP call will be made to an exit, during a given processing stage. Cleanup processing can be used to restore/undo SETUP environment changes made for handling directory change requests. There are no arguments for this keyword.

### COMMAND

Use the COMMAND options to add a new COMMAND statement or to delete an existing COMMAND statement.



where:

**name**

is the user, identity, or profile name.



**subname**

is the subconfig name. If the subconfig name is UNKNOWNSUB, the name must be determined from the *node* and *identname*.

**node**

is the name of the member that owns the subconfig, if running in an SSI, or an asterisk (\*), if running on a non-SSI (only valid with SUBCONFIG object type).

**identname**

is the name of the IDENTITY for the subconfig (only valid for SUBCONFIG object type).

**:ORDER**

indicates the ordinal value of the command follows (ADD only).

**num**

is the ordinal placement of the COMMAND statement (ADD only).

**text**

is the information to be appended to the keyword "COMMAND" to derive the statement to be added to or deleted from the directory.

**Notes:**

1. Only one command statement can be added or deleted at a time.
2. A new statement must be created for each command. Statements cannot be added to existing COMMAND statements.
3. The statement will be inserted as the *num*th COMMAND statement in the directory entity.
4. If there are no COMMAND statements in the directory entity, this statement will be added as the first COMMAND statement.
5. If *num* is larger than the number of COMMAND statements in the directory entity, this statement will be added following the last COMMAND statement.

**Examples:**

```
COMMAND USER pmain ADD :ORDER 1 SET RUN ON
COMMAND IDENTITY zvmlxapp ADD :ORDER 9 SET D80NECMD * OFF
COMMAND PROFILE tcpcmsu ADD :ORDER 3 SET RUN ON
COMMAND SUBCONFIG lohcos-1 memb2 lohcost ADD :ORDER 4 TERM LINEND #
COMMAND USER pmain DELETE SET RUN ON
COMMAND PROFILE ibmdflt DELETE SPOOL CONS START *
COMMAND IDENTITY zvmlxapp DELETE SET D80NECMD * OFF
COMMAND SUBCONFIG UNKNOWNSUB memb2 vmseivr DELETE SET RUN ON
```

**CRYPTO**

Use the CRYPTO options to add or delete a new CRYPTO APVIRTUAL control statement.

If ADD is specified:

- If no CRYPTO statements exist in the section we are trying to update, add the statement.
- If the CRYPTO APVIRTUAL statement exists in the section we are trying to update, return RC=1.
- If CRYPTO statements other than the APVIRTUAL statement exist in the section we are trying to update, return RC=2:

```
2 Pre-existing Crypto statements in directory. No action taken.
```

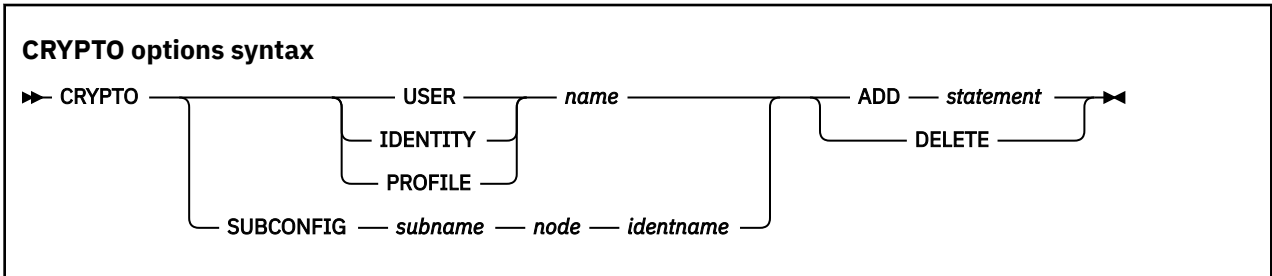
If DELETE is specified:

- If the only CRYPTO statement is APVIRTUAL, delete the statement.

## Upgrade installation directory manager exit interface

- If the CRYPTO APVIRTUAL statement does not exist in the section we are trying to update, return RC=1.
- If CRYPTO statements other than the APVIRTUAL statement exist in the section we are trying to update, return RC=2:

2 Pre-existing Crypto statements in directory. No action taken.



where:

**name**

is the user, identity, or profile name.

**subname**

is the subconfig name. If the subconfig name is UNKNOWNSUB, the name must be determined from the *node* and *identname*.

**node**

is the name of the member that owns the subconfig, if running in an SSI, or an asterisk (\*), if running on a non-SSI (only valid with SUBCONFIG object type).

**identname**

is the name of the IDENTITY for the subconfig (only valid for SUBCONFIG object type).

**statement**

is the CRYPTO APVIRTUAL control statement to be added.

**Examples:**

```
CRYPTO SUBCONFIG lohcos-1 memb2 lohcost ADD CRYPTO APVIRTUAL
CRYPTO SUBCONFIG UNKNOWNSUB memb2 lohcost ADD CRYPTO APVIRTUAL
CRYPTO USER pmain ADD CRYPTO APVIRTUAL
CRYPTO IDENTITY zvm1xapp ADD CRYPTO APVIRTUAL
CRYPTO PROFILE ibmdflt ADD CRYPTO APVIRTUAL
CRYPTO SUBCONFIG lohcos-1 memb2 lohcost DELETE CRYPTO APVIRTUAL
CRYPTO SUBCONFIG UNKNOWNSUB memb2 lohcost DELETE CRYPTO APVIRTUAL
CRYPTO USER pmain DELETE CRYPTO APVIRTUAL
CRYPTO IDENTITY zvm1xapp DELETE CRYPTO APVIRTUAL
CRYPTO PROFILE ibmdflt DELETE CRYPTO APVIRTUAL
```

## ENTRY

Use the ENTRY options to add a new USER, IDENTITY, or SUBCONFIG, exactly as defined, to delete an existing USER, IDENTITY, or SUBCONFIG, or to get, replace, lock, or unlock a userid entry.

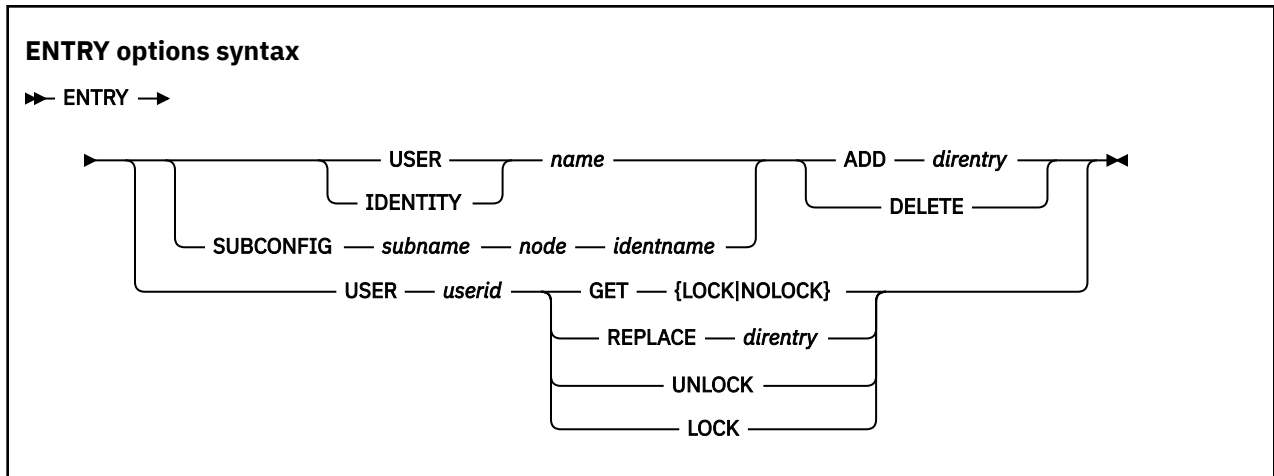
If ADD is specified, the records passed on the call contain the exact directory entry that should be added. No changes should be made to the records. If there are MDISK statements in the file, add the MDISK statements just as they are.

If GET is specified, the specified userid entry from the user directory will be obtained and written to the E disk as *userid* DIRECT. If LOCK is specified, the userid entry will be locked in the user directory. If NOLOCK is specified, the userid entry will *not* be locked.

If REPLACE is specified, the existing userid directory entry will be replaced with the directory entry passed on the call, and the userid will be unlocked.

If UNLOCK is specified, the userid will be unlocked.

If LOCK is specified, the user ID will be locked.



where:

**name**

is the user or identity name.

**subname**

is the subconfig name. If the subconfig name is UNKNOWNSUB, the name must be determined from the *node* and *identname*.

**node**

is the name of the member that owns the subconfig, if running in an SSI, or an asterisk (\*), if running on a non-SSI (only valid with SUBCONFIG object type).

**identname**

is the name of the IDENTITY for the subconfig (only valid for SUBCONFIG object type).

**direntry**

is the complete directory entry.

**userid**

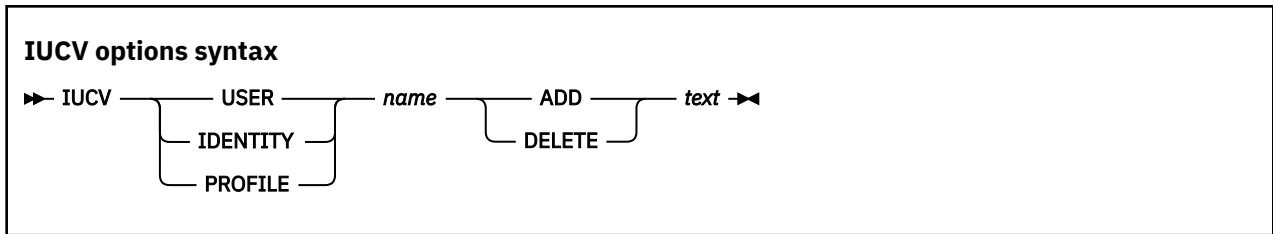
is the user ID.

**Notes:**

1. For IDENTITY:
  - a. When adding, the BUILD ON statement will not be included in the definition.
  - b. When deleting, an IDENTITY with a SUBCONFIG will never be deleted. The SUBCONFIG will always be deleted first.
2. For SUBCONFIG:
  - a. When adding, the BUILD ON statement will be added to the IDENTITY when the SUBCONFIG is defined.
  - b. When deleting, the BUILD ON statement will be removed from the IDENTITY when the SUBCONFIG is deleted.
3. For DELETE, the files on any disks that are deleted must *not* be erased.

**Examples:**





where:

***name***

is the user, identity or profile name.

***text***

is the information to be appended to the keyword "IUCV" to derive the statement to be added to or deleted from the directory.

**Notes:**

1. Only one IUCV statement can be added or deleted at a time.
2. When adding, a new IUCV statement must be created. The new information cannot be added to an existing statement.

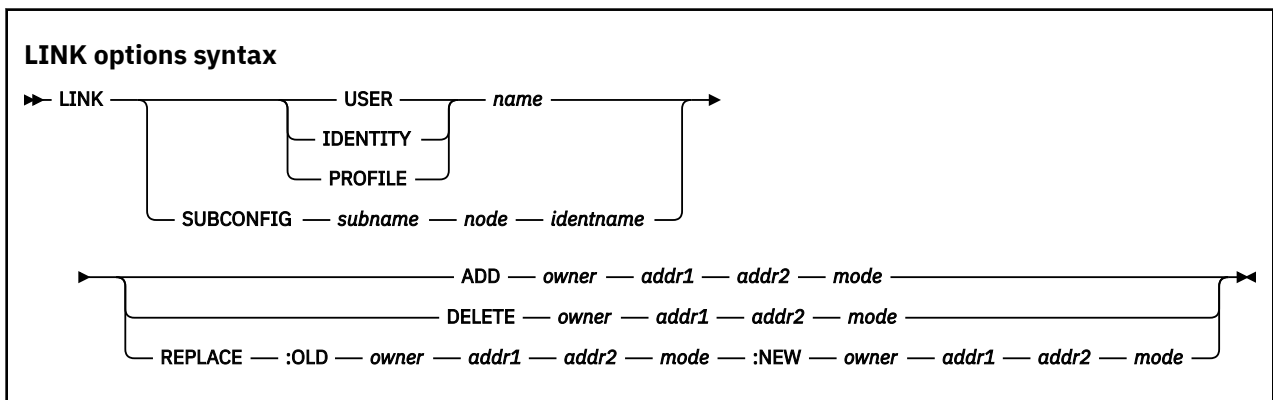
**Examples:**

```

IUCV USER pmain ADD *IDENT GATEANY GATEWAY REVOKE
IUCV IDENTITY avsvm ADD *MSG
IUCV PROFILE tcpcmsu ADD ALLOW
IUCV IDENTITY avsvm DELETE *IDENT GATEANY GATEWAY REVOKE
IUCV USER pmain DELETE *MSG
IUCV PROFILE tcpcmsu DELETE ALLOW
  
```

## LINK

Use the LINK options to add, delete, or replace a LINK statement.



where:

***name***

is the user, identity, or profile name.

***subname***

is the subconfig name. If the subconfig name is UNKNOWNSUB, the name must be determined from the *node* and *identname*.

***node***

is the name of the member that owns the subconfig, if running in an SSI, or an asterisk (\*), if running on a non-SSI (only valid with SUBCONFIG object type).

## Upgrade installation directory manager exit interface

### ***identname***

is the name of the IDENTITY for the subconfig (only valid for SUBCONFIG object type).

### ***owner***

is the user whose disk will be linked (for ADD), or whose disk is currently being linked (for DELETE or REPLACE).

### ***addr1***

is the disk that will be linked (for ADD), or is currently being linked (for DELETE or REPLACE).

### ***addr2***

is the address at which the disk will be linked (for ADD), or is currently being linked (for DELETE or REPLACE).

### ***mode***

is the link mode to be used (for ADD), or is the current link mode (for DELETE or REPLACE).

### **:OLD**

indicates the start of the information to be replaced (REPLACE only).

### **:NEW**

indicates the start of the replacement information (REPLACE only).

### ***naddr2***

is the new address at which the disk will be linked (REPLACE only).

### ***nmode***

is the new link mode to be used (REPLACE only).

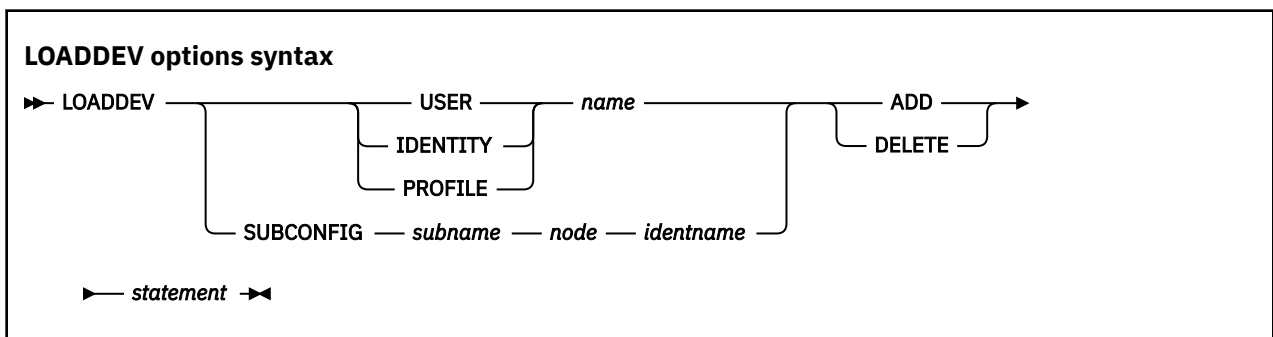
**Note:** The *owner* and *addr1* cannot change in a LINK REPLACE statement. Only the *addr2* and *mode* can be changed (to *naddr2* and *nmode*).

### **Examples:**

```
LINK USER cms1 ADD pmain 2cc 2cc wr
LINK SUBCONFIG maint-3 memb2 maint ADD maint730 201 201 rr
LINK SUBCONFIG UNKNOWNSUB memb2 maint ADD maint7310 201 201 rr
LINK USER bldcms DELETE maint 407 407 rr
LINK SUBCONFIG maint-3 memb2 maint DELETE maint730 201 201 rr
LINK SUBCONFIG UNKNOWNSUB memb2 maint DELETE maint730 201 201 rr
LINK USER bldcms REPLACE OLD maint 407 407 rr :NEW maint 407 409 rr
LINK SUBCONFIG maint-3 memb2 maint REPLACE :OLD maint730 201 201 rr :NEW
maint730 201 201 wr
LINK SUBCONFIG UNKNOWNSUB memb2 maint REPLACE :OLD maint730 201 201
rr :NEW maint730 201 199 rr
```

## LOADDEV

Use the LOADDEV options to add a new LOADDEV control statement or delete an existing LOADDEV control statement.



where:

**name**

is the user, identity, or profile name.

**subname**

is the subconfig name. If the subconfig name is UNKNOWNSUB, the name must be determined from the *node* and *identname*.

**node**

is the name of the member that owns the subconfig, if running in an SSI, or an asterisk (\*), if running on a non-SSI (only valid with SUBCONFIG object type).

**identname**

is the name of the IDENTITY for the subconfig (only valid for SUBCONFIG object type).

**statement**

is the LOADDEV control statement to be added or deleted.

**Examples:**

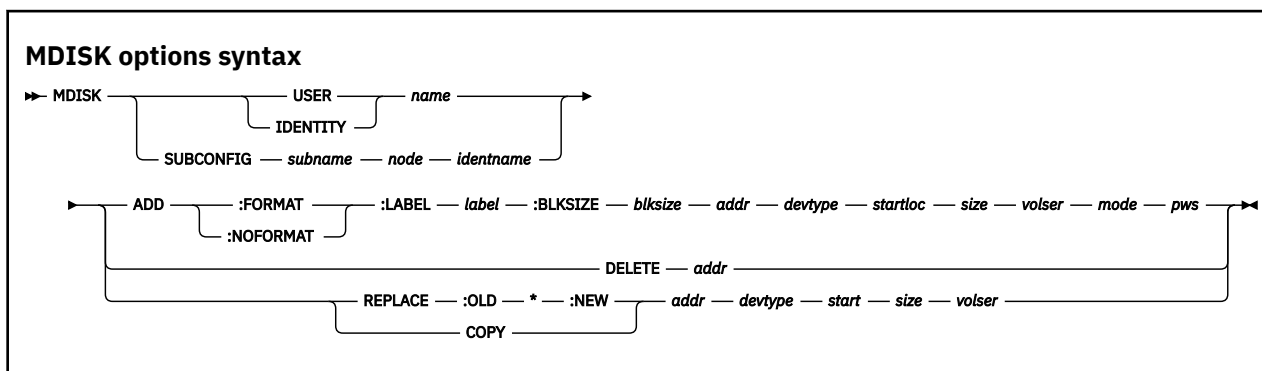
```
LOADDEV SUBCONFIG lohcos-1 memb2 lohcost ADD LOADDEV PORT 0
LOADDEV SUBCONFIG UNKNOWNSUB memb2 lohcost ADD LOADDEV BOOT 0
LOADDEV USER pmaint ADD LOADDEV LUN 0
LOADDEV IDENTITY zvm1xapp ADD LOADDEV SCPDATA 'text'
LOADDEV PROFILE ibmdflt ADD LOADDEV BR_LBA 0600
LOADDEV SUBCONFIG lohcos-1 memb2 lohcost DELETE LOADDEV PORT 0
LOADDEV SUBCONFIG UNKNOWNSUB memb2 lohcost DELETE LOADDEV BOOT 0
LOADDEV USER pmaint DELETE LOADDEV LUN 0
LOADDEV IDENTITY zvm1xapp DELETE LOADDEV SCPDATA 'text'
LOADDEV PROFILE ibmdflt DELETE LOADDEV BR_LBA 0600
```

**Note:** In the above examples, *text* could be anything up to 4096 (4K) characters of data.

## MDISK

Use the MDISK options to:

- Add a new MDISK.
- Delete an existing MDISK.
- Redefine the placement of an existing minidisk (to increase the size or move it to a different volume), with no data copied.
- Redefine the placement of an existing minidisk (to increase the size or move it to a different volume), with all data copied.



where:

**name**

is the user or identity name.

**subname**

is the subconfig name. If the subconfig name is UNKNOWNSUB, the name must be determined from the *node* and *identname*.

**node**

is the name of the member that owns the subconfig, if running in an SSI, or an asterisk (\*), if running on a non-SSI (only valid with SUBCONFIG object type).

**identname**

is the name of the IDENTITY for the subconfig (only valid for SUBCONFIG object type).

**:FORMAT**

specifies the disk should be formatted (ADD only).

**:NOFORMAT**

specifies the disk should be unformatted (ADD only).

**:LABEL *label***

specifies the label to put on the minidisk when formatting (ADD only).

**:BLKSIZE *blksize***

specifies the blocksize to use when formatting (ADD only).

***addr***

is the virtual device address of the minidisk being added, deleted, or defined.

***devtype***

is the device type of the minidisk to be added or defined (ADD, REPLACE, or COPY only).

***startloc***

is a starting cylinder/block number of the disk (ADD, REPLACE, or COPY only). If *startloc* is an integer, the provided extents will be used. If *startloc* is NULL, the directory manager will define the extents.

***size***

is the size in cylinders or blocks of the disk (ADD, REPLACE, or COPY only).

***volser***

is the label of the volume where the minidisk will reside (ADD, REPLACE, or COPY only).

***mode***

specifies the user's mode of access at logon (ADD only).

***pws***

optionally specifies the string to be used as passwords (ADD only).

**:OLD \* :NEW**

specifies to replace all old information with the new information that follows (REPLACE ONLY).

**Notes:**

1. For REPLACE and COPY, the *label* and *blksize* for the new minidisk should be the same as for the current minidisk. The access mode and passwords should also be the same as for the current minidisk.
2. For REPLACE, the contents of the current disk will *not* be copied to the new disk. For COPY, the contents of the current disk will be copied to the new disk.
3. For DELETE, the files on any disks that are deleted must *not* be erased.

**Examples:**

```
MDISK USER pmain ADD :NOFORMAT 199 3390 1050 20 m01w01 MR R199 W199 M199
MDISK SUBCONFIG lohcos-1 memb2 lohcost ADD :FORMAT :LABEL loh199 :BLKSIZE 2K
111 FB-512 18000 14400 vmc0m1 MR R111 W111 M111
MDISK SUBCONFIG UNKNOWNSUB memb2 lohcost ADD :FORMAT :LABEL loh199 :BLKSIZE 2K
111 FB-512 180000 14400 vmc0m1 MR R111 W111 M111
MDISK SUBCONFIG lohcos-1 memb2 lohcost ADD :FORMAT :LABEL loh199 :BLKSIZE 2K
199 3390 NULL 20 m01w01 MR R199 W199 M199
MDISK SUBCONFIG UNKNOWNSUB memb2 lohcost ADD :FORMAT :LABEL loh199 :BLKSIZE 2K
199 3390 NULL 20 m01w01 MR R199 W199 M199
MDISK USER pmain ADD :NOFORMAT 111 FB-512 NULL 14400 vmc0m1 MR R111 W111 M111
MDISK USER pmain DELETE 199
MDISK SUBCONFIG lohcos-1 memb2 lohcost DELETE 111
```







3. If a privilege class to be deleted is *not* in the directory entry, the calling program will be returned to with RC=1.

**Examples:**

```
PRIV IDENTITY lohcost ADD B
PRIV IDENTITY cmsuser ADD C
PRIV USER vmseirvp ADD F
PRIV IDENTITY lohcost DELETE B
PRIV IDENTITY cmsuser DELETE C
PRIV USER vmseirvp DELETE F
```

## SETUP

Use the SETUP options to set up and validate the environment necessary for the exit to perform directory update functions.

It is anticipated that only one SETUP call will be made to an exit, during a given processing stage. Setup processing can be used to establish a persistent environment for handling ensuing directory change requests. Actions performed would include:

- Validating the version.
- Validating that any required resources (such as disks) are available.
- Ensuring that the directory manager is running.
- Ensuring that the requesting user ID is authorized to perform directory functions.

### SETUP options syntax

```
▶▶ SETUP — VERSION — vrn.nn ◀◀
```

where:

***vrn.nn***

is the release level and update level of the z/VM release (730.01, for example).

**Note:** Upgrade processing will not preserve the exit's operating environment between calls to the exit. If the exit must link and access specific disks, that must be done every time the exit is called.

## VERIFY

Use the VERIFY options to verify that the exit supports the version level provided.

It is anticipated that only one VERIFY call will be made to an exit, to confirm compatibility for use during the upgrade process as a whole.

### VERIFY options syntax

```
▶▶ VERIFY — VERSION — vrn.nn ◀◀
```

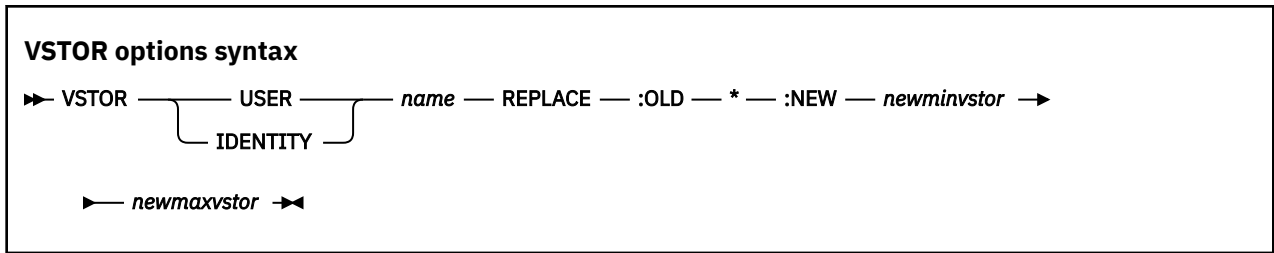
where:

***vrn.nn***

is the release level and update level of the z/VM release (730.01, for example).

## VSTOR

Use the VSTOR options to modify the virtual storage size of a user or identity.



where:

***name***

is the user or identity name.

***:OLD \* :NEW***

specifies to replace all old information with the new information that follows.

***newminvstor***

is the new minimum virtual storage value.

***newmaxvstor***

is the new maximum virtual storage value.

**Note:** If the current VSTOR values are larger than the new VSTOR values, they will not be changed. The calling program will be returned to with RC=1.

## Return codes

---

These are the return codes that the exit program should use when returning control to the calling installation upgrade utility. In general, 0 is a successful return code, return codes 1-7 are reserved for warning messages, and return codes of 8 and higher are used for an error condition that requires the upgrade process to stop.

The following defines the return codes that should be returned by the exit to the calling program. No other return codes should be used.

- 0** Function requested completed successfully.
- 1** Directory update was already in place so no action taken.
- 2** Pre-existing Crypto statements in directory. No action taken.
- 3-7** Reserved for future use. Do not use.
- 8** General error (not defined by the installation upgrade utilities).
- 9** Version not compatible.
- 10** Directory manager not functional.
- 11** Userid not authorized for directory manager command(s).
- 12** The requested update is not recognized.
- 13** Setup processing failed.
- 14** Rollback failure.
- 15** Logging failure.
- 19** Insufficient space.
- 20** Directory manager timeout.
- 21** Userid not found in directory.
- 22** Userid already locked.
- 23** Userid was not locked.
- 24** Unexpected error trying to GET userid.

## Coding sample for acquiring the contents of a data stem

---

The content of the data stem can be acquired using a CMS PIPELINE command, as illustrated in this REXX coding sample:

## Upgrade installation directory manager exit interface

```
/*-----*/
/* Obtain input arguments.                               */
/*-----*/
Parse Arg Input 1 CallerName Keyword DataStem DataCount .
...
/*-----*/
/* Acquire the data that pertains to the given keyword, via a CMS PIPELINE */
/* command, and perform basic confirmation that this command has succeeded. */
/*-----*/
'PIPE' '(Name Get_Stem_Data)' ,
      'Stem' DataStem '1' ,
      '| Stem DMX_data.'
If (rc <> 0) | (Symbol('DMX_DATA.0') <> 'VAR')
  Then Do
    /* Error Handling...*/
  End
```

## Notices

---

This information was developed for products and services offered in the US. This material might be available from IBM in other languages. However, you may be required to own a copy of the product or product version in that language in order to access it.

IBM may not offer the products, services, or features discussed in this document in other countries. Consult your local IBM representative for information on the products and services currently available in your area. Any reference to an IBM product, program, or service is not intended to state or imply that only that IBM product, program, or service may be used. Any functionally equivalent product, program, or service that does not infringe any IBM intellectual property right may be used instead. However, it is the user's responsibility to evaluate and verify the operation of any non-IBM product, program, or service.

IBM may have patents or pending patent applications covering subject matter described in this document. The furnishing of this document does not grant you any license to these patents. You can send license inquiries, in writing, to:

*IBM Director of Licensing  
IBM Corporation  
North Castle Drive, MD-NC119  
Armonk, NY 10504-1785  
US*

For license inquiries regarding double-byte character set (DBCS) information, contact the IBM Intellectual Property Department in your country or send inquiries, in writing, to:

*Intellectual Property Licensing  
Legal and Intellectual Property Law  
IBM Japan Ltd.  
19-21, Nihonbashi-Hakozakicho, Chuo-ku  
Tokyo 103-8510, Japan*

INTERNATIONAL BUSINESS MACHINES CORPORATION PROVIDES THIS PUBLICATION "AS IS" WITHOUT WARRANTY OF ANY KIND, EITHER EXPRESS OR IMPLIED, INCLUDING, BUT NOT LIMITED TO, THE IMPLIED WARRANTIES OF NON-INFRINGEMENT, MERCHANTABILITY OR FITNESS FOR A PARTICULAR PURPOSE. Some jurisdictions do not allow disclaimer of express or implied warranties in certain transactions, therefore, this statement may not apply to you.

This information could include technical inaccuracies or typographical errors. Changes are periodically made to the information herein; these changes will be incorporated in new editions of the publication. IBM may make improvements and/or changes in the product(s) and/or the program(s) described in this publication at any time without notice.

Any references in this information to non-IBM websites are provided for convenience only and do not in any manner serve as an endorsement of those websites. The materials at those websites are not part of the materials for this IBM product and use of those websites is at your own risk.

IBM may use or distribute any of the information you provide in any way it believes appropriate without incurring any obligation to you.

Licensees of this program who wish to have information about it for the purpose of enabling: (i) the exchange of information between independently created programs and other programs (including this one) and (ii) the mutual use of the information which has been exchanged, should contact:

*IBM Director of Licensing  
IBM Corporation  
North Castle Drive, MD-NC119  
Armonk, NY 10504-1785  
US*

Such information may be available, subject to appropriate terms and conditions, including in some cases, payment of a fee.

The licensed program described in this document and all licensed material available for it are provided by IBM under terms of the IBM Customer Agreement, IBM International Program License Agreement or any equivalent agreement between us.

The performance data and client examples cited are presented for illustrative purposes only. Actual performance results may vary depending on specific configurations and operating conditions.

Information concerning non-IBM products was obtained from the suppliers of those products, their published announcements or other publicly available sources. IBM has not tested those products and cannot confirm the accuracy of performance, compatibility or any other claims related to non-IBM products. Questions on the capabilities of non-IBM products should be addressed to the suppliers of those products.

Statements regarding IBM's future direction or intent are subject to change or withdrawal without notice, and represent goals and objectives only.

This information may contain examples of data and reports used in daily business operations. To illustrate them as completely as possible, the examples include the names of individuals, companies, brands, and products. All of these names are fictitious and any similarity to actual people or business enterprises is entirely coincidental.

#### COPYRIGHT LICENSE:

This information may contain sample application programs in source language, which illustrate programming techniques on various operating platforms. You may copy, modify, and distribute these sample programs in any form without payment to IBM, for the purposes of developing, using, marketing or distributing application programs conforming to the application programming interface for the operating platform for which the sample programs are written. These examples have not been thoroughly tested under all conditions. IBM, therefore, cannot guarantee or imply reliability, serviceability, or function of these programs. The sample programs are provided "AS IS", without warranty of any kind. IBM shall not be liable for any damages arising out of your use of the sample programs.

## Trademarks

---

IBM, the IBM logo, and [ibm.com](http://ibm.com)<sup>®</sup> are trademarks or registered trademarks of International Business Machines Corp., in the United States and/or other countries. Other product and service names might be trademarks of IBM or other companies. A current list of IBM trademarks is available on [IBM Copyright and trademark information](https://www.ibm.com/legal/copytrade) (<https://www.ibm.com/legal/copytrade>).

Adobe is a registered trademark of Adobe Systems Incorporated in the United States, and/or other countries.

Java<sup>™</sup> and all Java-based trademarks and logos are trademarks of Sun Microsystems, Inc. in the United States, other countries, or both.

The registered trademark Linux is used pursuant to a sublicense from the Linux Foundation, the exclusive licensee of Linus Torvalds, owner of the mark on a world-wide basis.

Microsoft and Windows are trademarks of Microsoft Corporation in the United States, other countries, or both.

UNIX is a registered trademark of The Open Group in the United States and other countries.

Other company, product, or service names may be trademarks or service marks of others.

## Terms and conditions for product documentation

---

Permissions for the use of these publications are granted subject to the following terms and conditions.



## Applicability

These terms and conditions are in addition to any terms of use for the IBM website.

## Personal use

You may reproduce these publications for your personal, noncommercial use provided that all proprietary notices are preserved. You may not distribute, display or make derivative work of these publications, or any portion thereof, without the express consent of IBM.

## Commercial use

You may reproduce, distribute and display these publications solely within your enterprise provided that all proprietary notices are preserved. You may not make derivative works of these publications, or reproduce, distribute or display these publications or any portion thereof outside your enterprise, without the express consent of IBM.

## Rights

Except as expressly granted in this permission, no other permissions, licenses or rights are granted, either express or implied, to the publications or any information, data, software or other intellectual property contained therein.

IBM reserves the right to withdraw the permissions granted herein whenever, in its discretion, the use of the publications is detrimental to its interest or, as determined by IBM, the above instructions are not being properly followed.

You may not download, export or re-export this information except in full compliance with all applicable laws and regulations, including all United States export laws and regulations.

IBM MAKES NO GUARANTEE ABOUT THE CONTENT OF THESE PUBLICATIONS. THE PUBLICATIONS ARE PROVIDED "AS-IS" AND WITHOUT WARRANTY OF ANY KIND, EITHER EXPRESSED OR IMPLIED, INCLUDING BUT NOT LIMITED TO IMPLIED WARRANTIES OF MERCHANTABILITY, NON-INFRINGEMENT, AND FITNESS FOR A PARTICULAR PURPOSE.

## IBM online privacy statement

---

IBM Software products, including software as a service solutions, ("Software Offerings") may use cookies or other technologies to collect product usage information, to help improve the end user experience, to tailor interactions with the end user, or for other purposes. In many cases no personally identifiable information is collected by the Software Offerings. Some of our Software Offerings can help enable you to collect personally identifiable information. If this Software Offering uses cookies to collect personally identifiable information, specific information about this offering's use of cookies is set forth below.

This Software Offering does not use cookies or other technologies to collect personally identifiable information.

If the configurations deployed for this Software Offering provide you as customer the ability to collect personally identifiable information from end users via cookies and other technologies, you should seek your own legal advice about any laws applicable to such data collection, including any requirements for notice and consent.

For more information about the use of various technologies, including cookies, for these purposes, see:

- The section entitled **IBM Websites** at [IBM Privacy Statement](https://www.ibm.com/privacy) (<https://www.ibm.com/privacy>)
- [Cookies and Similar Technologies](https://www.ibm.com/privacy#Cookies_and_Similar_Technologies) ([https://www.ibm.com/privacy#Cookies\\_and\\_Similar\\_Technologies](https://www.ibm.com/privacy#Cookies_and_Similar_Technologies))



## Bibliography

---

This topic lists the publications in the z/VM library. For abstracts of the z/VM publications, see *Abstracts of the z/VM base product publications* and *Abstracts of the z/VM optional feature publications* in *z/VM: General Information*.

### Where to get z/VM information

---

The current z/VM product documentation is available in *IBM Documentation - z/VM* (<https://www.ibm.com/docs/en/zvm>).

For lists of additional sources of information about z/VM, see *Where to get information about z/VM* in *z/VM: General Information*.

### z/VM base library

---

#### Overview

- *z/VM: License Information*, GI13-4377
- *z/VM: General Information*, GC24-6286

#### Installation, migration, and service

- *z/VM: Installation Guide*, GC24-6292
- *z/VM: Migration Guide*, GC24-6294
- *z/VM: Service Guide*, GC24-6325
- *z/VM: VMSES/E Introduction and Reference*, GC24-6336

#### Planning and administration

- *z/VM: CMS File Pool Planning, Administration, and Operation*, SC24-6261
- *z/VM: CMS Planning and Administration*, SC24-6264
- *z/VM: Connectivity*, SC24-6267
- *z/VM: CP Planning and Administration*, SC24-6271
- *z/VM: Getting Started with Linux on IBM Z*, SC24-6287
- *z/VM: Group Control System*, SC24-6289
- *z/VM: I/O Configuration*, SC24-6291
- *z/VM: Running Guest Operating Systems*, SC24-6321
- *z/VM: Saved Segments Planning and Administration*, SC24-6322
- *z/VM: Secure Configuration Guide*, SC24-6323

#### Customization and tuning

- *z/VM: CP Exit Customization*, SC24-6269
- *z/VM: Performance*, SC24-6301

#### Operation and use

- *z/VM: CMS Commands and Utilities Reference*, SC24-6260
- *z/VM: CMS Primer*, SC24-6265

- [z/VM: CMS User's Guide](#), SC24-6266
- [z/VM: CP Commands and Utilities Reference](#), SC24-6268
- [z/VM: System Operation](#), SC24-6326
- [z/VM: Virtual Machine Operation](#), SC24-6334
- [z/VM: XEDIT Commands and Macros Reference](#), SC24-6337
- [z/VM: XEDIT User's Guide](#), SC24-6338

## Application programming

- [z/VM: CMS Application Development Guide](#), SC24-6256
- [z/VM: CMS Application Development Guide for Assembler](#), SC24-6257
- [z/VM: CMS Application Multitasking](#), SC24-6258
- [z/VM: CMS Callable Services Reference](#), SC24-6259
- [z/VM: CMS Macros and Functions Reference](#), SC24-6262
- [z/VM: CMS Pipelines User's Guide and Reference](#), SC24-6252
- [z/VM: CP Programming Services](#), SC24-6272
- [z/VM: CPI Communications User's Guide](#), SC24-6273
- [z/VM: ESA/XC Principles of Operation](#), SC24-6285
- [z/VM: Language Environment User's Guide](#), SC24-6293
- [z/VM: OpenExtensions Advanced Application Programming Tools](#), SC24-6295
- [z/VM: OpenExtensions Callable Services Reference](#), SC24-6296
- [z/VM: OpenExtensions Commands Reference](#), SC24-6297
- [z/VM: OpenExtensions POSIX Conformance Document](#), GC24-6298
- [z/VM: OpenExtensions User's Guide](#), SC24-6299
- [z/VM: Program Management Binder for CMS](#), SC24-6304
- [z/VM: Reusable Server Kernel Programmer's Guide and Reference](#), SC24-6313
- [z/VM: REXX/VM Reference](#), SC24-6314
- [z/VM: REXX/VM User's Guide](#), SC24-6315
- [z/VM: Systems Management Application Programming](#), SC24-6327
- [z/VM: z/Architecture Extended Configuration \(z/XC\) Principles of Operation](#), SC27-4940

## Diagnosis

- [z/VM: CMS and REXX/VM Messages and Codes](#), GC24-6255
- [z/VM: CP Messages and Codes](#), GC24-6270
- [z/VM: Diagnosis Guide](#), GC24-6280
- [z/VM: Dump Viewing Facility](#), GC24-6284
- [z/VM: Other Components Messages and Codes](#), GC24-6300
- [z/VM: VM Dump Tool](#), GC24-6335

## **z/VM facilities and features**

---

### **Data Facility Storage Management Subsystem for z/VM**

- [z/VM: DFSMS/VM Customization](#), SC24-6274
- [z/VM: DFSMS/VM Diagnosis Guide](#), GC24-6275

- *z/VM: DFSMS/VM Messages and Codes*, GC24-6276
- *z/VM: DFSMS/VM Planning Guide*, SC24-6277
- *z/VM: DFSMS/VM Removable Media Services*, SC24-6278
- *z/VM: DFSMS/VM Storage Administration*, SC24-6279

### **Directory Maintenance Facility for z/VM**

- *z/VM: Directory Maintenance Facility Commands Reference*, SC24-6281
- *z/VM: Directory Maintenance Facility Messages*, GC24-6282
- *z/VM: Directory Maintenance Facility Tailoring and Administration Guide*, SC24-6283

### **Open Systems Adapter**

- *Open Systems Adapter-Express Customer's Guide and Reference* ([https://www.ibm.com/docs/en/SSLTBW\\_2.3.0/pdf/iaa2z1f0.pdf](https://www.ibm.com/docs/en/SSLTBW_2.3.0/pdf/iaa2z1f0.pdf)), SA22-7935
- *Open Systems Adapter Integrated Console Controller User's Guide* ([https://www.ibm.com/docs/en/SSLTBW\\_2.3.0/pdf/SC27-9003-02.pdf](https://www.ibm.com/docs/en/SSLTBW_2.3.0/pdf/SC27-9003-02.pdf)), SC27-9003
- *Open Systems Adapter-Express ICC 3215 Support* (<https://www.ibm.com/docs/en/zos/2.3.0?topic=osa-icc-3215-support>), SA23-2247
- *Open Systems Adapter/Support Facility on the Hardware Management Console* ([https://www.ibm.com/docs/en/SSLTBW\\_2.3.0/pdf/SC14-7580-02.pdf](https://www.ibm.com/docs/en/SSLTBW_2.3.0/pdf/SC14-7580-02.pdf)), SC14-7580

### **Performance Toolkit for z/VM**

- *z/VM: Performance Toolkit Guide*, SC24-6302
- *z/VM: Performance Toolkit Reference*, SC24-6303

### **RACF Security Server for z/VM**

- *z/VM: RACF Security Server Auditor's Guide*, SC24-6305
- *z/VM: RACF Security Server Command Language Reference*, SC24-6306
- *z/VM: RACF Security Server Diagnosis Guide*, GC24-6307
- *z/VM: RACF Security Server General User's Guide*, SC24-6308
- *z/VM: RACF Security Server Macros and Interfaces*, SC24-6309
- *z/VM: RACF Security Server Messages and Codes*, GC24-6310
- *z/VM: RACF Security Server Security Administrator's Guide*, SC24-6311
- *z/VM: RACF Security Server System Programmer's Guide*, SC24-6312
- *z/VM: Security Server RACROUTE Macro Reference*, SC24-6324

### **Remote Spooling Communications Subsystem Networking for z/VM**

- *z/VM: RSCS Networking Diagnosis*, GC24-6316
- *z/VM: RSCS Networking Exit Customization*, SC24-6317
- *z/VM: RSCS Networking Messages and Codes*, GC24-6318
- *z/VM: RSCS Networking Operation and Use*, SC24-6319
- *z/VM: RSCS Networking Planning and Configuration*, SC24-6320

### **TCP/IP for z/VM**

- *z/VM: TCP/IP Diagnosis Guide*, GC24-6328

- *z/VM: TCP/IP LDAP Administration Guide*, SC24-6329
- *z/VM: TCP/IP Messages and Codes*, GC24-6330
- *z/VM: TCP/IP Planning and Customization*, SC24-6331
- *z/VM: TCP/IP Programmer's Reference*, SC24-6332
- *z/VM: TCP/IP User's Guide*, SC24-6333

## Prerequisite products

---

### Device Support Facilities

- Device Support Facilities (ICKDSF): User's Guide and Reference ([https://www.ibm.com/docs/en/SSLTBW\\_2.5.0/pdf/ickug00\\_v2r5.pdf](https://www.ibm.com/docs/en/SSLTBW_2.5.0/pdf/ickug00_v2r5.pdf)), GC35-0033

### Environmental Record Editing and Printing Program

- Environmental Record Editing and Printing Program (EREP): Reference ([https://www.ibm.com/docs/en/SSLTBW\\_2.5.0/pdf/ifc2000\\_v2r5.pdf](https://www.ibm.com/docs/en/SSLTBW_2.5.0/pdf/ifc2000_v2r5.pdf)), GC35-0152
- Environmental Record Editing and Printing Program (EREP): User's Guide ([https://www.ibm.com/docs/en/SSLTBW\\_2.5.0/pdf/ifc1000\\_v2r5.pdf](https://www.ibm.com/docs/en/SSLTBW_2.5.0/pdf/ifc1000_v2r5.pdf)), GC35-0151

## Related products

---

### z/OS

- *Common Programming Interface Communications Reference* (<https://publibfp.dhe.ibm.com/epubs/pdf/c2643999.pdf>), SC26-4399
- z/OS and z/VM: Hardware Configuration Definition Messages ([https://www.ibm.com/docs/en/SSLTBW\\_2.5.0/pdf/cbdrm100\\_v2r5.pdf](https://www.ibm.com/docs/en/SSLTBW_2.5.0/pdf/cbdrm100_v2r5.pdf)), SC34-2668
- z/OS and z/VM: Hardware Configuration Manager User's Guide ([https://www.ibm.com/docs/en/SSLTBW\\_2.5.0/pdf/eequ100\\_v2r5.pdf](https://www.ibm.com/docs/en/SSLTBW_2.5.0/pdf/eequ100_v2r5.pdf)), SC34-2670
- z/OS: Network Job Entry (NJE) Formats and Protocols ([https://www.ibm.com/docs/en/SSLTBW\\_2.5.0/pdf/hasa600\\_v2r5.pdf](https://www.ibm.com/docs/en/SSLTBW_2.5.0/pdf/hasa600_v2r5.pdf)), SA32-0988
- z/OS: IBM Tivoli Directory Server Plug-in Reference for z/OS ([https://www.ibm.com/docs/en/SSLTBW\\_2.5.0/pdf/glpa300\\_v2r5.pdf](https://www.ibm.com/docs/en/SSLTBW_2.5.0/pdf/glpa300_v2r5.pdf)), SA76-0169
- z/OS: Language Environment Concepts Guide ([https://www.ibm.com/docs/en/SSLTBW\\_2.5.0/pdf/ceea800\\_v2r5.pdf](https://www.ibm.com/docs/en/SSLTBW_2.5.0/pdf/ceea800_v2r5.pdf)), SA38-0687
- z/OS: Language Environment Debugging Guide ([https://www.ibm.com/docs/en/SSLTBW\\_2.5.0/pdf/ceea100\\_v2r5.pdf](https://www.ibm.com/docs/en/SSLTBW_2.5.0/pdf/ceea100_v2r5.pdf)), GA32-0908
- z/OS: Language Environment Programming Guide ([https://www.ibm.com/docs/en/SSLTBW\\_2.5.0/pdf/ceea200\\_v2r5.pdf](https://www.ibm.com/docs/en/SSLTBW_2.5.0/pdf/ceea200_v2r5.pdf)), SA38-0682
- z/OS: Language Environment Programming Reference ([https://www.ibm.com/docs/en/SSLTBW\\_2.5.0/pdf/ceea300\\_v2r5.pdf](https://www.ibm.com/docs/en/SSLTBW_2.5.0/pdf/ceea300_v2r5.pdf)), SA38-0683
- z/OS: Language Environment Runtime Messages ([https://www.ibm.com/docs/en/SSLTBW\\_2.5.0/pdf/ceea900\\_v2r5.pdf](https://www.ibm.com/docs/en/SSLTBW_2.5.0/pdf/ceea900_v2r5.pdf)), SA38-0686
- z/OS: Language Environment Writing Interlanguage Communication Applications ([https://www.ibm.com/docs/en/SSLTBW\\_2.5.0/pdf/ceea400\\_v2r5.pdf](https://www.ibm.com/docs/en/SSLTBW_2.5.0/pdf/ceea400_v2r5.pdf)), SA38-0684
- z/OS: MVS Program Management Advanced Facilities ([https://www.ibm.com/docs/en/SSLTBW\\_2.5.0/pdf/ieab200\\_v2r5.pdf](https://www.ibm.com/docs/en/SSLTBW_2.5.0/pdf/ieab200_v2r5.pdf)), SA23-1392
- z/OS: MVS Program Management User's Guide and Reference ([https://www.ibm.com/docs/en/SSLTBW\\_2.5.0/pdf/ieab100\\_v2r5.pdf](https://www.ibm.com/docs/en/SSLTBW_2.5.0/pdf/ieab100_v2r5.pdf)), SA23-1393

## **XL C++ for z/VM**

- [XL C/C++ for z/VM: Runtime Library Reference, SC09-7624](#)
- [XL C/C++ for z/VM: User's Guide, SC09-7625](#)





---

# Index

## A

audience [xiii](#)

## B

backing up

    CMS to tape [265](#)

    CP to DASD [271](#)

    CP to tape [267](#)

    named saved systems to tape [265](#)

backup copy

    of system being upgraded [160](#), [236](#)

## C

CMS (Conversational Monitor System)

    saved systems

        backing up to tape [265](#)

considerations

    external security manager [166](#)

conventions [xiv](#)

CP (Control Program)

    backing up to DASD [271](#)

    backing up to tape [267](#)

## D

DDRXA (DASD Dump/Restore Program)

    restoring the system to disk [275](#)

default system information [81](#)

Device Support Facilities (ICKDSF)

    product information [95](#)

dump device

    creating stand-alone [86](#)

DVDPRIME command

    using [32](#), [36](#), [45](#)

## E

ESM

    considerations [166](#)

exit interface data stem

    contents [346](#)

    options [348](#)

external security manager

    considerations [166](#)

## F

file recovery [277](#)

FTP server

    using to receive and load files  
    to minidisk [283](#)

## I

IBM Docs [xiii](#)

IBM Documentation [xiii](#)

IBM Knowledge Center [xiii](#)

IBM-supplied user IDs [297](#)

ICKDSF

    product information [95](#)

INSTALL

    running [53](#), [67](#)

installation

    planning [7](#)

    procedures

        choosing [3](#), [7](#), [99](#), [213](#)

        traditional [5](#)

        upgrade [99](#), [213](#)

installation procedure

    selecting [8](#)

installation TCP/IP configuration worksheet [286](#)

installation volumes

    verifying availability [51](#)

installation worksheets

    completing [12](#)

INSTPLAN

    running for non-SSI installation  
    [48](#)

    running for SSI installation [62](#)

    running for upgrade [148](#), [230](#)

INSTPROC

    running for upgrade [228](#)

INSTUPGR

    using to make STAGE2 system changes [188](#), [241](#)

ipling z/VM from an SCSI device [295](#)

## L

licensed products and features, preinstalled

    Directory Maintenance Facility [96](#)

    HCD and HCM [96](#)

    ICKDSF [96](#)

    Performance Toolkit for z/VM [96](#)

    RACF Security Server [97](#)

    RSCS Networking [97](#)

    TCP/IP [97](#)

## M

messages

    in sysname \$WRNFILE [195](#), [245](#)

MIGR51D command [255](#)

minidisk

    recovering [277](#)

## N

new system

new system (*continued*)  
installing [53, 67](#)  
non-SSI installation  
running INSTPLAN for [48](#)

## O

obsolete release  
removing [210, 251](#)

## P

post-upgrade tasks  
performing [206](#)  
procedure 1, z/VM system tape installation  
CMS nucleus defaults [259](#)  
CP system configuration file defaults [259](#)  
GCS defaults [260](#)  
procedure 2, z/VM system tape installation  
CMS nucleus defaults [259](#)  
CP system configuration file defaults [259](#)  
GCS defaults [260](#)  
production workload  
stopping [182, 239](#)  
purpose of this document [xiii](#)

## Q

QUERY NSS command  
saved segment definitions [261](#)

## R

RACF/VM database  
converting [178](#)  
RAMDISK  
loading [24](#)  
recovering a file [277](#)  
recovering a minidisk [277](#)  
recovery file pool  
defaults [261](#)  
requirements  
complying with [9](#)  
reviewing [9](#)

## S

saved segments  
on z/VM system [261](#)  
SCSI device  
ipling z/VM from [295](#)  
service  
determining RSU level for ordering [253](#)  
supported components, features, and products [253](#)  
SFS (Shared File System)  
file pool defaults [261](#)  
SSI installation  
running INSTPLAN for [62](#)  
STAGE2 system changes  
using INSTUPGR to make [188, 241](#)  
STAGE2 table  
generating [186, 240](#)  
stand-alone dump device

stand-alone dump device (*continued*)  
creating [86](#)  
summary of changes [xvii](#)  
system  
backing up [182, 239](#)  
system being upgraded  
creating backup copy [160, 236](#)  
system generation  
backing up  
named saved systems to tape [265](#)  
system to DASD [271](#)  
system to tape [267](#)  
system information  
default [81](#)

## T

tasks  
post-upgrade  
performing [206](#)  
TCP/IP  
configuring for initial network connection [92](#)  
terminal emulator  
using to upload files [281](#)  
terminology [xiv](#)  
trademarks [364](#)  
traditional installation  
worksheets [17](#)

## U

upgrade  
completing [202, 248](#)  
upgrade installation  
BACKOUT [339](#)  
DASD requirements [111, 217](#)  
member 1 worksheets [126](#)  
multi-member worksheets [225](#)  
planning [105, 215](#)  
requirements [108, 216](#)  
source [106](#)  
STAGE1 [159, 235](#)  
STAGE2 [186, 240](#)  
system updates [114, 218](#)  
upgraded system  
shutting down and IPLing [196, 246](#)  
user file pool  
defaults [261](#)  
user ID  
setting up for installation  
from DVD or USB flash drive [30](#)  
from FTP server directory [34](#)  
from VM minidisk [38](#)  
user IDs  
IBM-supplied [297](#)  
utility tape  
creating IPLable  
DDR [87](#)  
ICKDSF [88](#)

## V

VMPSFS

- VMPSFS (*continued*)
  - file pool defaults [261](#)
- VMSYS
  - file pool defaults [261](#)
- VMSYSR
  - file pool defaults [261](#)
- VMSYSU
  - file pool defaults [261](#)
- volumes
  - verifying availability for installation [51](#)
- VSE/VSAM (Virtual Storage Extended/Virtual Storage Access Method)
  - default user IDs requiring [260](#)

## W

- worksheets
  - installation
    - completing [12](#)
  - installation TCP/IP configuration [286](#)
  - traditional installation [17](#)
  - upgrade installation
    - member 1 [126](#)
    - multi-member [225](#)

## Z

- z/VM system DDR backup procedure
  - back up named saved systems [265](#)
  - restore z/VM system backup copy [273](#), [275](#)
  - store backup copy of z/VM system on tape [267](#), [271](#)
- z/VM system tape installation procedure
  - procedure 1
    - CMS nucleus defaults [259](#)
    - CP system configuration file defaults [259](#)
    - GCS defaults [260](#)
  - procedure 2
    - CMS nucleus defaults [259](#)
    - CP system configuration file defaults [259](#)
    - GCS defaults [260](#)







Product Number: 5741-A09

Printed in USA

GC24-6292-04

